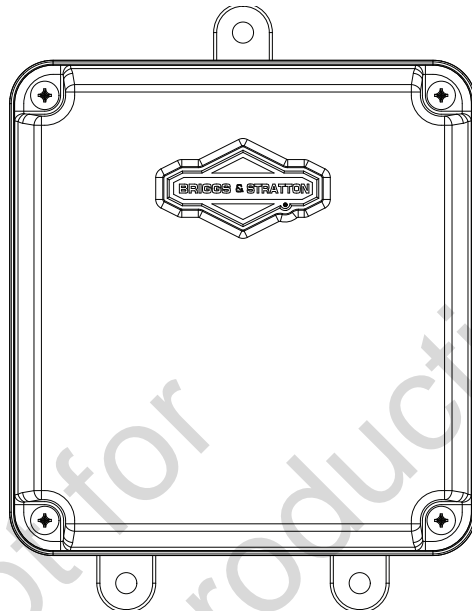


Installation and Operation Instructions

Wireless Gateway Module for use with Amplify™ Power Management System



Questions?

Help is just a moment away!

Call our Helpline:

(800) 732-2989 M-F 8-5 CT



Save These Instructions

Important Safety Instructions

SAVE THESE INSTRUCTIONS - This manual contains important instructions that should be followed during installation and maintenance of the generator and batteries.

Safety Symbols and Meanings



Electrical Shock



Read Manual

⚠ The safety alert symbol indicates a potential personal injury hazard. A signal word (**DANGER**, **WARNING**, or **CAUTION**) is used with the alert symbol to designate a degree or level of hazard seriousness. A safety symbol may be used to represent the type of hazard. The signal word **NOTICE** is used to address practices not related to personal injury.

⚠ **DANGER** indicates a hazard which, if not avoided, will result in death or serious injury.

⚠ **WARNING** indicates a hazard which, if not avoided, could result in death or serious injury.

⚠ **CAUTION** indicates a hazard which, if not avoided, could result in minor or moderate injury.

NOTICE Addresses practices not related to personal injury

The manufacturer cannot anticipate every circumstance that might involve a hazard. The warnings in this manual, and the tags and decals affixed to the unit are, therefore, not all-inclusive. If you use a procedure, work method or operating technique that the manufacturer does not specifically recommend, you must satisfy yourself that it is safe for you and others. You must also make sure that the procedure, work method or operating technique that you choose does not render the generator system unsafe.

⚠ **WARNING** This product contains lead and lead compounds, known to the state of California to cause birth defects or other reproductive harm. Wash your hands after handling this product. Cancer and Reproductive Harm - www.P65Warnings.ca.gov

⚠ **WARNING** Shock Hazard. Installing low and high voltage wire in same conduit could result in death, serious injury and/or property damage.

- Do not run low and high voltage wire in the same conduit unless the insulation rating on ALL wiring is rated for 600V. See NEC for more information.

⚠ **WARNING** Equipment contains high voltage that could cause electrocution resulting in death or serious injury.



- Despite the safe design of the system, operating this equipment imprudently, neglecting its maintenance or being careless could result in death or serious injury.

⚠ **WARNING** Failure to properly ground equipment could cause electrocution resulting in death or serious injury.



- Do not touch bare wires.
- Do not use equipment with worn, frayed, bare or otherwise damaged wiring.
- Do not handle electrical cords while standing in water, while barefoot, or while hands or feet are wet.
- If you must work around a unit while it is operating, stand on an insulated dry surface to reduce shock hazard.
- Do not allow unqualified persons or children to operate or service equipment.
- In case of an accident caused by electrical shock, immediately shut down all sources of electrical power and contact local authorities. Avoid direct contact with the victim.

NOTICE Improper treatment of equipment could damage it and shorten its life.

- Use equipment only for intended uses.
- If you have questions about intended use, ask dealer or contact Briggs & Stratton.
- Do not expose equipment to excessive moisture, dust, dirt, or corrosive vapors.
- Remain alert at all times while working on this equipment. Never work on the equipment when you are physically or mentally fatigued.
- If connected devices overheat, turn them off and turn off their circuit breaker/fuse.

NOTICE FCC Part 15 Information to User

Pursuant to part 15.21 of the FCC Rules, you are cautioned that changes or modifications not expressly approved by Briggs and Stratton could void your authority to operate the device.

This device complies with part 15 of the FCC Rules. Operation is subject to the following two conditions: (1) This device may not cause harmful interference, and (2) this device must accept any interference received, including interference that may cause undesired operation.

This equipment has been tested and found to comply with the limits for a Class B digital device, pursuant to part 15 of the FCC Rules. These limits are designed to provide reasonable protection against harmful interference in a residential installation. This equipment generates, uses and can radiate radio frequency energy and, if not installed and used in accordance with the instructions, may cause harmful interference to radio communications. However, there is no guarantee that interference will not occur in a particular installation. If this equipment does cause harmful interference to radio or television reception, which can be determined by turning the equipment off and on, the user is encouraged to try to correct the interference by one or more of the following measures:

- Reorient or relocate the receiving antenna.
- Increase the separation between the equipment and receiver.
- Connect the equipment into an outlet on a circuit different from that to which the receiver is connected.
- Consult the dealer or an experienced radio/TV technician for help.

NOTICE IC Information to User

This device complies with Industry Canada’s licence-exempt RSSs. Operation is subject to the following two conditions:

- (1) This device may not cause interference; and
- (2) This device must accept any interference, including interference that may cause undesired operation of the device.

NOTICE FCC RF Radiation Exposure Statement to User

This equipment complies with FCC radiation exposure limits set forth for an uncontrolled environment. End users must follow the specific operating instructions for satisfying RF exposure compliance. This device meets exposure limits as demonstrated in a RF Exposure Analysis. The device must be installed such that a minimum separation distance of 20 cm is maintained between the device and all persons at all times.

General Information

Equipment Description

This product is intended only for use as an optional generator-system wireless control source for the owner. It allows one to set priorities of assigned loads such as heating, refrigeration systems, and communication systems that are controlled by the generator. It also provides generator status information to the InfoHub™ Cloud.

Where To Find Us

You never have to look far to find support and service for your generator. Consult your Yellow Pages. There are many authorized service dealers worldwide that provide quality service. You can also contact Technical Service by phone at 800-732-2989 between 8:00 AM and 5:00 PM central time or click on Dealer Locator at www.briggsandstratton.com, which provides a list of authorized dealers.

Product Specifications

Rated Voltage..... 12V DC
 Normal Operating Range..... -20°F (-28.8°C) to 104°F (40°C)
 Weight0.81 lbs. (0.37 kg)

* This device is listed with UL (Underwriters Laboratories).

Please fill out the information below and keep your receipt to assist in unit identification for future purchase issues.

Model Number _____

Revision _____

Serial Number _____

Date Purchased _____

Before Installation

Only current licensed electrical professionals should attempt wireless module installations. Installations must strictly comply with all applicable codes, industry standards, laws, and regulations.

In some areas you may need electrical permits for installing wireless modules. The installer should check local codes and obtain the necessary permits before installing the module.

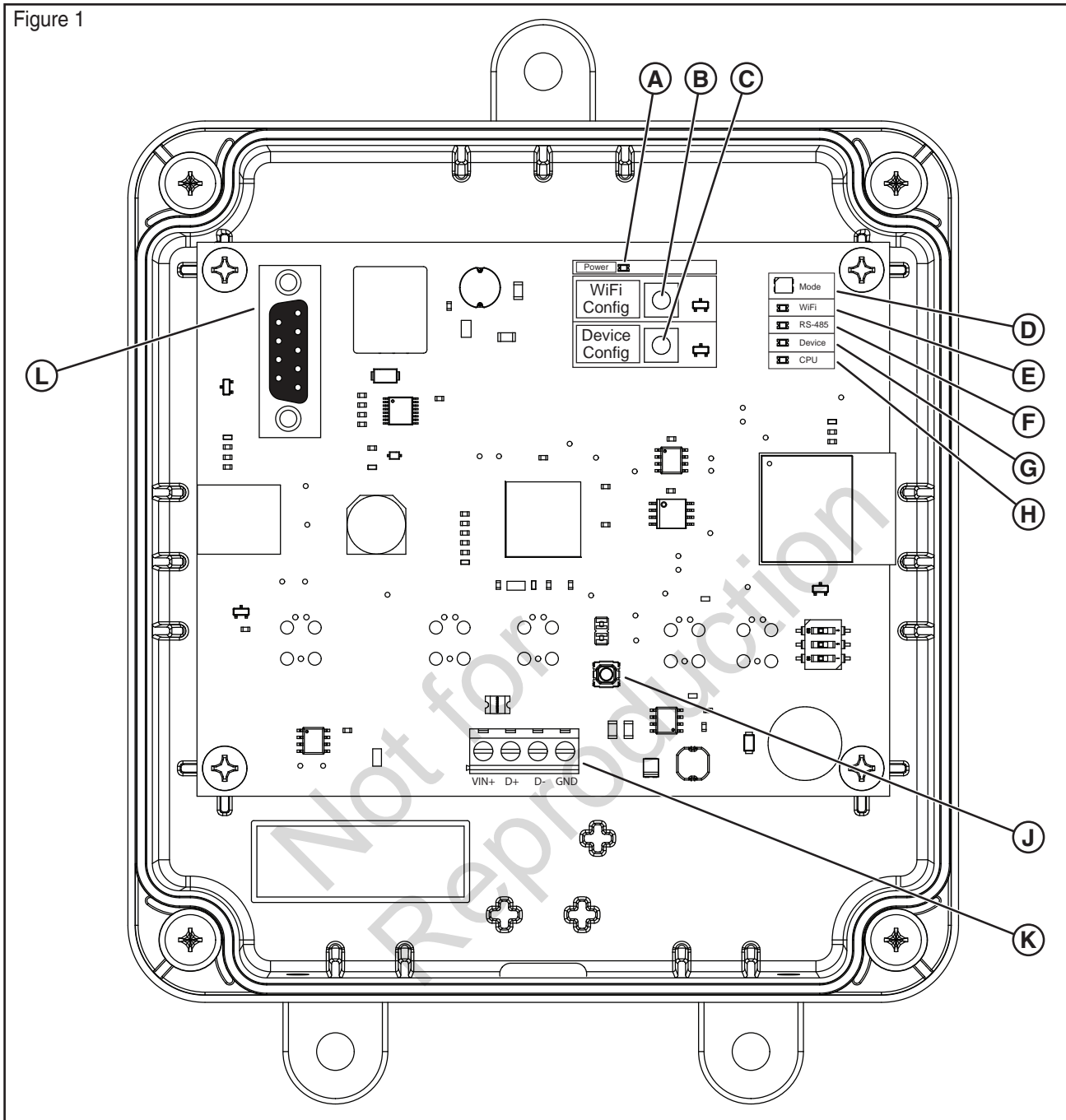
The gateway wireless module warranty is VOID unless the module is installed by licensed electrical professionals.

Installer Responsibilities

- Read and observe the safety instructions.
- Read and follow the instructions in this installation and operation manual.
- Installation must strictly comply with all applicable codes, industry standards, laws, and regulations.
- Allow sufficient room on all sides of the wireless module for maintenance and servicing.

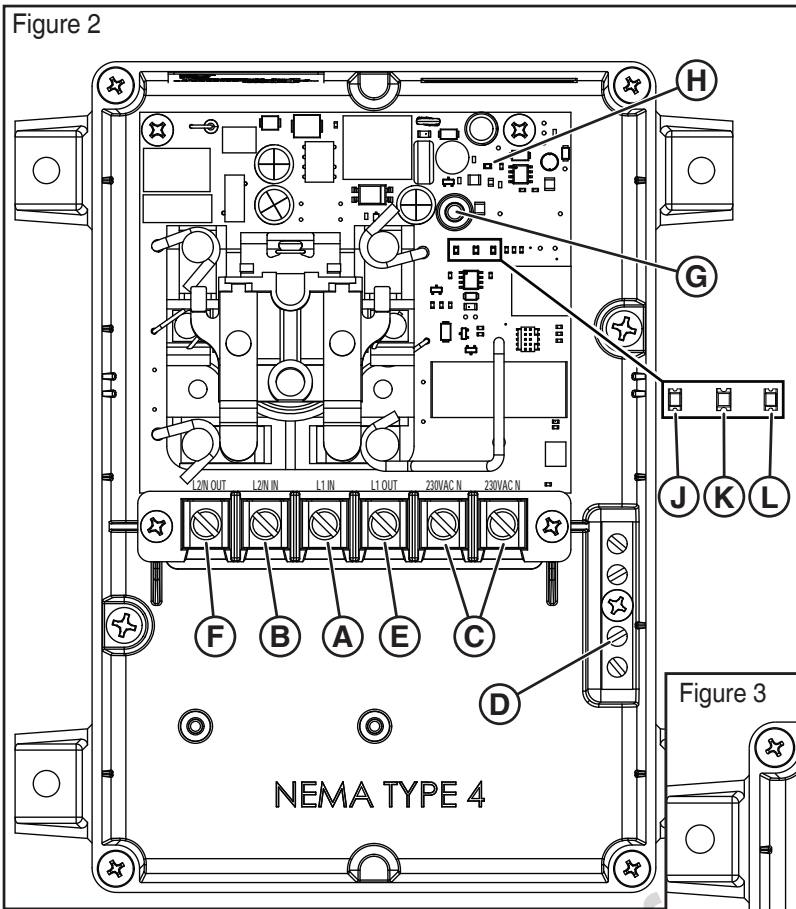
The wireless module can be installed wherever it is convenient and a good wireless signal is present, either an indoor or outdoor location. The wireless gateway module must be accessible for service. Discuss layout suggestions / changes with the owner before beginning the system installation process.

Figure 1



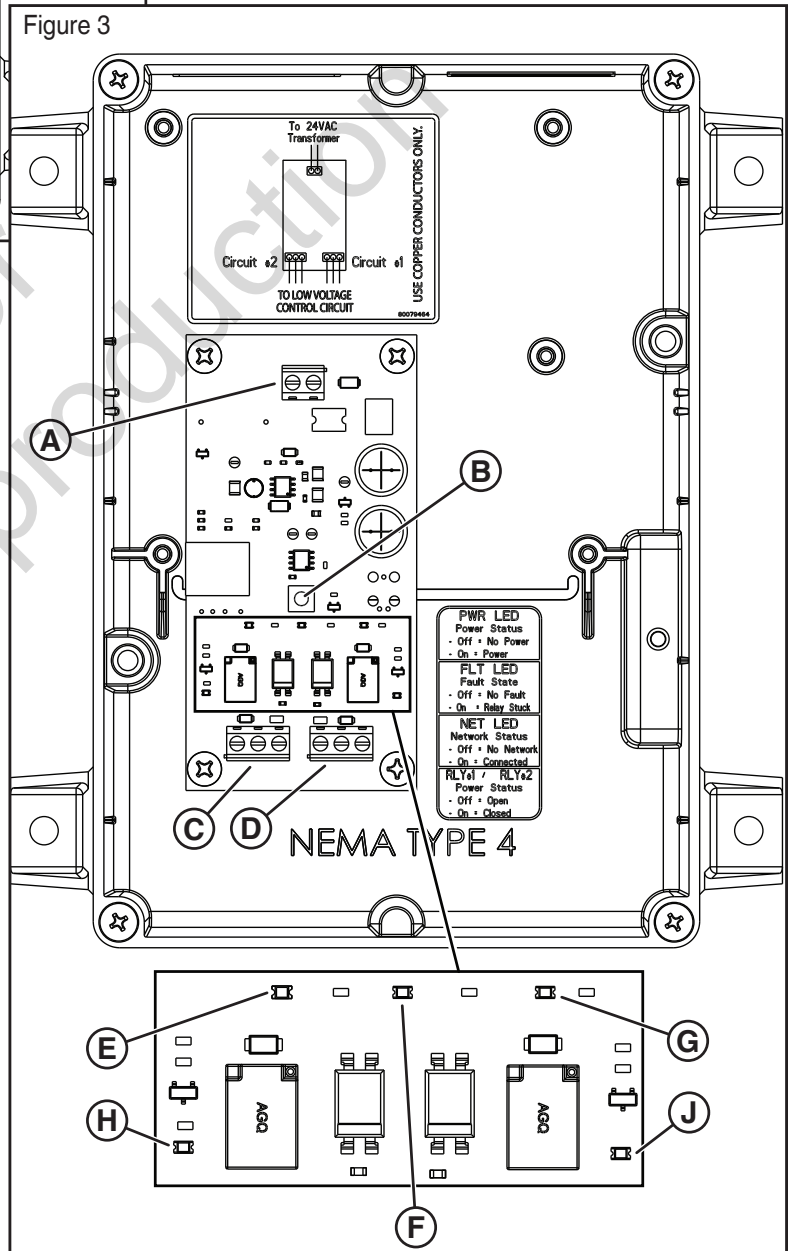
- | | |
|--|---|
| A • Power Indicator LED | G • Device Indicator LED |
| B • WiFi Configuration button | H • CPU Indicator LED |
| C • Device Configuration button | J • Reset button |
| D • Mode LED | K • Input Terminal Block (Field Connections) |
| E • WiFi Indicator LED | L • Service port (serial) |
| F • RS-485 Indicator LED | |

Figure 2



- A • L1 IN
- B • L2/N IN
- C • 230VAC N
- D • Ground
- E • L1 OUT
- F • L2/N OUT
- G • Network Configuration Button (Join)
- H • Power LED
- J • Relay LED
- K • Fault LED
- L • Network LED

Figure 3



- A • 24VAC Power Input
- B • Network Configuration Button (Join)
- C • Load #2 Output
- D • Load #1 Output
- E • Fault LED
- F • Network LED
- G • Power LED
- H • Output 2 LED
- J • Output 1 LED

Installation

It is recommended to use an 18AWG double-twisted shielded pair wire to connect the wireless gateway module to the generator. This wire is available from Briggs and Stratton. For more information please visit our website at www.briggsandstratton.com.

Mounting Guidelines

The power management modules are contained in a NEMA Type 4 enclosure. The wireless gateway module components are contained in a NEMA Type 3R enclosure that is suitable for indoor/outdoor use. The guidelines for mounting the enclosure include:

- Install enclosure on a firm, sturdy supporting structure.
- The enclosure must be accessible for service.
- NEVER install the device where any corrosive substance might drip onto the enclosure.
- Protect the device at all times against excessive moisture, dust, dirt, lint, construction grit and corrosive vapors.
- Install an enclosure to maximize wireless performance. Avoid mounting the enclosure inside confined metal spaces. When possible, mount enclosure in open area.
- The enclosure must be mounted vertically so that the grommet (A, Figure 4) is on the bottom to prevent water from entering the enclosure.

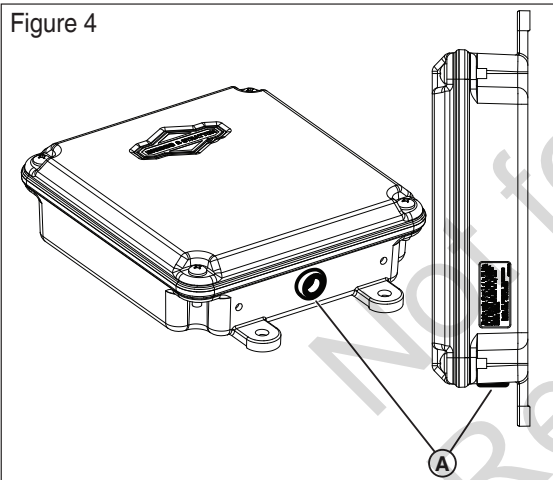


Figure 4

Disconnect the Power

Before performing any installation, maintenance, or service on the generator, ALWAYS perform the following steps:

1. Set generator system switch to **OFF**.
2. Set generator circuit breaker to **OFF**.
3. Remove the fuse from the main generator.
4. **Utility voltage is present at generator control panel.** Remove the fuses from the transfer switch to disconnect power before servicing the control panel.
5. Disconnect negative battery cable from negative battery terminal, indicated by NEGATIVE, NEG, or (-).

Connect the Wires

Remove the cover (A, Figure 5) from the wireless gateway module by loosening the screws (B) DO NOT remove the rubber grommet (C) from the hole in the bottom of the box.

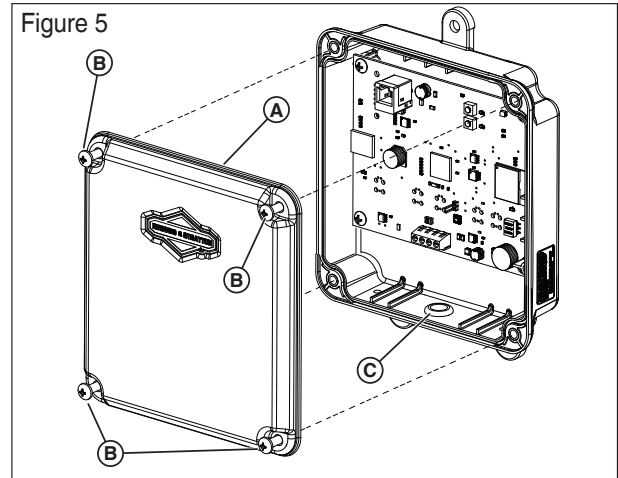


Figure 5

PowerProtect 17kW, 20kW and 26kW models (Figure 6):

Wire the wireless gateway module inputs (A, Figure 6) to the “WiFi” field wiring terminal blocks of the generator (B). The wireless gateway module terminal block connections and the generator terminal block connections must be torqued to 0.5 Nm (4.4 in-lb).

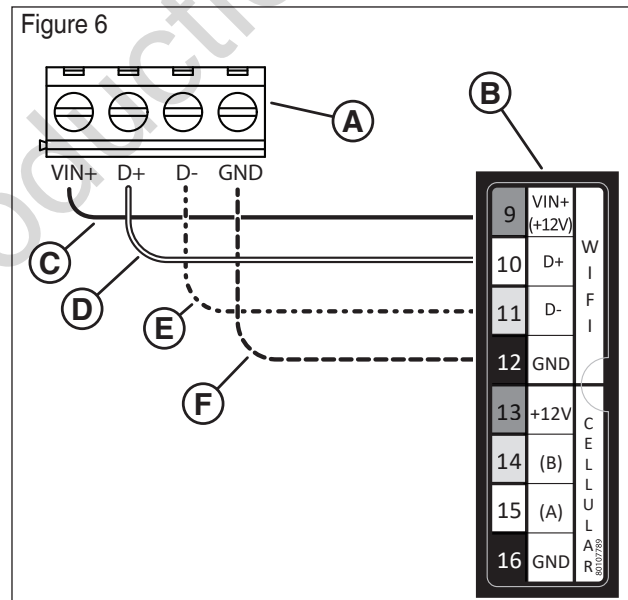


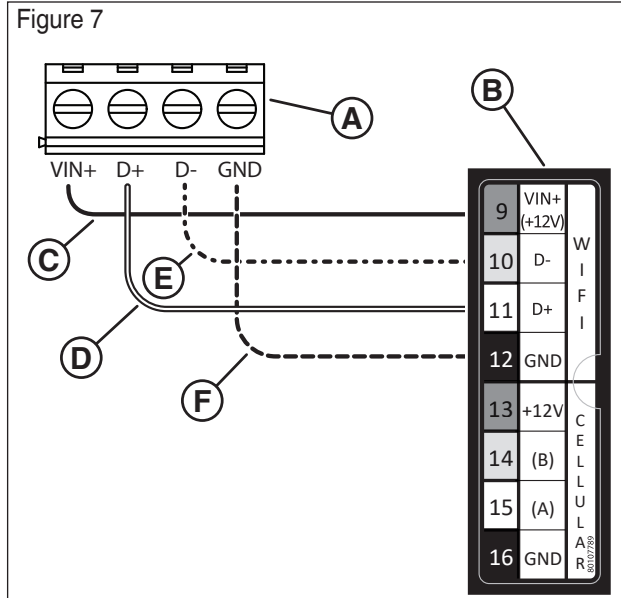
Figure 6

1. Connect the red wire (C, Figure 6) to the “WiFi VIN+ (+12V)” terminal on the generator and the “VIN(+)” terminal on the wireless gateway module.
2. Connect the black wire (F, Figure 6) to the “WiFi GND” terminal on the generator and the “GND” terminal on the wireless gateway module.
3. Connect the white wire (D, Figure 6) to the “WiFi D+” terminal on the generator and the “D+” terminal on the wireless gateway module.
4. Connect the orange wire (E, Figure 6) to the “WiFi D-” terminal on the generator and the “D-” terminal on the wireless gateway module.

5. Connect the shield wire (if present) from the cable to either the GND terminal on the wireless gateway module or the “WiFi GND” on the generator, NOT both.

PowerProtect™ 12kW models (Figure 7):

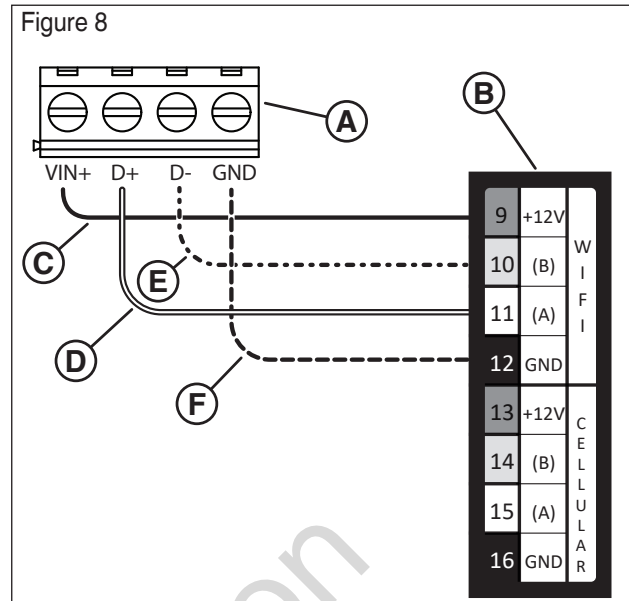
Wire the wireless gateway module inputs (A, Figure 7) to the “WiFi” field wiring terminal blocks of the generator (B). The wireless gateway module terminal block connections and the generator terminal block connections must be torqued to 0.5 Nm (4.4 in-lb).



1. Connect the red wire (C, Figure 7) to the “WiFi VIN+ (+12V)” terminal on the generator and the “VIN(+)” terminal on the wireless gateway module.
2. Connect the black wire (F, Figure 7) to the “WiFi GND” terminal on the generator and the “GND” terminal on the wireless gateway module.
3. Connect the white wire (D, Figure 7) to the “WiFi D+” terminal on the generator and the “D+” terminal on the wireless gateway module.
4. Connect the orange wire (E, Figure 7) to the “WiFi D-” terminal on the generator and the “D-” terminal on the wireless gateway module.
5. Connect the shield wire (if present) from the cable to either the GND terminal on the wireless gateway module or the “WiFi GND” on the generator, NOT both.

Fortress and Briggs & Stratton® models, where applicable (Figure 8):

Wire the wireless gateway module inputs (A, Figure 8) to the “WiFi” field wiring terminal blocks of the generator (B). The wireless gateway module terminal block connections and the generator terminal block connections must be torqued to 0.5 Nm (4.4 in-lb).



1. Connect the red wire (C, Figure 8) to the “WiFi +12V” terminal on the generator and the “VIN(+)” terminal on the wireless gateway module.
2. Connect the black wire (F, Figure 8) to the “WiFi GND” terminal on the generator and the “GND” terminal on the wireless gateway module.
3. Connect the white wire (D, Figure 8) to the “WiFi A” terminal on the generator and the “D+” terminal on the wireless gateway module.
4. Connect the orange wire (E, Figure 8) to the “WiFi B” terminal on the generator and the “D-” terminal on the wireless gateway module.
5. Connect the shield wire (if present) from the cable to either the GND terminal on the wireless gateway module or the “WiFi GND” on the generator, NOT both.

Close Generator and Install Fuses

After performing any installation, maintenance, or service on the generator, ALWAYS perform the following steps:

1. Use wire ties to organize the wires and to secure excess wire lengths.
2. Install all the components that were removed.
3. Connect negative battery cable to negative battery terminal, indicated by NEGATIVE, NEG, or (-).
4. Install the fuses into the transfer switch.
5. Install the generator fuse.
6. Set generator circuit breaker to **ON**.
7. Set generator system switch to **AUTO/Standby**.

The wireless gateway module should turn on automatically. Verify that the POWER LED (A, Figure 1) is on.

Set up the Gateway to the Power Management System

Use this procedure to connect the InfoHub™ Wireless Gateway Module (also referred to as “gateway”) to the Amplify™ Power Management System for wireless connection.

Before you start:

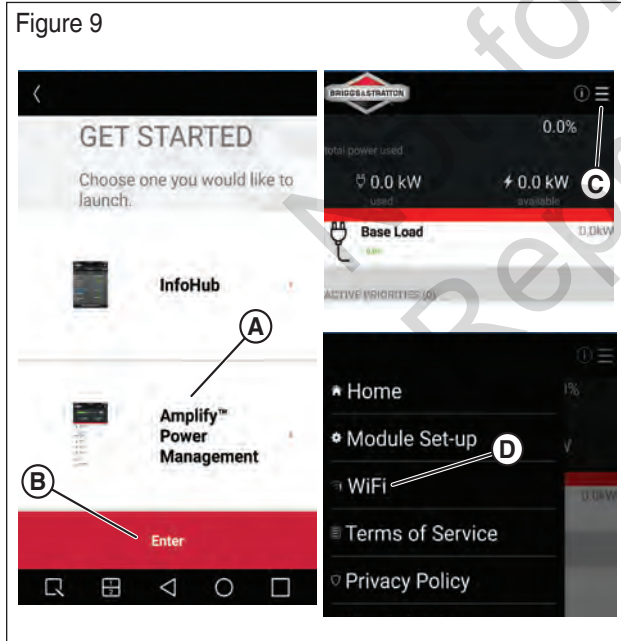
- Put gateway within range of the Power Management System. Exact range will vary depending on the home environment and determined by installing technicians (see *Mounting Guidelines* section).
- Make sure the gateway’s green power light (A, figure 1) is on and the MODE LED (D, Figure 1) flashes light blue.

1. Connect the mobile device to the Wi-Fi network that will pair with the gateway.
2. Download and install the *Standby Generator Management* app to a mobile device. Use *Google Play Store* for Android or the *Apple Play Store* for iOS.

NOTICE: The “GET STARTED” screen will appear after installation (Figure 9).

3. Push the following in the app:

- “Amplify Power Management” (A, Figure 9).
- “Enter” (B)
- Upper-right menu (C)
- “WiFi” (D)

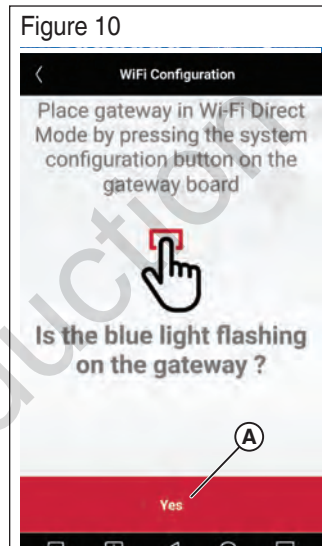


NOTICE: The icon to the left of “WiFi” (D) will change if the gateway is already connected to a network

4. Put the gateway in “Wi-Fi Direct Mode” by pushing and holding the *WiFi Config* button (B, Figure 1) on the gateway board for 5 seconds. The MODE LED (D, Figure 1) will flash.
5. Do the steps in the table that follows based on the gateway’s *Mode* LED light color (D, Figure 1).

If MODE LED (D, Figure 1) is:	Do the following on the gateway:
Light Blue	Press YES (A, Figure 10)
Dark Blue	<ul style="list-style-type: none"> • Press the <i>Reset</i> button (J, Figure 1). • Hold down the <i>WiFi Config</i> button (B, Figure 1) for 5 seconds. • Repeat until the LED (D, Figure 1) is light blue.
Red	
Green	

NOTICE: Dark Blue & Green indicate that the gateway is already connected to a network.



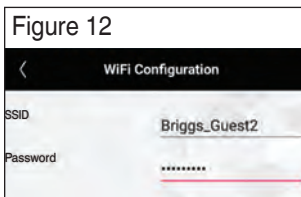
6. Open the mobile device’s Wi-Fi settings page and choose the following network name: **BASCOGATEWAY-XXXXX** (C, Figure 11). Return to the app and press “Continue” (B, Figure 11).

NOTICE: The device may indicate a warning that the wifi network is not connected to the Internet, tap this warning and confirm that you wish to stay connected.



- When prompted (Figure 12) enter the network SSID and password (both are case sensitive) of the network the gateway will connect to. Push "Connect." The mobile device will start pairing to the gateway.

NOTICE: The connection process can take approximately 2 minutes before the connection is established.



- Do the steps in the table that follows based on the gateway's *Mode* LED light color (D, Figure 1).

NOTICE: The typical blinking sequence goes from "light blue > red > dark blue > green" over an estimated two minutes.

Light color	Status	If color does not change in 2 minutes
Light Blue	Gateway is broadcasting its own network.	Press "Continue" and repeat Steps 6 - 7.
Red	BASCOGATEWAY-XXXXX broadcasting stopped; attempting to connect to the network. This is in "Wi-Fi Direct" mode.	Confirm correct SSID and password are entered. Repeat steps 4 - 7.
Dark Blue (slow blink)	Wi-Fi is connected. The device is attempting to connect to the Internet.	Make sure the network is connected to the Internet.
Dark Blue (fast blink)	Over the Air (OTA) server is connected. The firmware update is being installed.	Wait for the update to complete.
Green	Connected	Do Step 9.

- Return to the app.

Display on the screen	Troubleshooting Steps
"Please wait while we attempt to connect to the gateway...this may take up to 2 minutes."	<ol style="list-style-type: none"> Make sure the mobile device and gateway are connected to the same network. Press the "Back" button (top left corner) until the home screen appears.
Home screen	Do Step 10.

- Instruct the end user to do the following:

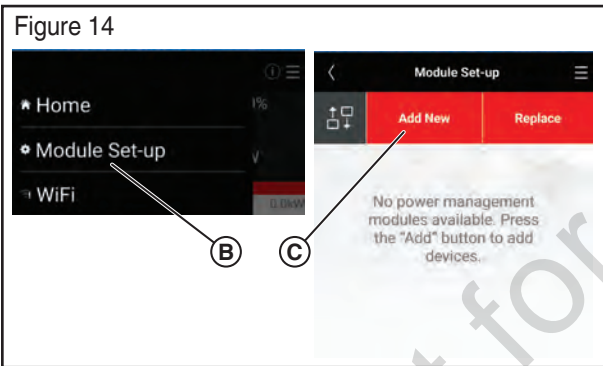
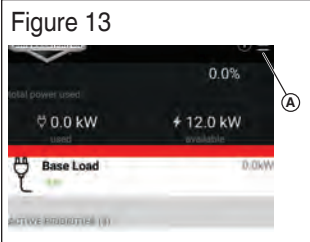
- Download and install the Standby Generator Management app.

- Connect their mobile device to the same network as the gateway.
- Do the *Set Up the Power Management Modules* steps in the section that follows if applicable.

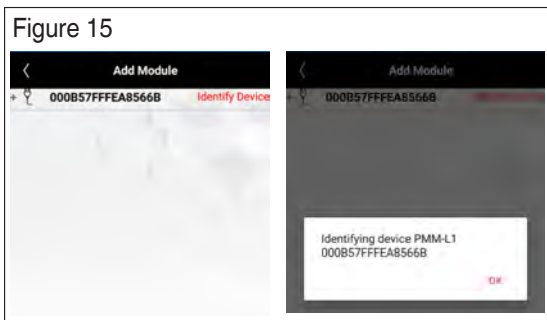
Set up the Power Management Modules

This section explains how to connect the Power Management Module to the gateway. Follow these steps after connecting the gateway to a Wi-Fi network.

1. Open your app. Your power management device shows up as available. In this example (Figure 13) it is showing that a 12kW generator is available.
2. To add a load, push the upper right menu (A, Figure 13) and choose “Module Setup” (B, Figure 14) then “Add New” (C) and then “Continue.”

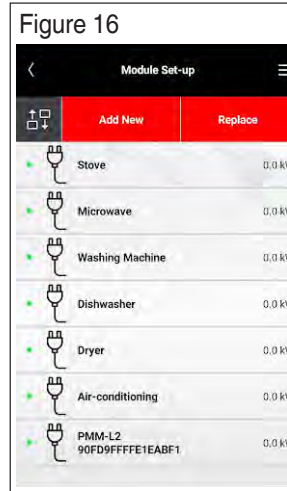


3. Push the *Network Configuration* button on all of the power management devices (G, Figure 2 / B, Figure 3).
 4. Return to the app and do the steps that follow:
 - Push “Identify Device” (Figure 15).”
 - Wait for the network light (L, Figure 2) on the Power Management device to blink (amber in color).
 - Push “OK” in the app
 - Choose the previously identified device.
 - Fill out the “Device Name” and “Nominal Voltage” fields.
- NOTICE:** The remaining fields are optional.
- Push “Save.”

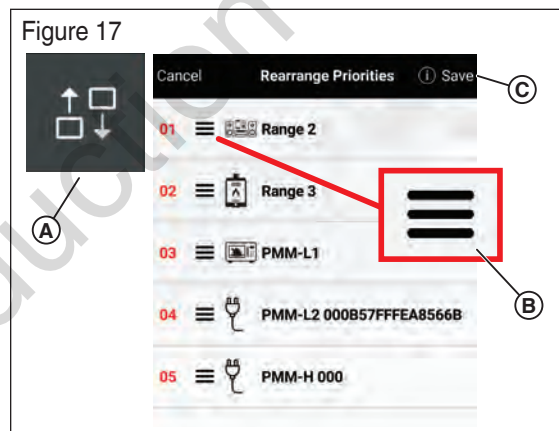


NOTICE: After pairing multiple modules, the app screen will

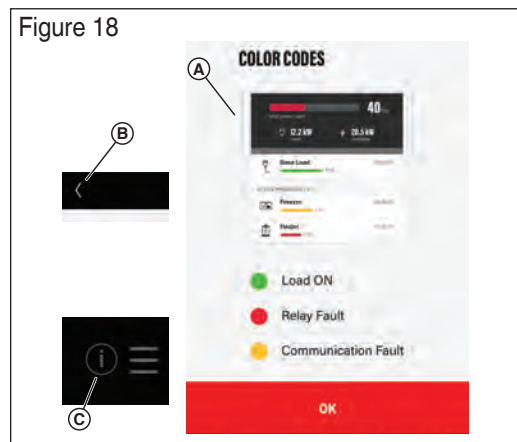
resemble the image that follows (Figure 16):



5. Push the “Rearrange” icon (A, Figure 17) to arrange load shed priorities.
- NOTICE:** The “Rearrange Priorities” screen should appear.
6. Push and drag each item (B, Figure 17) to the desired priority location. Save when completed (C).



- NOTICE:** The “Module Set-up” screen should appear.
7. **Optional:** To view “generator status and load status” color codes (A, Figure 18), press the back button (B) then press (i) button (C) near the right-side menu.



NOTICE: The generator and load statuses will display on the “Home” and the “Module Set-Up” screens.

Wireless Gateway Module LED Indicators

Mode LED

- Cyan (light blue) – Wi-Fi Direct Mode
- Red – Cannot connect to the network access point
- Dark Blue –
 - Slow blink: Connected to the network access point
 - Fast blink: Device upgrade is in process
- Green – Connected to the InfoHub™ Cloud

WiFi LED

- On: Connected to the device update cloud
- Off: Not connected to the device update cloud

Please visit our website www.briggsandstratton.com for more information and instructions regarding the wireless gateway module.

Registration and Activation

Access to the InfoHub™ user portal requires purchase of a subscription. You must register and activate the InfoHub system on-line at www.infohubsp.com. User guides and instructional videos are available at this site.

You will be required to read and comply with the InfoHub™ Subscription Service Agreement prior to activation of the monthly subscription, and the Terms of Use and Privacy Policy prior to accessing the InfoHub™ portal.

Visit www.briggsinfohub.com to preview those policies.

For registration and activation support, call the InfoHub™ support team at 1-833-463-6482.

Prior to installation, record the module S/N in the spaces below. This information is required to correctly assign the module to the equipment in the user portal.

Amplify™ Gateway

S/N:	
------	--

Equipment

Brand:	
Equipment Type:	
Model Number:	
Serial Number	

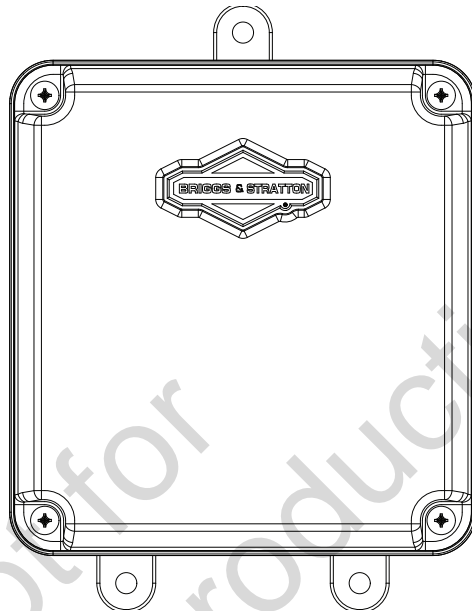
Minimum System Requirements - User Portal

Supported Browsers and Versions
<ul style="list-style-type: none">• Chrome - Version 59.0+• Firefox - Version 54.0+• Safari - Version 10.0+• IE - Version 11.0+• Edge - Version 15.0+
Minimum Display Resolution
<ul style="list-style-type: none">• 1280 x 720
Computer Requirements
<ul style="list-style-type: none">• Intel® Core™ i3 or equivalent• 4GB of RAM• Internet access
Special Settings
<ul style="list-style-type: none">• Pop-ups are required for reporting.• URL used for iFrame tool must support iFrames.

Not for
Reproduction

Instrucciones de instalación y operación

Módulo de puerta de enlace inalámbrico para su uso con el sistema de gestión de energía Amplify™



¿Preguntas?

¡La ayuda está a solo un momento de distancia!

Llame a nuestra línea de ayuda:

(800) 732-2989 M-F 8-5 CT



Conserve estas instrucciones

Instrucciones de seguridad importantes

GUARDE ESTAS INSTRUCCIONES - Este manual contiene instrucciones importantes que deben seguirse durante la instalación y el mantenimiento del generador y las baterías.



Descarga eléctrica



Lea el manual

Símbolos de seguridad y significados

⚠ El símbolo de alerta de seguridad indica un posible riesgo para su integridad física. Una palabra de señalización (PELIGRO, ADVERTENCIA o PRECAUCIÓN) se utiliza con el símbolo de alerta para designar un grado o nivel de gravedad del peligro. Se puede usar un símbolo de peligro para representar el tipo de riesgo. La palabra de señalización AVISO se utiliza para abordar las prácticas no relacionadas con lesiones corporales.

⚠ PELIGRO indica un riesgo que, si no se evita, ocasionará la muerte o lesiones graves.

⚠ ADVERTENCIA indica un riesgo que, si no se evita, podría ocasionar la muerte o lesiones graves.

⚠ PRECAUCIÓN indica un riesgo que, si no se evita, podría ocasionar lesiones leves o moderadas.

AVISO hace referencia a las prácticas no relacionadas con las lesiones personales

El fabricante no puede anticipar todas las circunstancias que puedan suponer un peligro. Las advertencias de este manual, así como las etiquetas y calcomanías que se han fijado a la unidad, no son, por lo tanto, exhaustivas. Si utiliza un procedimiento, método de trabajo o técnica de operación que el fabricante no recomiende específicamente, debe asegurarse de que sea seguro para usted y para los demás. También debe asegurarse de que el procedimiento, método de trabajo o técnica operativa que elija no haga que el sistema generador sea inseguro.

⚠ **ADVERTENCIA** Este producto contiene plomo y compuestos de plomo, conocidos por el estado de California por causar defectos de nacimiento u otros daños reproductivos. Lávese las manos luego de manipular este producto. Cáncer y daños reproductivos - www.P65Warnings.ca.gov

⚠ **ADVERTENCIA** Peligro de descarga. La instalación de cables de bajo y alto voltaje en el mismo conducto podría provocar la muerte, lesiones graves y/o daños materiales.

- No opere un cable de voltaje bajo y alto en el mismo conducto a menos que la clasificación del aislamiento en TODOS los cables sea de 600 V. Consulte NEC para más información.

⚠ **ADVERTENCIA** El equipo contiene alto voltaje que podría causar electrocución con resultado de muerte o lesiones graves.

- A pesar del diseño seguro del sistema, la operación de este equipo de forma imprudente, descuidar su mantenimiento o ser poco cuidadoso podría provocar la muerte o lesiones graves.

⚠ **ADVERTENCIA** Si no se conecta el equipo a tierra de forma adecuada, se puede producir una electrocución que cause la muerte o lesiones graves.

- No toque los cables pelados.
- No utilice equipos con cables desgastados, deshilachados, desnudos o dañados de alguna manera.
- No manipule los cables eléctricos mientras esté parado en el agua, si está descalzo o si tiene las manos o los pies mojados.
- Si tiene que trabajar cerca de una unidad mientras está en operación, colóquese sobre una superficie seca y aislada para reducir el riesgo de descarga eléctrica.
- No permita que personas no cualificadas o niños operen o reparen el equipo.
- En caso de accidente causado por una descarga eléctrica, desconecte inmediatamente todas las fuentes de energía eléctrica y póngase en contacto con las autoridades locales. Evite el contacto directo con la víctima.

AVISO El tratamiento inadecuado del equipo podría dañarlo y acortar su vida útil.

- Utilice el equipo solo para los usos previstos.
- Si tiene dudas sobre el uso previsto, pregunte al distribuidor o póngase en contacto con Briggs & Stratton.
- NO exponga el equipo a humedad excesiva, polvo, suciedad o vapores corrosivos.
- Esté alerta en todo momento mientras utiliza este equipo. Nunca utilice el equipo si tiene cansancio físico o mental.
- Si los dispositivos conectados se sobrecalientan, apáguelos y desconecte su disyuntor/fusible.

AVISO Sección 15 de las FCC Información para el usuario

De acuerdo con la parte 15.21 de las normas de la FCC, se le advierte que los cambios o modificaciones no aprobados expresamente por Briggs and Stratton podrían anular su autoridad para operar el dispositivo.

Este dispositivo cumple con el artículo 15 de las reglas FCC. La operación está sujeta a las siguientes dos condiciones:

(1) Este dispositivo puede no causar interferencia peligrosa, y (2) este dispositivo debe aceptar cualquier interferencia recibida, lo que incluye a la interferencia que pudiere causar una operación no deseada.

Este equipo fue probado y se determinó que cumple con los límites para un dispositivo digital de Clase B, de acuerdo con la Sección 15 de las Reglas FCC. Estos límites fueron diseñados para brindar una protección razonable contra la interferencia peligrosa en una instalación residencial. Este equipo genera, usa y puede irradiar energía de radiofrecuencia y, si no se instala y usa de acuerdo con las instrucciones, podría ocasionar la interferencia peligrosa de las radiocomunicaciones. Sin embargo, no se garantiza que la interferencia no ocurra en una instalación particular. Se alienta al usuario a que, en caso de que el equipo provoque una interferencia peligrosa a la recepción de radio o televisión (lo que puede determinarse al apagar y encender el equipo), trate de corregir dicha interferencia al tomar una o más de las siguientes medidas:

- Reorientar o reubicar la antena receptora.
- Aumentar la separación entre el equipo y el receptor.
- Conectar el equipo a un tomacorriente en un circuito que no sea al cual el receptor está conectado.
- Consulte con el proveedor o un técnico experimentado en radio/TV para obtener ayuda.

AVISO IC Información para el usuario

Este dispositivo cumple con los RSS exentos de licencia de Industry Canadá. La operación está sujeta a las siguientes dos condiciones:

- (1) Este dispositivo no puede causar interferencias; y
- (2) Este dispositivo debe aceptar cualquier interferencia, incluidas las que puedan causar una operación no deseada del dispositivo.

AVISO Declaración de exposición a la radiación RF de la FCC para el usuario

Este equipo cumple con los límites de exposición a la radiación de la FCC establecidos para un entorno no controlado. Los usuarios finales deben seguir las instrucciones de operación específicas para cumplir la normativa de exposición a RF. Este dispositivo cumple con los límites de exposición como se demuestra en un análisis de exposición a RF. El dispositivo se debe instalar de forma que se mantenga una distancia mínima de separación de 20 cm entre el dispositivo y todas las personas en todo momento.

Información general

Descripción del equipo

Este producto está destinado únicamente a ser utilizado como fuente de control inalámbrico del sistema del generador para el propietario. Permite establecer las prioridades de las cargas asignadas, como la calefacción, los sistemas de refrigeración y los sistemas de comunicación que son controlados por el generador. También proporciona información sobre el estado del generador a la nube InfoHub™.

Dónde encontrarlos

Nunca tendrá que buscar mucho para encontrar soporte y servicio para su generador. Consulte las Páginas Amarillas. Hay muchos agentes de servicio autorizados en todo el mundo que ofrecen un servicio de calidad. También puede ponerse en contacto con el Servicio Técnico por teléfono en el 800-732-2989 entre las 8:00 AM y las 5:00 PM hora central o hacer clic en el localizador de distribuidores en www.briggsandstratton.com, que proporciona una lista de distribuidores autorizados.

Especificaciones del producto

Voltaje nominal 12V DC

Rango de funcionamiento normal -20 °F (-28,8 °C) a 104 °F (40 °C)

Peso 0.81 lbs. (0,37 kg)

*Este dispositivo está catalogado por UL (Underwriters Laboratories).

Complete la información que aparece a continuación y guarde su recibo para ayudar a la identificación de la unidad en futuras compras.

Número de modelo: _____

Revisión _____

Número de serie: _____

Fecha de la compra _____

Antes de la instalación

Solo los profesionales de la electricidad con licencia vigente deben intentar las instalaciones de los módulos inalámbricos. Las instalaciones deben cumplir estrictamente con todos los códigos, normas de la industria, leyes y reglamentos aplicables.

En algunas zonas puede necesitar permisos eléctricos para instalar módulos inalámbricos. El instalador debe comprobar los códigos locales y obtener los permisos necesarios antes de instalar el módulo.

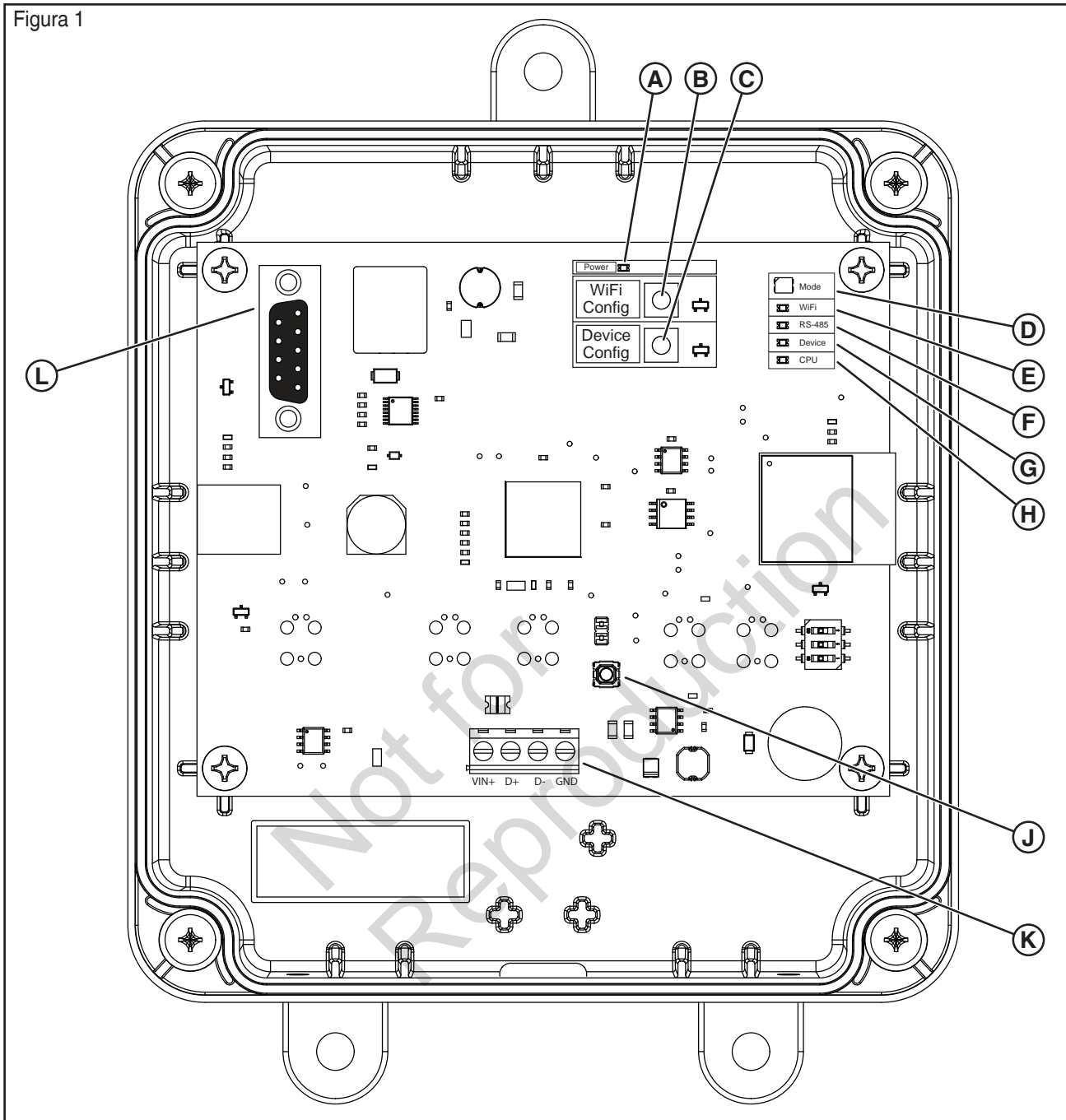
La garantía del módulo inalámbrico de la puerta de enlace es NULA a menos que el módulo sea instalado por profesionales eléctricos autorizados.

Responsabilidades del instalador

- Lea y observe las instrucciones de seguridad.
- Lea y siga las instrucciones de este Manual de instalación y operaciones.
- La instalación debe cumplir estrictamente con todos los códigos, estándares de la industria, leyes y regulaciones aplicables.
- Deje suficiente espacio en todos los lados del módulo inalámbrico para el mantenimiento y el servicio.

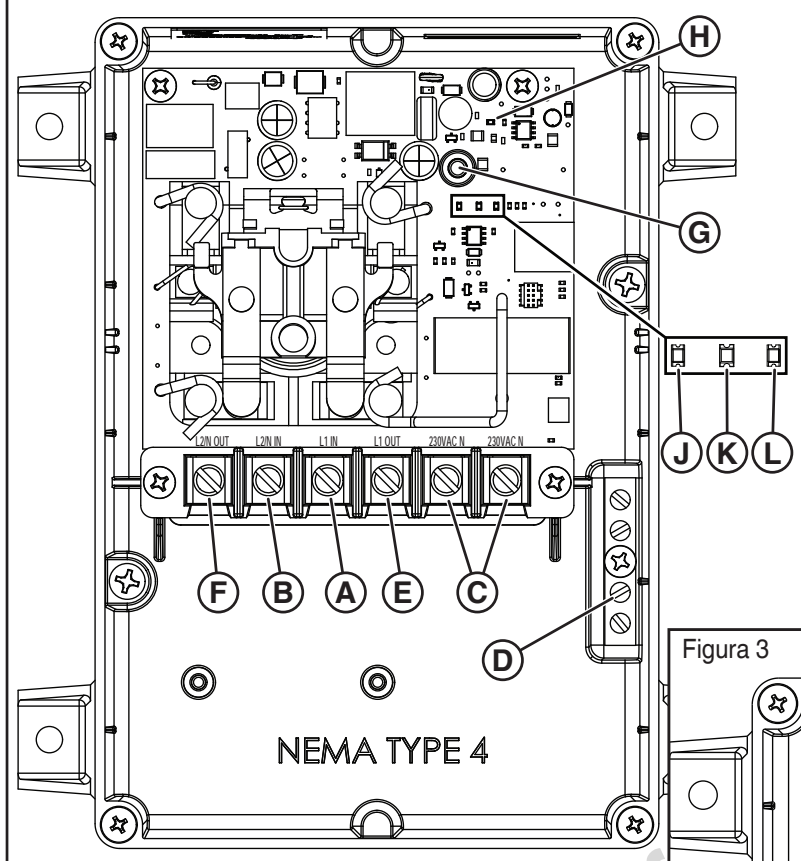
El módulo inalámbrico se puede instalar donde sea conveniente y haya una buena señal inalámbrica, ya sea en un lugar interior o exterior. El módulo de la puerta de enlace inalámbrica debe ser accesible para el servicio. Analice con el propietario las sugerencias o cambios en el diseño antes de comenzar el proceso de instalación del sistema.

Figura 1



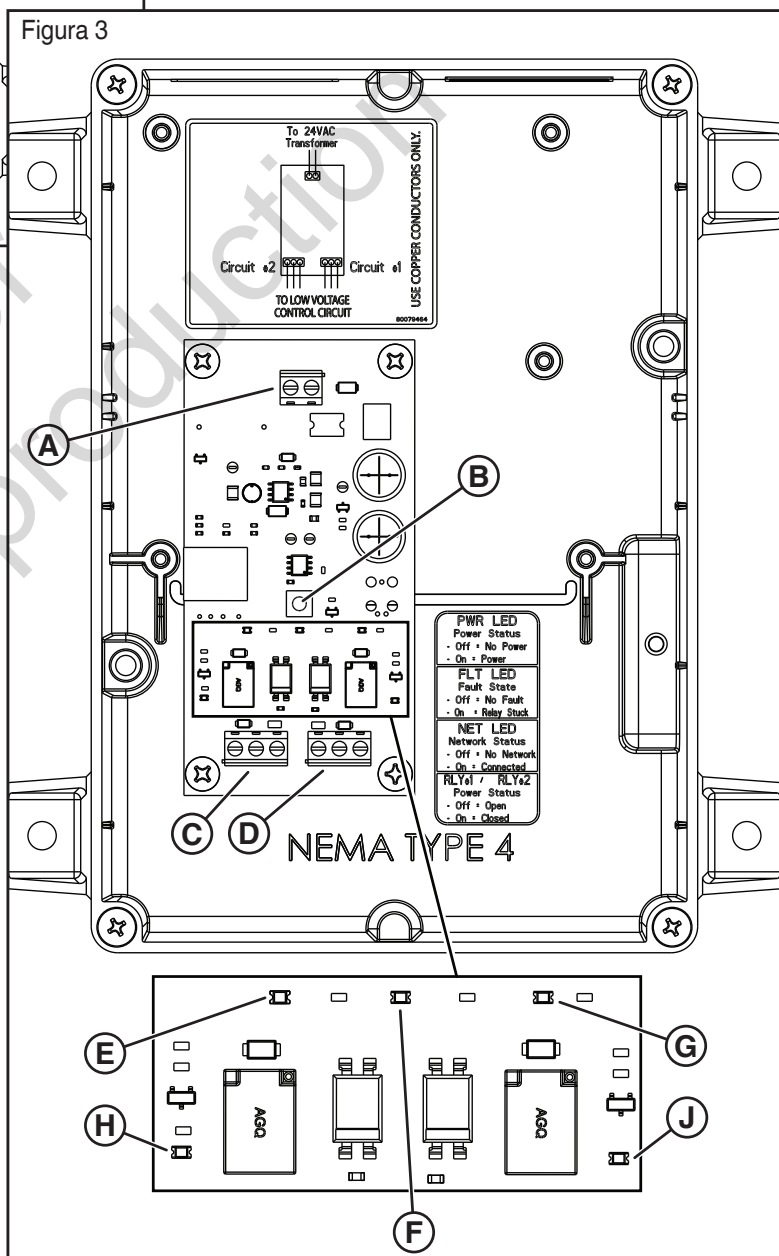
- A • Indicador LED de potencia
- B • Botón de Configuración de WiFi
- C • Botón de Configuración del dispositivo
- D • Modo LED
- E • Indicador LED de WiFi
- F • Indicador LED de RS-485
- G • Indicador LED del dispositivo
- H • LED indicador de la CPU
- J • Botón de reinicio
- K • Bloque de terminales de entrada (conexiones de campo)
- L • Puerto de servicio (serie)

Figura 2



- A • L1 IN
- B • L2/N IN
- C • 230VAC N
- D • Tierra
- E • L1 OUT
- F • L2/N OUT
- G • Botón de configuración de la red (Join)
- H • LED de potencia
- J • LED de relé
- K • LED de averías
- L • LED de la red

Figura 3



- A • 24 VAC Entrada de energía
- B • Botón de configuración de la red (Join)
- C • Salida de la carga #2
- D • Salida de la carga #1
- E • LED de averías
- F • LED de red
- G • LED de potencia
- H • Salida 2 LED
- J • Salida 1 LED

Instalación

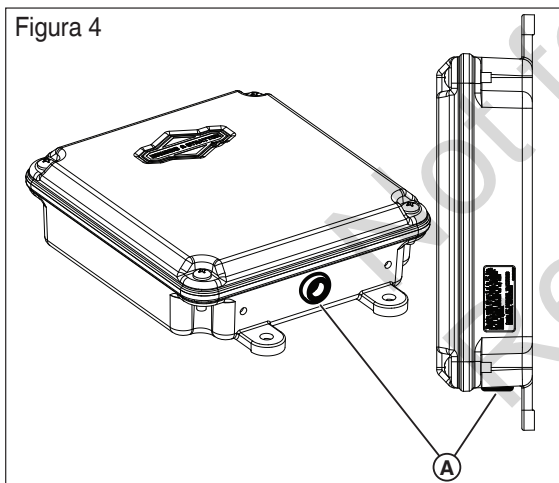
Se recomienda utilizar un cable de par trenzado doble de 18 AWG para conectar el módulo de la puerta de enlace inalámbrica al generador. Este cable está disponible en Briggs and Stratton. Para más información, visite nuestro sitio web en www.briggsandstratton.com.

Instrucciones de montaje

Los módulos de gestión de la energía están contenidos en una caja NEMA tipo 4. Los componentes del módulo de la puerta de enlace inalámbrica están contenidos en una caja NEMA Tipo 3R que es adecuada para uso en interiores/exteriores. Las instrucciones para el montaje del gabinete incluyen:

- Instalar el gabinete sobre una estructura de soporte firme y resistente.
- El gabinete debe ser accesible para el servicio.
- NUNCA instale el dispositivo donde cualquier sustancia corrosiva pueda gotear sobre el gabinete.
- Proteja el aparato en todo momento contra la humedad excesiva, el polvo, la suciedad, las pelusas, la arenilla de construcción y los vapores corrosivos.
- Instalar un gabinete para maximizar el rendimiento inalámbrico. Evite montar el gabinete en espacios metálicos reducidos. Cuando sea posible, monte el gabinete en un área abierta.
- El gabinete debe montarse en posición vertical de modo que el ojal (A, Figura 4) esté en la parte inferior para evitar que el agua entre en la caja.

Figura 4



Desconecte la corriente

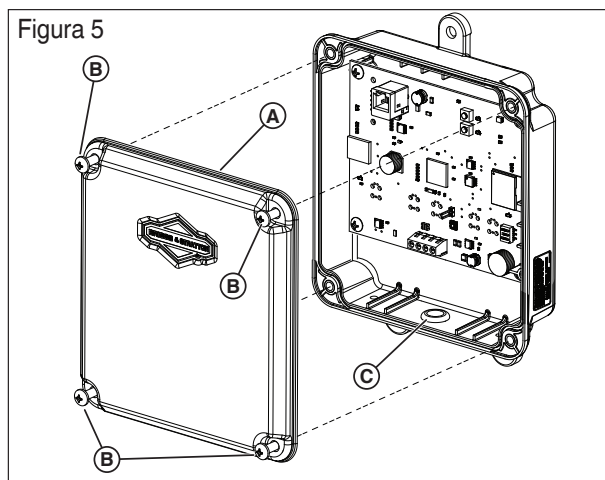
Antes de realizar cualquier instalación, mantenimiento o servicio en el generador, realice SIEMPRE los siguientes pasos:

1. Ponga el sistema del generador en **OFF (APAGADO)**.
2. Ponga el disyuntor de circuito del generador en **OFF (APAGADO)**.
3. Retire el fusible del generador principal.
4. **El voltaje de la red está presente en el panel de control del generador.** Retire los fusibles del interruptor de transferencia para desconectar la energía antes de reparar el panel de control.
5. Desconecte el cable negativo de la batería del terminal negativo de la batería, indicado por NEGATIVO, NEG o (-).

Conecte los cables

Retire la cubierta (A, Figura 5) del módulo de la puerta de enlace inalámbrica aflojando los tornillos (B) NO retire el ojal de goma (C) del orificio de la parte inferior de la caja.

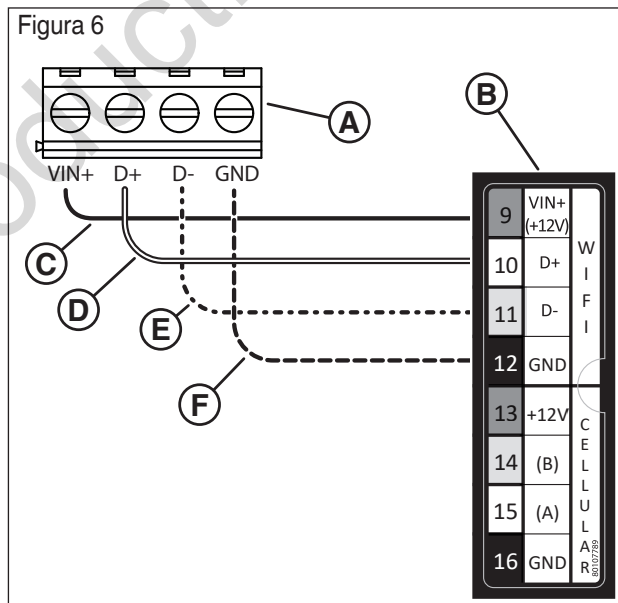
Figura 5



Modelos PowerProtect 17 kW, 20 kW y 26 kW (Figura 6):

Conecte las entradas del módulo de la puerta de enlace inalámbrica (A, Figura 6) a los bloques de terminales de cableado de campo "WiFi" del generador (B). Las conexiones del bloque de terminales del módulo de puerta de enlace inalámbrica y las conexiones del bloque de terminales del generador deben apretarse a 0,5 Nm (4,4 pulg-lb).

Figura 6

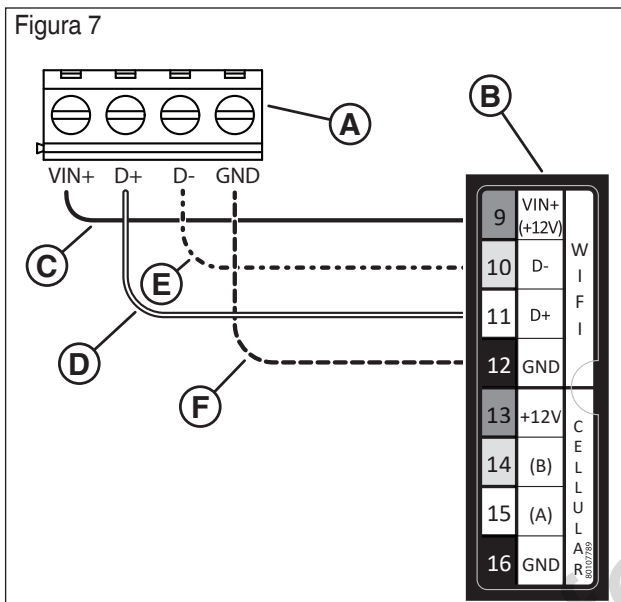


1. Conecte el cable rojo (C, Figura 6) al terminal "WiFi VIN+ (+12V)" del generador y al terminal "VIN(+)" del módulo de la puerta de enlace inalámbrica.
2. Conecte el cable negro (F, Figura 6) al terminal "WiFi GND" del generador y al terminal "GND" del módulo de la puerta de enlace inalámbrica.
3. Conecte el cable blanco (D, Figura 6) al terminal "WiFi D+" del generador y al terminal "D+" del módulo de la puerta de enlace inalámbrica.
4. Conecte el cable naranja (E, Figura 6) al terminal "WiFi D-" del generador y al terminal "D-" del módulo de la puerta de enlace inalámbrica.

5. Conecte el cable de protección (si está instalado) al terminal GND del módulo de la puerta de enlace inalámbrica o al "WiFi GND" del generador, NO a ambos.

Modelos PowerProtect™ 12 kW (Figura 7):

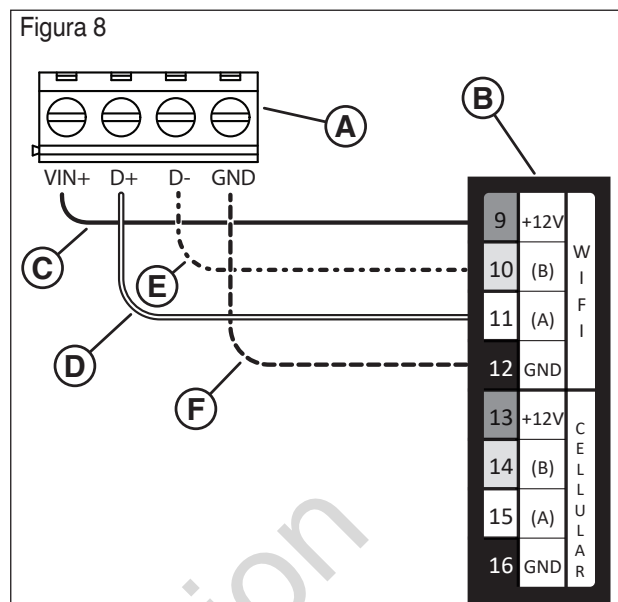
Conecte las entradas del módulo de la puerta de enlace inalámbrica (A, Figura 7) a los bloques de terminales de cableado de campo "WiFi" del generador (B). Las conexiones del bloque de terminales del módulo de puerta de enlace inalámbrica y las conexiones del bloque de terminales del generador deben apretarse a 0,5 Nm (4,4 pulg-lb).



1. Conecte el cable rojo (C, Figura 7) al terminal "WiFi VIN+ (+12V)" del generador y al terminal "VIN(+)" del módulo de la puerta de enlace inalámbrica.
2. Conecte el cable negro (F, Figura 7) al terminal "WiFi GND" del generador y al terminal "GND" del módulo de la puerta de enlace inalámbrica.
3. Conecte el cable blanco (D, Figura 7) al terminal "WiFi D+" del generador y al terminal "D+" del módulo de la puerta de enlace inalámbrica.
4. Conecte el cable naranja (E, Figura 7) al terminal "WiFi D-" del generador y al terminal "D-" del módulo de la puerta de enlace inalámbrica.
5. Conecte el cable de protección (si está instalado) al terminal GND del módulo de la puerta de enlace inalámbrica o al "WiFi GND" del generador, NO a ambos.

Los modelos Fortress y Briggs & Stratton®, en su caso (Figura 8):

Conecte las entradas del módulo de la puerta de enlace inalámbrico (A, Figura 8) a los bloques de terminales de cableado de campo "WiFi" del generador (B). Las conexiones del bloque de terminales del módulo de puerta de enlace inalámbrica y las conexiones del bloque de terminales del generador deben apretarse a 0,5 Nm (4,4 pulg-lb).



1. Conecte el cable rojo (C, Figura 8) al terminal "WiFi +12V" del generador y al terminal "VIN(+)" del módulo de la puerta de enlace inalámbrico.
2. Conecte el cable negro (F, Figura 8) al terminal "WiFi GND" del generador y al terminal "GND" del módulo de la puerta de enlace inalámbrico.
3. Conecte el cable blanco (D, Figura 8) al terminal "WiFi A+" del generador y al terminal "D+" del módulo de la puerta de enlace inalámbrico.
4. Conecte el cable naranja (E, Figura 8) al terminal "WiFi B" del generador y al terminal "D-" del módulo de la puerta de enlace inalámbrico.
5. Conecte el cable de protección (si está instalado) al terminal GND del módulo de la puerta de enlace inalámbrico o al "WiFi GND" del generador, NO a ambos.

Cierre el generador e instale los fusibles

Después de realizar cualquier instalación, mantenimiento o servicio en el generador, realice SIEMPRE los siguientes pasos:

1. Utilice ataduras para organizar los cables y asegurar el exceso de longitud de los mismos.
2. Instale todos los componentes que se quitaron.
3. Conecte el cable negativo de la batería al terminal negativo de la batería (indicado por NEGATIVO, NEG, o (-)).
4. Instale los fusibles en el interruptor de transferencia.
5. Instale el fusible del generador.

6. Ponga el disyuntor de circuito del generador en **ENCENDIDO**.
7. Coloque el interruptor del sistema del generador en la posición **AUTO/Standby**.

El módulo de la puerta de enlace inalámbrica debería encenderse automáticamente. Compruebe que el LED POWER (A, Figura 1) está encendido.

Configure la puerta de enlace con el sistema de gestión de la energía

Utilice este procedimiento para conectar el módulo de puerta de enlace inalámbrico InfoHub™ (también denominado “puerta de enlace”) al sistema de gestión de energía Amplify™ para la conexión inalámbrica.

Antes de comenzar:

- Coloque la puerta de enlace dentro del alcance del sistema de administración de energía. El alcance exacto variará en función del entorno de la vivienda y lo determinarán los técnicos instaladores (véase la sección *Directrices de montaje*).
- Asegúrese de que la luz verde de alimentación de la puerta de enlace (A, figura 1) está encendida y el MODO LED (D, figura 1) parpadea en azul claro.

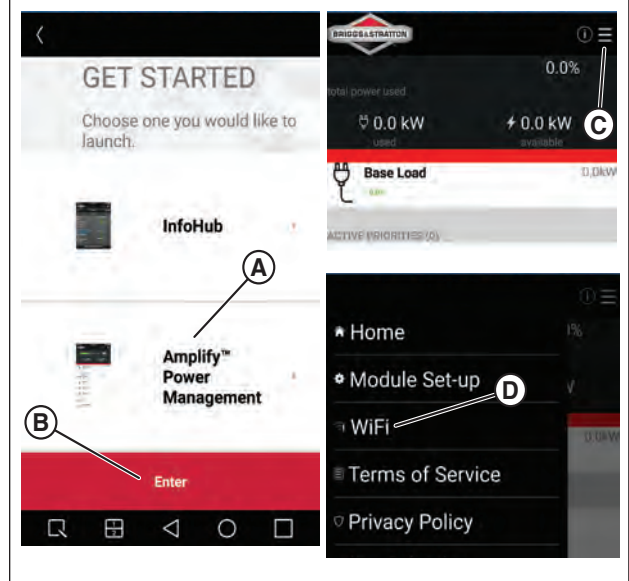
1. Conecte el dispositivo móvil a la red WiFi que se emparejará con la puerta de enlace.
2. Descargue e instale la *aplicación Generador de energía de emergencia* en un dispositivo móvil. Use *Google Play Store* para Android o *Apple Play Store* para iOS.

AVISO: Tras la instalación, aparecerá la pantalla “COMENZAR” (Figura 9).

3. Presione lo siguiente en la aplicación:

- “Amplificar la gestión de la energía” (A, Figura 9).
- “Intro” (B)
- Menú superior derecho (C)
- “WiFi” (D)

Figura 9



AVISO: El icono a la izquierda de “WiFi” (D) cambiará si la puerta de enlace ya está conectada a una red

4. Ponga la puerta de enlace en “Modo WiFi Directo” presionando y manteniendo pulsado el *botón Configuración WiFi* (B, Figura 1) en la placa de la puerta de enlace durante 5 segundos. El MODO LED (D, Figura 1) parpadeará.
5. Siga los pasos de la tabla siguiente en función del color de la luz LED *demodo* de la puerta de enlace (D, Figura 1).

Si el MODO LED (D, Figura 1) está:	Haga lo siguiente en la puerta de enlace:
Azul claro	Pulse SÍ (A, Figura 10)
Azul oscuro	<ul style="list-style-type: none"> • Pulse el botón de reinicio (J, Figura 1). • Mantenga pulsado el <i>botón WiFi Config</i> (B, Figura 1) durante 5 segundos. • Repita la operación hasta que el LED (D, Figura 1) se ilumine de color azul claro.
Rojo	
Verde	

AVISO: El azul oscuro y el verde indican que la puerta de enlace ya está conectada a una red.



6. Abra la página de configuración WiFi del dispositivo móvil y elija el siguiente nombre de red: BASCOGATEWAY-XXXXX (C, Figura 11). Vuelva a la aplicación y pulse “Continuar” (B, Figura 11).

AVISO: El dispositivo puede indicar una advertencia de que la red WiFi no está conectada a Internet, toque esta advertencia y confirme que desea seguir conectado.



7. Cuando se le solicite (Figura 12), introduzca el SSID de la red y la contraseña (ambos distinguen entre mayúsculas y minúsculas) de la red a la que se conectará la puerta de enlace. Presione “Conectar”. El dispositivo móvil comenzará a emparejarse con la puerta de enlace.

AVISO: El proceso de conexión puede durar aproximadamente 2 minutos antes de que se establezca la conexión.



8. Siga los pasos de la tabla siguiente en función del color de la luz LED demodo de la puerta de enlace (D, Figura 1).

AVISO: La secuencia de parpadeo típica va de “azul claro> rojo> azul oscuro> verde” durante aproximadamente dos minutos.

Color claro	Estado	Si el color no cambia en 2 minutos
Azul claro	La puerta de enlace emite su propia red.	Presione “Continuar” y repita los pasos 6 a 7.
Rojo	La emisión de BASCOGATEWAY-XXXXX se ha detenido; se está intentando conectar a la red. Esto es en el modo “WiFi Direct”.	Confirme que ha introducido el SSID y la contraseña correctos. Repita los pasos 4 a 7.
Azul oscuro (parpadeo lento)	El WiFi está conectado. El dispositivo está intentando conectarse a Internet.	Asegúrese de que la red está conectada a Internet.
Azul oscuro (parpadeo rápido)	El servidor Over the Air (OTA) está conectado. Se está instalando la actualización del firmware.	Espere a que se complete la actualización.
Verde	Conectado	Lleve a cabo el paso 9.

9. Regrese a la aplicación.

Visualización en la pantalla	Pasos para la resolución de problemas
“Por favor, espere mientras intentamos conectar con la puerta de enlace... esto puede tardar hasta 2 minutos”.	1. Asegúrese de que el dispositivo móvil y la puerta de enlace están conectados a la misma red. 2. Pulse el botón “Atrás” (esquina superior izquierda) hasta que aparezca la pantalla de inicio.
Pantalla de inicio	Lleve a cabo el paso 10.

10. Indique al usuario final que haga lo siguiente:

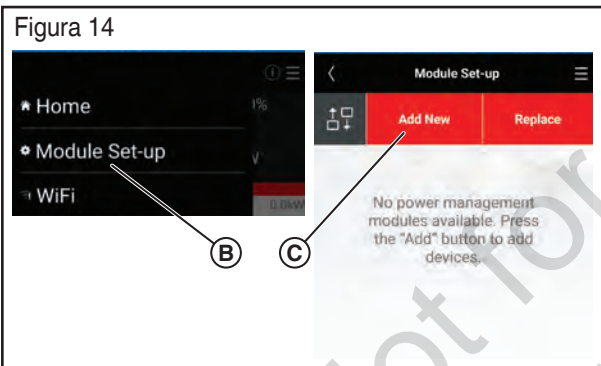
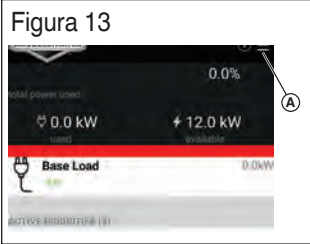
- Descargue e instale la aplicación Generador de energía de emergencia.
- Conecte su dispositivo móvil a la misma red que la puerta de enlace.

11. Realice los *pasos de configuración de los módulos de gestión de la energía* en la sección siguiente, si procede.

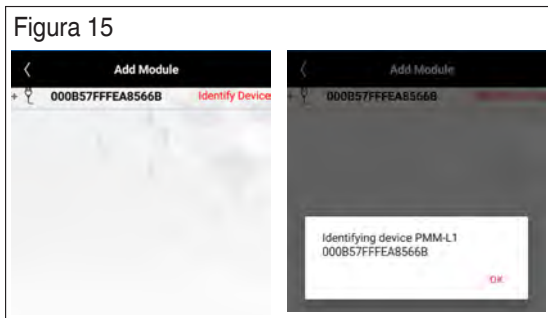
Configurar los módulos de gestión de la energía

Esta sección explica cómo conectar el módulo de gestión de energía a la puerta de enlace. Siga estos pasos después de conectar la puerta de enlace a una red WiFi.

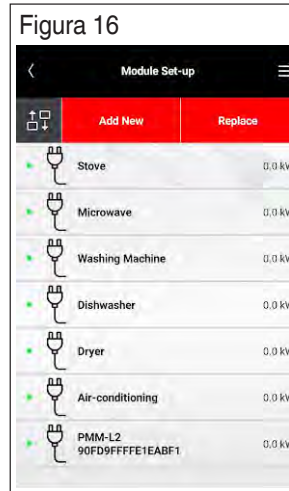
1. Abra su aplicación. Su dispositivo de gestión de energía aparece como disponible. En este ejemplo (Figura 13) se muestra que está disponible un generador de 12 kW.
2. Para agregar una carga, presione el menú superior derecho (A, Figura 13) y seleccione "Configuración del módulo" (B, Figura 14), luego "Agregar nuevo" (C) y luego "Continuar".



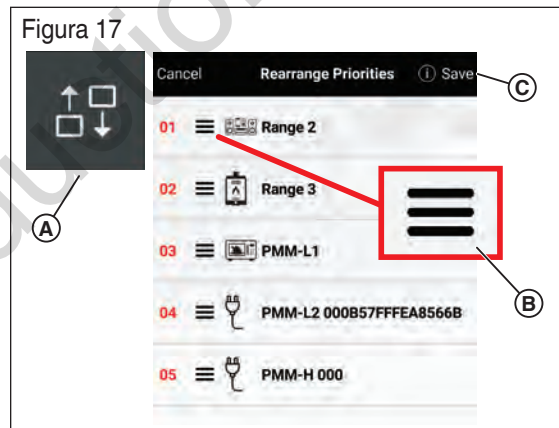
3. Presione el botón Configuración de red en todos los dispositivos de gestión de energía (G, Figura 2 / B, Figura 3).
 4. Regrese a la aplicación y siga los siguientes pasos:
 - Pulse "Identificar dispositivo" (Figura 15).
 - Espere a que la luz de red (L, Figura 2) del dispositivo de gestión de energía parpadee (en color ámbar).
 - Presione "Aceptar" en la aplicación
 - Elija el dispositivo previamente identificado.
 - Complete los campos "Nombre del dispositivo" y "Voltaje nominal".
- AVISO:** Los campos restantes son opcionales.
- Presione "Guardar".



AVISO: Después de emparejar varios módulos, la pantalla de la aplicación se parecerá a la imagen que sigue (Figura 16):

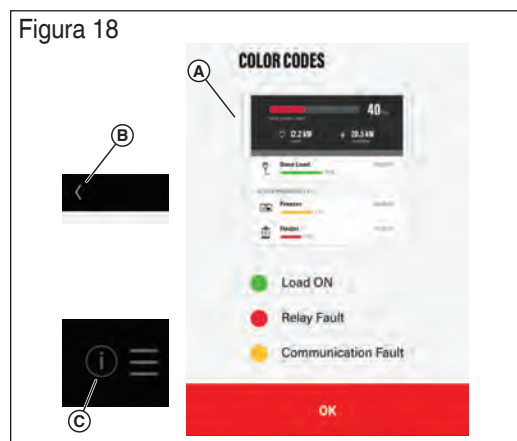


5. Pulse el ícono "Reorganizar" (A, Figura 17) para organizar las prioridades de la plataforma de carga. **AVISO:** Debería aparecer la pantalla "Reorganizar prioridades".
6. Presione y arrastre cada elemento (B, Figura 17) a la ubicación prioritaria deseada. Guarde cuando se haya completado (C).



AVISO: Debería aparecer la pantalla "Configuración del módulo".

7. **Opcional:** Para ver los códigos de color del "estado del generador y del estado de la carga" (A, Figura 18), pulse el botón de retroceso (B) y luego pulse el botón (i) (C) cerca del menú de la derecha.



AVISO: Los estados del generador y de la carga se mostrarán en las pantallas “Inicio” y “Configuración del módulo”.

Indicadores LED del módulo de puerta de enlace inalámbrica

Modo LED

- Cian (azul claro): modo WiFi Direct
- Rojo - No se puede conectar al punto de acceso de la red
- Azul oscuro -
Parpadeo lento: Conectado al punto de acceso a la red
Parpadeo rápido: La actualización del dispositivo está en proceso
- Verde: conectado a la nube InfoHub™

WiFi LED

- Encendido: Conectado a la nube de actualización del dispositivo
- Apagado: No está conectado a la nube de actualización del dispositivo

Visite nuestro sitio web www.briggsandstratton.com para obtener más información e instrucciones sobre el módulo de puerta de enlace inalámbrico.

Registro y activación

El acceso al portal de usuarios InfoHub™ requiere la compra de una suscripción. Debe registrarse y activar el sistema InfoHub en línea en www.infohubsp.com. En este sitio hay guías de usuario y videos instructivos.

Se le pedirá que lea y cumpla el Acuerdo de Servicio de Suscripción de InfoHub™ antes de la activación de la suscripción mensual, así como las Condiciones de Uso y la Política de Privacidad antes de acceder al portal de InfoHub™.

Visite www.briggsinfohub.com para ver esas políticas.

Para obtener asistencia para el registro y la activación, llame al equipo de asistencia de InfoHub™ al 1-833-463-6482.

Antes de la instalación, registre el número de serie del módulo en los espacios siguientes. Esta información es necesaria para asignar correctamente el módulo al equipo en el portal de usuario.

Puerta de enlace Amplify™

S/N:	
------	--

Equipo

Marca:	
Tipo de Equipo:	
Número de modelo:	
Número de serie	

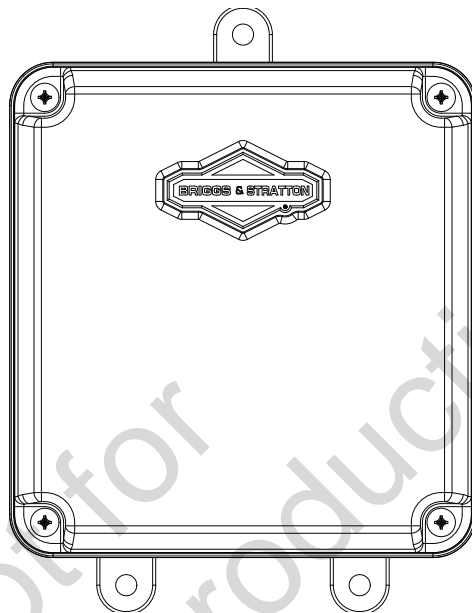
Requisitos mínimos del sistema - Portal del usuario

Navegadores y versiones compatibles
<ul style="list-style-type: none">• Chrome - Versión 59.0+ (o superiores)• Firefox - Versión 54.0+ (o superiores)• Safari - Versión 10.0+ (o superiores)• IE - Versión 11.0+ (o superiores)• Edge - Versión 15.0+ (o superiores)
Resolución mínima de la pantalla
<ul style="list-style-type: none">• 1280 x 720
Requisitos de la computadora
<ul style="list-style-type: none">• Intel® Core™ i3 o equivalente• 4 GB de memoria RAM• Acceso a Internet
Ajustes especiales
<ul style="list-style-type: none">• Las ventanas emergentes son necesarias para informar.• La URL utilizada para la herramienta iFrame debe ser compatible con iFrames.

Not for
Reproduction

Instructions d'installation et d'opération

Module de passerelle sans fil pour utilisation avec le système de gestion de l'alimentation Amplify™



Des questions?

De l'aide au bout des doigts!

Appeler notre service de dépannage :

(800) 732-2989 Du lundi au vendredi, de 8 h à 17 h, heure du Centre



Conserver ces directives

Consignes de sécurité importantes

CONSERVEZ CES DIRECTIVES – Ce manuel renferme d'importantes directives qu'il faut suivre durant l'installation et l'entretien de la génératrice et des batteries.



Décharge électrique



Lire le manuel

Les symboles de sécurité et leur signification

⚠ Le symbole d'alerte de sécurité indique un risque de blessure corporelle possible. Un mot-indicateur (DANGER, AVERTISSEMENT ou ATTENTION) est utilisé avec le symbole d'alerte pour indiquer la probabilité ou la gravité du danger. Un symbole de sécurité peut être utilisé pour représenter le type de danger. Le mot-indicateur AVIS est utilisé pour faire référence aux conditions d'utilisation non associées à des blessures corporelles.

⚠ DANGER indique un danger qui, si non évité, provoquera la mort ou des blessures graves.

⚠ AVERTISSEMENT indique un danger qui, si non évité, peut causer la mort ou des blessures graves.

⚠ ATTENTION indique un danger qui, si non évité, peut causer une blessure mineure ou modérée.

AVIS traite des pratiques qui ne sont pas liées aux blessures corporelles.

Le fabricant ne peut anticiper toutes les circonstances potentielles pouvant comporter un danger. Par conséquent, les avertissements figurant au présent manuel ainsi que sur les plaques et les décalques apposés sur l'unité, ne sauraient englober l'ensemble des possibilités. Si vous suivez une procédure, une méthode de travail ou une technique d'opération non spécifiquement recommandée par le fabricant, vous devez vous assurer qu'elle ne compromet ni votre sécurité, ni celle des autres. Vous devez également vous assurer que la procédure, la méthode de travail ou la technique d'utilisation que vous choisissez ne rend pas la génératrice dangereuse.

⚠ **AVERTISSEMENT** Ce produit contient du plomb et des composés de plomb reconnus par l'État de la Californie pour causer des malformations congénitales ou d'autres problèmes de reproduction. Se nettoyer les mains après la manipulation de ce produit. Cancer et effets nocifs sur la reproduction – www.P65Warnings.ca.gov



⚠ **AVERTISSEMENT** Risque de chocs électriques. L'installation des fils de basse et de haute tension dans le même conduit peut entraîner la mort, des blessures graves et des dommages matériels.

- Ne pas fixer les fils de basse et de haute tension dans le même conduit, sauf si la valeur nominale de l'isolation de TOUS les fils est de 600 V. Vous reporter au code national de l'électricité (NEC) pour de plus amples informations.



⚠ **AVERTISSEMENT** L'équipement fonctionne à une tension élevée qui pourrait provoquer une électrocution entraînant la mort ou des blessures graves.

- En dépit de la conception sécuritaire du système, le fait d'opérer l'équipement de façon imprudente, de ne pas l'entretenir ou d'être négligent peut causer la mort ou des blessures graves.



⚠ **AVERTISSEMENT** Le fait de ne pas mettre correctement l'équipement à la masse pourrait provoquer une électrocution mortelle ou de graves blessures.

- Ne pas toucher aux fils dénudés.
- Ne pas utiliser l'équipement si le câblage est usé, effiloché, dénudé ou autrement endommagé.
- Ne pas manipuler les cordons électriques les pieds dans l'eau ou les pieds nus ou lorsque les mains ou les pieds sont mouillés.
- Si vous devez travailler autour d'une unité alors qu'elle est en marche, vous placer sur une surface sèche isolée afin de réduire les risques d'électrocution.
- Ne pas laisser les personnes non qualifiées ni des enfants utiliser ou assurer un entretien de l'équipement.
- En cas d'accident causé par une électrocution, mettre immédiatement toute source d'alimentation électrique hors tension et communiquer avec les autorités locales. Éviter tout contact direct avec la victime.

AVIS Le traitement inadéquat de l'équipement peut l'endommager et réduire sa durée de vie utile.

- N'utiliser l'équipement qu'aux fins prévues.
- Si vous avez des questions à propos de l'utilisation prévue de cet appareil, consulter votre détaillant ou communiquer avec Briggs & Stratton.
- Ne pas exposer l'équipement à l'humidité excessive, à la poussière, à la saleté ou aux vapeurs corrosives.
- Demeurer alerte en tout temps lorsque vous travaillez sur cet équipement. Ne jamais travailler sur l'équipement si vous êtes fatigué physiquement ou mentalement.
- Si les appareils branchés surchauffent, éteindre et mettre leur disjoncteur ou fusible hors tension.

AVIS Information pour l'utilisateur de la FCC Partie 15

Au titre de la partie 15.21 des règlements de la FCC, nous vous avertissons que tout changement ou que toute modification que Briggs and Stratton n'a pas approuvé expressément pourrait annuler votre autorité d'utiliser cet appareil.

Ces dispositifs se conforment à la partie 15 du règlement de la FCC. Le fonctionnement est assujéti aux deux conditions suivantes : (1) Ce dispositif ne doit pas générer d'interférences nuisibles, et (2) ce dispositif doit accepter toute interférence qui peut causer un fonctionnement non désiré.

Cet équipement a été testé et déclaré conforme aux limites d'interférences relatives aux appareils numériques de classe B de la partie 15 du règlement de la FCC. Ces limites sont élaborées dans le but de fournir une protection raisonnable contre les interférences nuisibles dans une installation résidentielle. Cet équipement génère, utilise et émet des radiofréquences et peut causer des interférences nuisibles aux communications radio lorsqu'il n'est pas installé et utilisé conformément à ces instructions. Cependant, nous ne pouvons pas vous garantir que des interférences ne se produiront pas dans certaines installations. Si cet équipement cause des interférences nuisibles à la réception de la radio ou de la télévision, ce qui peut être déterminé en allumant et éteignant l'équipement, essayer d'éliminer ces interférences en effectuant une ou plusieurs des mesures suivantes :

- Réorienter ou déplacer l'antenne réceptrice.
- Augmenter la distance entre l'équipement et le récepteur.
- Ne pas brancher l'équipement sur une prise du même circuit sur lequel est branché le récepteur.
- Communiquer avec le concessionnaire ou un technicien spécialiste des radios et télévisions pour obtenir de l'aide.

AVIS Information pour l'utilisateur de IC

Ce dispositif est conforme au cahier des RSS pour les appareils radio exempts de licence. Le fonctionnement est assujéti aux deux conditions suivantes :

- (1) Ce dispositif pourrait ne pas causer d'interférences; et
- (2) Ce dispositif ne doit pas générer d'interférences, incluant les interférences pouvant causer un fonctionnement non désiré.

AVIS Énoncé pour l'utilisateur sur l'exposition aux rayonnements RF de la FCC

Cet équipement est conforme aux limites d'exposition aux rayonnements définies pour un environnement non contrôlé par la FCC. Les utilisateurs finaux doivent respecter les instructions d'utilisation spécifiques pour se conformer aux directives sur l'exposition aux rayonnements RF. Cet appareil satisfait aux limites d'exposition indiquées dans une analyse d'exposition aux rayonnements RF. Cet appareil doit être installé de sorte qu'il y ait en tout temps une distance de 20 cm entre l'appareil et les gens.

Informations générales

Description de l'équipement

Ce produit doit être utilisé seulement comme source facultative de commande sans fil de génératrice pour le propriétaire. Il permet de régler la priorité des charges attribuées telles que les systèmes de chauffage, de réfrigération et de communication commandés par la génératrice. Il fournit aussi de l'information sur l'état de la génératrice au nuage InfoHub™.

Comment nous joindre

Vous n'aurez jamais à chercher bien loin pour trouver un centre de soutien et service pour votre génératrice. Consulter les Pages Jaunes. Il y a plusieurs détaillants de service agréés partout dans le monde qui fournissent des services de qualité. Vous pouvez aussi communiquer avec le Service technique par téléphone au 800-732-2989 de 8 h à 17 h, heure du centre, ou cliquer sur Outil de recherche d'un détaillant sur www.briggsandstratton.com pour obtenir une liste des détaillants agréés.

Spécifications du produit

Tension nominale 12 V.c.c.
Plage d'utilisation normale De -20 °F (-28,8 °C) à 104 °F (40 °C)
Poids 0,81 lb (0,37 kg)

* Ce dispositif est listé auprès de UL (Underwriters Laboratories).

Veillez fournir les renseignements suivants et conserver votre reçu pour vous aider dans l'identification de l'appareil lors de vos prochains achats d'équipement.

Numéro de modèle _____

Révision _____

Numéro de série _____

Date d'achat _____

Avant l'installation

Seuls des professionnels spécialisés en électricité autorisés devraient procéder à l'installation de modules sans fil. Les installations doivent être conformes à l'ensemble des codes et des normes de l'industrie ainsi qu'à l'ensemble des lois et des règlements applicables.

Dans certaines régions, vous pourriez avoir besoin d'un permis électrique pour installer des modules sans fil. L'installateur est tenu de vérifier les codes locaux et d'obtenir les permis requis avant de procéder à l'installation du module.

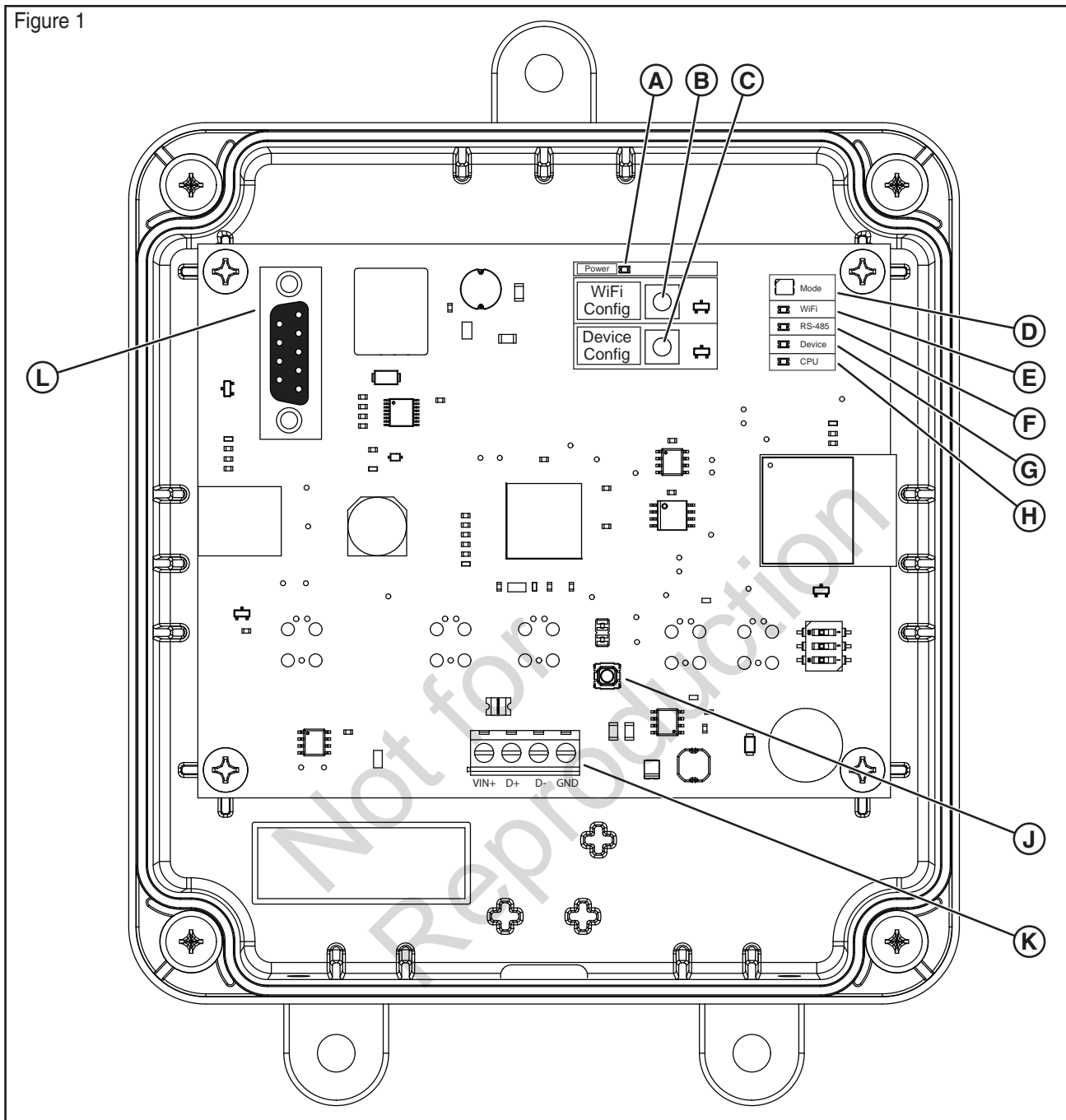
Si l'installation du module de passerelle sans fil n'est pas effectuée par un professionnel en électricité certifié, la garantie sera ANNULÉE.

Responsabilités de l'installateur

- Lire et respecter toutes les consignes de sécurité.
- Lire et suivre les instructions indiquées dans le présent guide d'installation et d'utilisation.
- Toute installation doit être conforme à l'ensemble des codes et des normes de l'industrie ainsi qu'à l'ensemble des lois et des règlements applicables.
- Allouer suffisamment d'espace sur tous les côtés du module sans fil pour l'entretien et le service.

Le module sans fil peut être installé à n'importe quel endroit pratique avec un bon signal sans fil, à l'intérieur ou à l'extérieur. Le module de passerelle sans fil doit être accessible pour l'entretien. Discuter des suggestions/changements de disposition avec le propriétaire avant d'entamer le processus d'installation du système.

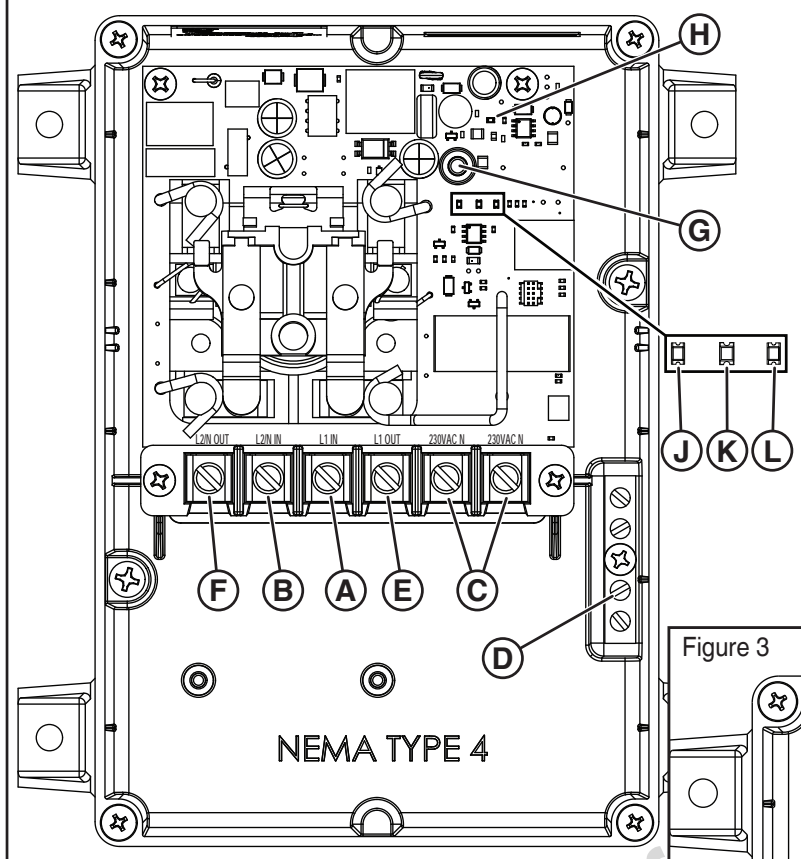
Figure 1



- A • Indicateur d'alimentation à DEL
- B • Bouton de configuration de Wi-Fi
- C • Bouton de configuration d'appareil
- D • DEL Mode
- E • Indicateur de Wi-Fi à DEL
- F • Indicateur à DEL de RS-485

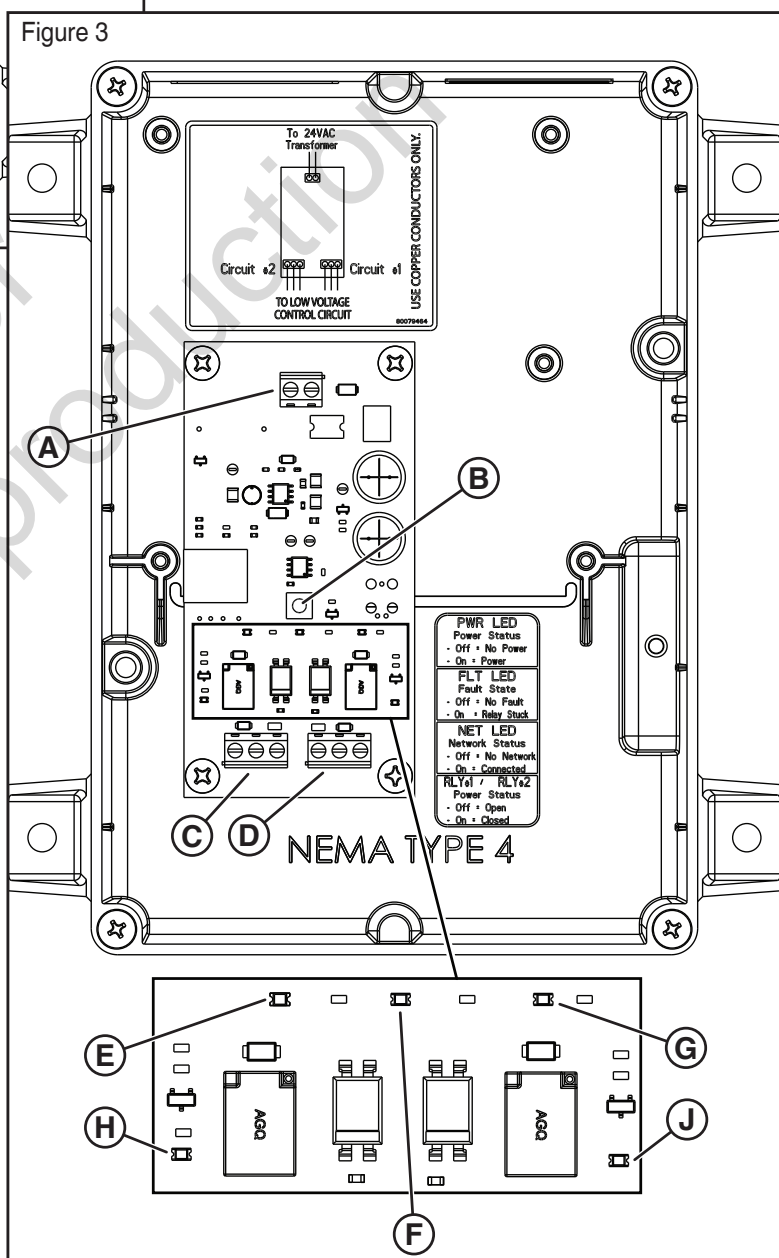
- G • Indicateur à DEL de l'appareil
- H • Indicateur à DEL de CPU
- J • Bouton de réinitialisation
- K • Bloc de raccordement d'entrée (raccords sur place)
- L • Port de service (en série)

Figure 2



- A • L1 d'entrée
- B • L2/N d'entrée
- C • 230 V.c.a. N
- D • Masse
- E • L1 de sortie
- F • L2/N de sortie
- G • Bouton de configuration du réseau (Joindre)
- H • DEL d'alimentation
- J • DEL de relais
- K • DEL de défaillance
- L • DEL de réseau

Figure 3



- A • Entrée d'alimentation de 24 V.c.a.
- B • Bouton de configuration du réseau (Joindre)
- C • Sortie de charge n° 2
- D • Sortie de charge n° 1
- E • DEL de défaillance
- F • DEL de réseau
- G • DEL d'alimentation
- H • DEL de sortie 2
- J • DEL de sortie 1

Installation

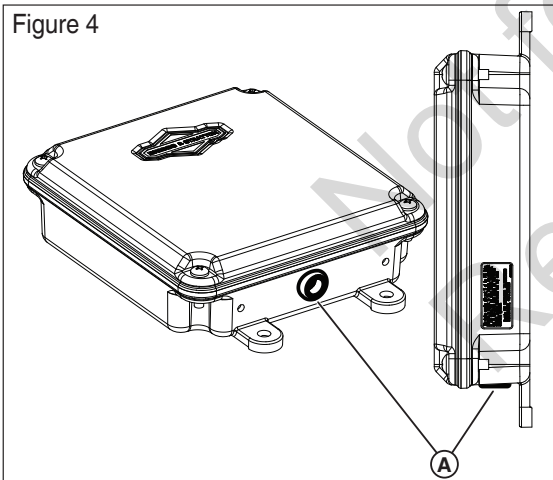
Nous recommandons que vous utilisiez un câble double paire torsadée blindée 18 AWG pour raccorder le module de passerelle sans fil à la génératrice. Ce câble est offert par Briggs and Stratton. Pour de plus amples renseignements, veuillez visiter notre site Web sur www.briggsandstratton.com.

Directives d'assemblage

Les modules de gestion de l'alimentation sont contenus dans un boîtier NEMA de Type 4. Les composants du module de passerelle sans fil sont contenus dans un boîtier NEMA de Type 3R qui peut être utilisé tant à l'intérieur qu'à l'extérieur. Les directives d'assemblage du boîtier comprennent des informations à propos de ce qui suit :

- Installer le boîtier sur une structure portante ferme et robuste.
- Le boîtier doit être accessible pour l'entretien.
- Ne jamais installer le dispositif dans un endroit où une substance corrosive pourrait s'infiltrer.
- Protéger le dispositif en tout temps contre l'humidité, les poussières, les saletés, les peluches, le gravier et les vapeurs corrosives.
- Installer un boîtier pour maximiser la performance sans fil. Éviter de monter le boîtier dans des espaces métalliques restreints. Dans la mesure du possible, monter le boîtier dans un espace ouvert.
- Le boîtier doit être monté à la verticale de sorte que l'œillet (A, Figure 4) soit au fond pour éviter que de l'eau s'infilte dans le boîtier.

Figure 4



Débrancher l'alimentation

Avant de procéder à l'entretien de la génératrice, toujours suivre les étapes suivantes :

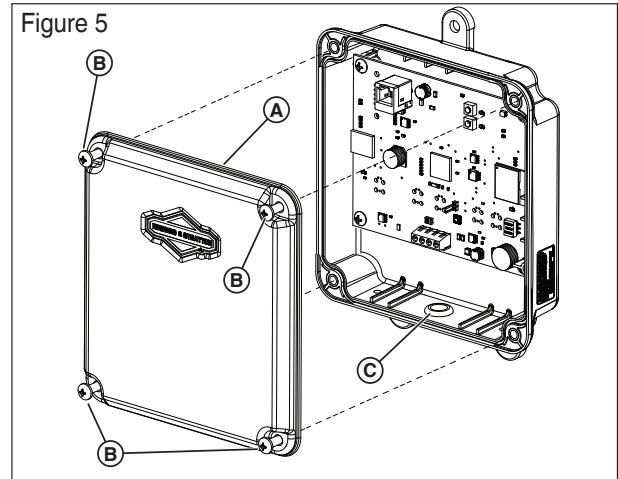
1. Placer l'interrupteur de la génératrice en position **ARRÊT**.
2. Régler le disjoncteur principal de la génératrice à la position **ARRÊT**.
3. Retirer le fusible de la génératrice principale.
4. **De la tension de service est présente au tableau de commande de la génératrice.** Retirer les fusibles du commutateur de transfert pour déconnecter l'alimentation avant d'effectuer l'entretien du tableau de commande.

5. Débrancher le câble négatif de la batterie de la borne négative de la batterie marquée **NÉGATIF**, **NÉG** ou **(-)**.

Raccorder les câbles

Retirer le couvercle (A, Figure 5) du module de passerelle sans fil en desserrant les vis (B). NE PAS enlever l'œillet en caoutchouc (C) du trou au fond du boîtier.

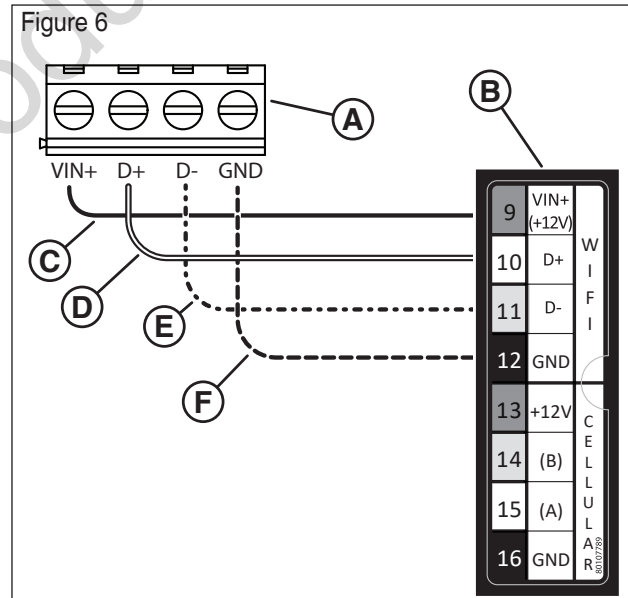
Figure 5



Modèles PowerProtect de 17 kW, de 20 kW et de 26 kW (Figure 6) :

Raccorder les entrées du module de passerelle sans fil (A, Figure 6) aux blocs de raccordement de câblage sur place « Wi-Fi » de la génératrice (B). Les connexions du bloc de branchement du module de passerelle sans fil et celles du bloc de branchement de la génératrice doivent avoir un couple de 0,5 Nm (4,4 po-lb).

Figure 6

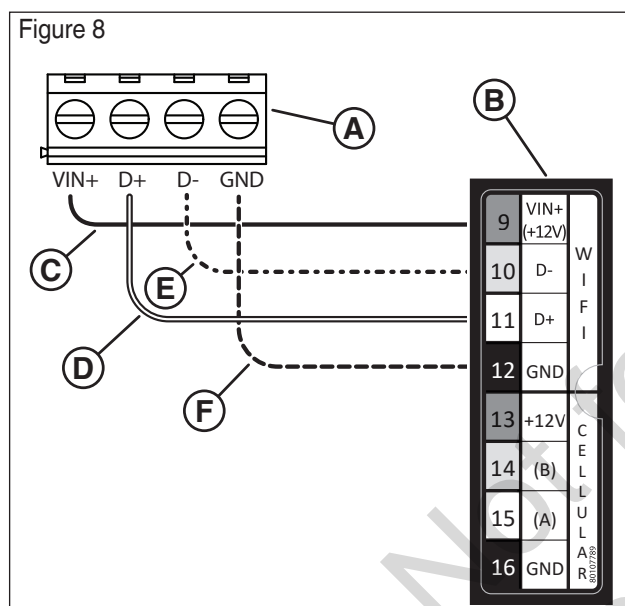


1. Raccorder le câble rouge (C, Figure 6) à la borne « WiFi VIN+ (+12 V) » sur la génératrice et à la borne « VIN(+) » sur le module de passerelle sans fil.
2. Raccorder le câble noir (F, Figure 6) à la borne « Wi-Fi GND » (Wi-Fi MASSE) sur la génératrice et à la borne « GND » (MASSE) sur le module de passerelle sans fil.

3. Raccorder le câble blanc (D, Figure 6) à la borne « WiFi D+ » sur la génératrice et à la borne « D+ » sur le module de passerelle sans fil.
4. Raccorder le câble orange (E, Figure 6) à la borne « WiFi D- » sur la génératrice et à la borne « D- » sur le module de passerelle sans fil.
5. Raccorder le câble de blindage (le cas échéant) soit à la borne GND sur le module de passerelle sans fil, soit à la borne « Wi-Fi GND » sur la génératrice et NON aux deux.

Modèles PowerProtect™ de 12 kW (Figure 8) :

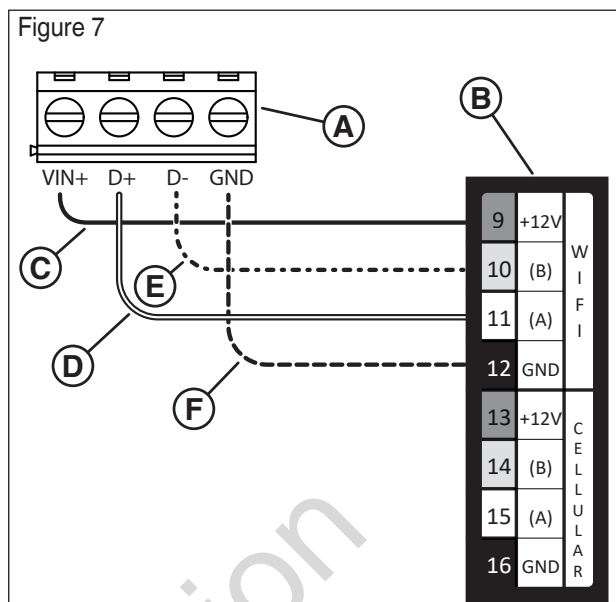
Raccorder les entrées du module de passerelle sans fil (A, Figure 8) aux blocs de raccordement de câblage sur place « WiFi » de la génératrice (B). Les connexions du bloc de branchement du module de passerelle sans fil et celles du bloc de branchement de la génératrice doivent avoir un couple de 0,5 Nm (4,4 po-lb).



1. Raccorder le câble rouge (C, Figure 8) à la borne « WiFi VIN+ (+12 V) » sur la génératrice et à la borne « VIN(+) » sur le module de passerelle sans fil.
2. Raccorder le câble noir (F, Figure 8) à la borne « WiFi GND » (Wi-Fi MASSE) sur la génératrice et à la borne « GND » (MASSE) sur le module de passerelle sans fil.
3. Raccorder le câble blanc (D, Figure 8) à la borne « WiFi D+ » sur la génératrice et à la borne « D+ » sur le module de passerelle sans fil.
4. Raccorder le câble orange (E, Figure 8) à la borne « WiFi D- » sur la génératrice et à la borne « D- » sur le module de passerelle sans fil.
5. Raccorder le câble de blindage (le cas échéant) soit à la borne GND sur le module de passerelle sans fil, soit à la borne « Wi-Fi GND » sur la génératrice et NON aux deux.

Modèles Fortress et Briggs & Stratton®, le cas échéant (Figure 7) :

Raccorder les entrées du module de passerelle sans fil (A, Figure 7) aux blocs de raccordement de câblage sur place « WiFi » de la génératrice (B). Les connexions du bloc de branchement du module de passerelle sans fil et celles du bloc de branchement de la génératrice doivent avoir un couple de 0,5 Nm (4,4 po-lb).



1. Raccorder le câble rouge (C, Figure 7) à la borne « WiFi +12 V » sur la génératrice et à la borne « VIN(+) » sur le module de passerelle sans fil.
2. Raccorder le câble noir (F, Figure 7) à la borne « WiFi GND » (Wi-Fi MASSE) sur la génératrice et à la borne « GND » (MASSE) sur le module de passerelle sans fil.
3. Raccorder le câble blanc (D, Figure 7) à la borne « WiFi A » sur la génératrice et à la borne « D+ » sur le module de passerelle sans fil.
4. Raccorder le câble orange (E, Figure 7) à la borne « WiFi B » sur la génératrice et à la borne « D- » sur le module de passerelle sans fil.
5. Raccorder le câble de blindage (le cas échéant) soit à la borne GND sur le module de passerelle sans fil, soit à la borne « Wi-Fi GND » sur la génératrice et NON aux deux.

Fermer la génératrice et installer les fusibles

TOUJOURS suivre les étapes suivantes après d'accomplir toute tâche d'installation, d'entretien ou de réparation :

1. Utiliser les attaches pour organiser les câbles et pour fixer la longueur excessive de câbles.
2. Installer toutes les composantes retirées.
3. Brancher le câble négatif de la batterie à la borne négative de la batterie marquée NÉGATIF, NÉG ou (-).
4. Installer les fusibles dans le commutateur de transfert.
5. Installer le fusible de la génératrice.
6. Régler le disjoncteur de la génératrice à **MARCHE**.

7. Régler le commutateur de la génératrice à **AUTO/Auxiliaire**.

Le module de passerelle sans fil doit s'allumer automatiquement. Vérifier que le DEL D'ALIMENTATION (POWER) (A, Figure 1) est allumé.

Configurer la passerelle au système de gestion de l'alimentation

Utiliser cette procédure pour connecter le module de passerelle sans fil InfoHub™ (appelé également « passerelle ») au système de gestion de l'alimentation Amplify™ pour une connexion sans fil.

Avant de commencer :

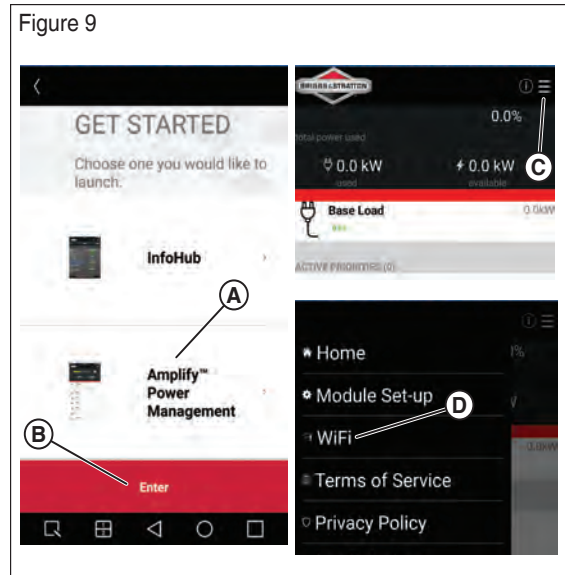
- Placer la passerelle dans la portée du système de gestion de l'alimentation. La portée exacte variera selon l'environnement domestique et sera déterminé par les techniciens d'installation (voir la section *Directives d'assemblage*).
- S'assurer que le voyant d'alimentation vert (A, Figure 1) est allumé et que la DEL MODE (D, Figure 1) clignote en bleu clair.

1. Connecter l'appareil mobile au réseau Wi-Fi qui sera jumelé à la passerelle.
2. Télécharger et installer l'application de *gestion de génératrice de secours* sur un appareil mobile. Utiliser *Google Play Store* pour Android ou *Apple Play Store* pour iOS.

AVIS : L'écran « COMMENCER » (GET STARTED) s'affichera après l'installation (Figure 9).

3. Appuyer sur ce qui suit dans l'application :

- « Gestion de l'alimentation Amplify » (Amplify Power Management) (A, Figure 9).
- « Retour » (Enter) (B)
- Menu en haut à droite (C)
- « Wi-Fi » (D)

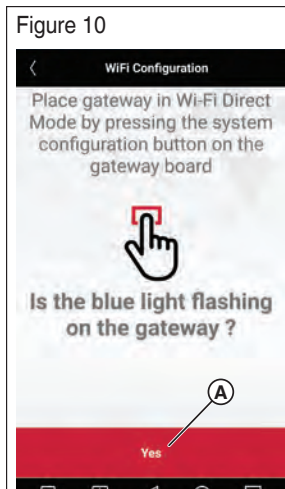


AVIS : L'icône à gauche de « Wi-Fi » (D) changera si le module de passerelle est déjà connecté à un réseau.

4. Mettre le module de passerelle sans fil en « mode Wi-Fi direct » en appuyant sur le bouton *Configuration Wi-Fi* (B, Figure 1) sur la carte de passerelle sans fil et en le gardant enfoncé pendant 5 secondes. La MODE à DEL (D, Figure 1) clignotera.
5. Suivre les étapes dans le tableau suivant selon la couleur du *Mode à DEL* (D, Figure 1).

Si le MODE à DEL (D, Figure 1) est :	Effectuer ce qui suit sur la passerelle :
Bleu clair	Appuyer sur OUI (YES) (A, Figure 10)
Bleu foncé	<ul style="list-style-type: none"> • Appuyer sur le bouton <i>Réinitialiser</i> (Reset) (J, Figure 1). • Garder enfoncé le bouton <i>Configuration Wi-Fi</i> (B, Figure 1) pendant 5 secondes. • Répéter jusqu'à ce que la DEL (D, Figure 1) soit bleu clair.
Rouge	
Vert	

AVIS : Bleu foncé et vert indiquent que la passerelle est déjà connectée à un réseau.



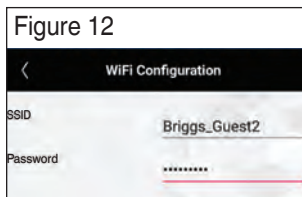
6. Ouvrir la page des paramètres Wi-Fi de l'appareil mobile et choisir le nom de réseau suivant : BASCOGATEWAY-XXXXX (C, Figure 11). Revenir à l'application et appuyer sur « Continuer » (B, Figure 11).

AVIS : L'appareil peut afficher un avertissement à l'effet que le réseau Wi-Fi n'est pas connecté à Internet; appuyer sur cet avertissement et confirmer que vous voulez rester connecté.



7. À l'invite (Figure 12), entrer le SSID et le mot de passe (les deux sont sensibles à la casse) du réseau auquel la passerelle sera connectée. Appuyer sur « Connecter ». Le jumelage de l'appareil mobile à la passerelle commencera.

AVIS : Le processus de connexion peut prendre environ 2 minutes pour que la connexion s'établisse.



8. Suivre les étapes dans le tableau suivant selon la couleur du *Mode* à DEL (D, Figure 1).

AVIS : La séquence de clignotement typique va de « *bleu clair* > *rouge* > *bleu foncé* > *vert* » pendant environ deux minutes.

Couleur	État	Si la couleur ne change pas en 2 minutes
Couleur claire		Si la couleur ne change pas en 2 minutes
Bleu clair	La passerelle diffuse son propre réseau.	Appuyer sur « Continuer » et répéter les étapes 6 à 7.
Rouge	Diffusion de BASCOGATEWAY-XXXXX arrêtée; tentative de connexion au réseau en cours. C'est en mode « Wi-Fi Direct ».	Confirmer que les bons SSID et mot de passe ont été entrés. Répéter les étapes 4 à 7.
Bleu foncé (clignotement lent)	Wi-Fi connecté. L'appareil tente de se connecter à Internet.	S'assurer que le réseau est connecté à Internet.
Bleu foncé (clignotement rapide)	Le serveur en direct (OTA) est connecté. La mise à jour du micrologiciel est en cours d'installation.	Attendre que la mise à jour soit terminée.
Vert	Connecté	Exécuter l'étape 9.

9. Revenir à l'application.

Afficher sur l'écran	Étapes de dépannage
« Veuillez attendre pendant que nous tentons d'établir une connexion à la passerelle...ce processus peut prendre jusqu'à deux minutes. » (Please wait while we attempt to connect to the gateway...this may take up to 2 minutes.)	1. S'assurer que l'appareil mobile et la passerelle sont connectés au même réseau. 2. Appuyer sur le bouton « Précédent » (coin supérieur gauche) jusqu'à ce que l'écran d'accueil s'affiche.
Écran d'accueil	Exécuter l'étape 10.

10. Dire à l'utilisateur final de faire ce qui suit :

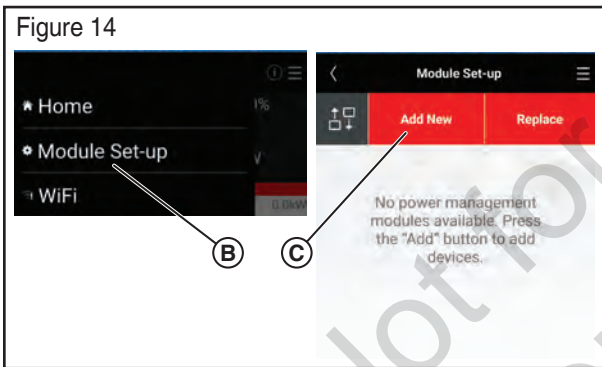
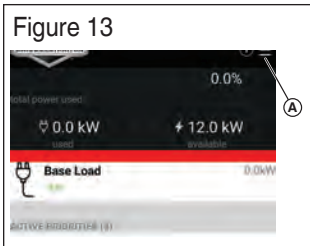
- Télécharger et installer l'application de gestion de génératrice de secours.
- Connecter son appareil mobile au même réseau que la passerelle.

11. Exécuter les étapes de *configuration des modules de gestion de l'alimentation* dans la section qui suit, le cas échéant.

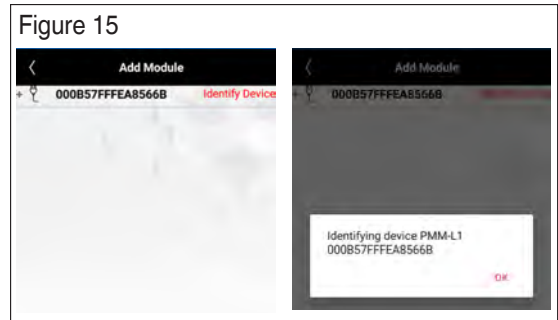
Configurer les modules de gestion de l'alimentation

Cette section explique comment connecter le module de gestion de l'alimentation à la passerelle. Exécuter ces étapes après avoir connecté la passerelle au réseau Wi-Fi.

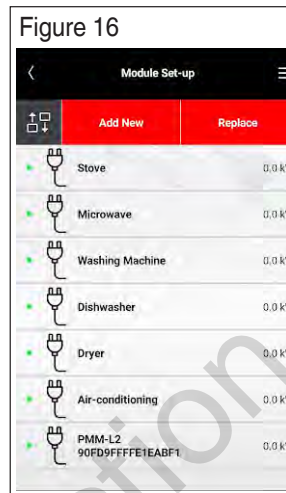
1. Ouvrir votre application. Votre appareil de gestion de l'alimentation indique qu'il est disponible. Dans cet exemple (Figure 13), une génératrice de 12 kW est disponible.
2. Pour ajouter une charge, appuyer sur le menu droit supérieur (A, Figure 13) et choisir « Configuration du module » (Module Setup) (B, Figure 14), puis sur « Ajouter nouveau » (Add New) (C), puis sur « Continuer ».



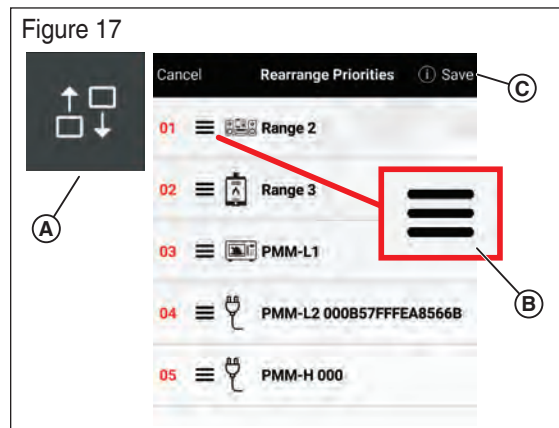
3. Appuyer sur le bouton *Configuration du réseau* sur tous les appareils de gestion d'alimentation (G, Figure 2 / B, Figure 3).
 4. Revenir à l'application et exécuter les étapes qui suivent :
 - Appuyer sur « Identifier l'appareil » (Identify Device) (Figure 15).
 - Attendre que le témoin réseau (L, Figure 2) sur l'appareil de gestion de l'alimentation clignote (de couleur ambre).
 - Appuyer sur « OK » dans l'application.
 - Choisir l'appareil identifié antérieurement.
 - Remplir les champs « Nom de l'appareil » (Device Name) et « Tension nominale » (Nominal Voltage).
- AVIS :** Le reste des champs sont facultatifs.
- Appuyer sur « Enregistrer » (Save).



AVIS : Après que des modules multiples auront été jumelés, l'écran ressemblera à l'image qui suit (Figure 16) :



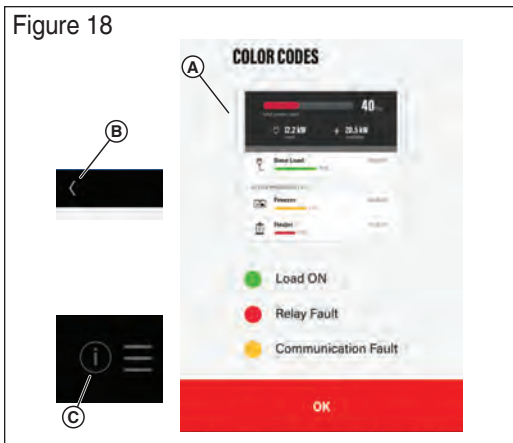
5. Appuyer sur l'icône « Réarranger » (A, Figure 17) pour arranger les priorités de délestage.
- AVIS :** L'écran « Réarranger les priorités » doit s'afficher.
6. Appuyer sur chaque article et le faire glisser (B, Figure 17) à l'endroit de priorité désiré. Enregistrer lorsque les étapes sont complétées (C).



AVIS : L'écran « Configuration du module » (Module Set-up) doit s'afficher.

7. **Facultatif :** Pour consulter les codes de couleur « état de la génératrice et état de la charge » (A, Figure 18), appuyer sur le bouton précédent (B), puis sur le bouton (i) (C) près du côté droit du menu.

Figure 18



AVIS : Les états de la génératrice et de la charge s'afficheront sur les écrans « Accueil » (Home) « Configuration du module » (Module Set-up).

Indicateurs DEL du module de passerelle sans fil

DEL Mode

- Cyan (bleu clair) – Mode Wi-Fi direct
- Rouge – Impossible d'établir de connexion à un point d'accès du réseau
- Bleu foncé –
Clignotement lent : Connecté au point d'accès du réseau
Clignotement rapide : Mise à niveau de l'appareil en cours
- Vert – Connecté au nuage InfoHub™

DEL de Wi-Fi

- Allumé : Connecté au nuage de mise à niveau de l'appareil
- Éteint : Non connecté au nuage de mise à niveau de l'appareil

Veuillez visiter le site Web www.briggsandstratton.com pour de plus amples renseignements et des instructions sur le module de passerelle sans fil.

Inscription et activation

L'accès au portail d'utilisateur InfoHub™ nécessite l'achat d'un abonnement. Vous devez inscrire et activer le système InfoHub sur www.infohubsp.com. Des guides d'utilisation et des vidéos éducatives sont offerts sur ce site.

Vous devrez lire et accepter le contrat de service de l'abonnement à InfoHub™ avant l'activation de l'abonnement mensuel, ainsi que les conditions générales d'utilisation et la politique de confidentialité avant l'accès au portail InfoHub™. Veuillez visiter le www.briggsinfohub.com pour consulter ces politiques.

Pour obtenir de l'aide relative à l'inscription et à l'activation, appeler l'équipe de soutien à la clientèle d'InfoHub™ au 1-833-463-6482.

Avant l'installation, inscrire le numéro de série (S/N) du module dans les espaces ci-dessous. Ces renseignements sont requis pour correctement attribuer le module à l'équipement dans le portail d'utilisateur.

Passerelle Amplify™

S/N :	
-------	--

Équipement

Marque :	
Type d'équipement :	
Numéro de modèle :	
Numéro de série	

Exigences système minimales – Portail d'utilisateur

Navigateurs compatibles et versions
<ul style="list-style-type: none"> • Chrome – Version 59.0+ • Firefox – Version 54.0+ • Safari – Version 10.0+ • IE – Version 11.0+ • Edge – Version 15.0+
Résolution d'affichage minimale
<ul style="list-style-type: none"> • 1280 x 720
Configuration de l'ordinateur requise
<ul style="list-style-type: none"> • Intel® Core™ i3 ou équivalent • 4 Go de RAM • Accès à Internet
Réglages spéciaux
<ul style="list-style-type: none"> • L'activation des fenêtres surgissantes est requise pour les rapports. • L'adresse URL utilisée pour l'outil iFrame doit prendre en charge les iFrame.

Not for
Reproduction