



## Installation Instructions



Wireless Monitoring For Standby Generators

Model 6517-00

Questions?

Help is just a moment away!

Call Technical Services **1-833-463-6482**

Monday-Friday 8:00 am to 5:00 pm Central Time

# Advanced Monitoring Kit Contents

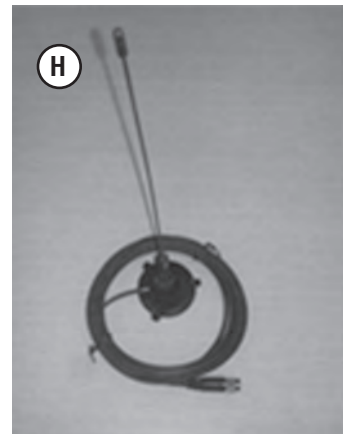
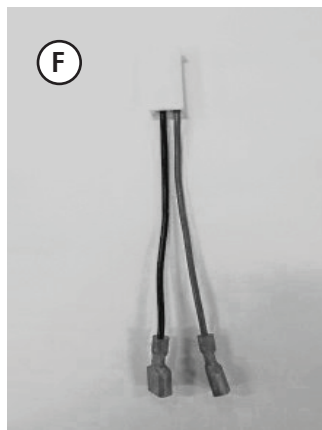
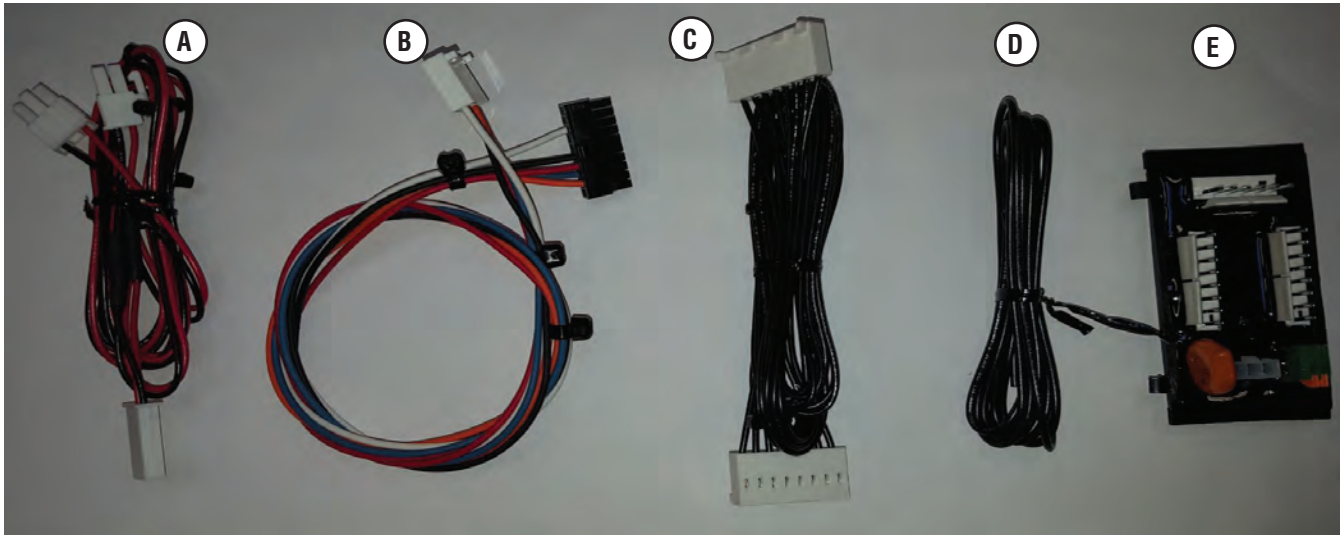
Keep this document with the generator operator's manual after installation is complete.

## infohub™ Kit Contents:

- 240V Splitter Harness (A)
- Cellular Unit Wire Harness (B)
- Pass-Through Wire Harness (C)
- Relay Wire (D)
- Interface Board (E)
- Adapter for Liquid-Cooled Unit (F)
- Cellular Unit (G)
- Antenna (H)
- Wire Ties
- Rubber Grommet


## Items needed to install the kit:


- Drill with 3/8 inch bit
- Alcohol wipes or other cleaning solution
- Standard and Phillips screwdrivers
- Volt meter or multimeter
- Wire cutter/stripper
- Deburring Tool
- Rust Inhibitor




**SAVE THESE INSTRUCTIONS** - This installation sheet contains important safety instructions that should be followed during installation of the equipment.

## Safety Alert Symbol and Signal Words

The safety alert symbol  is used to identify safety information about hazards that can result in personal injury. A signal word (DANGER, WARNING, or CAUTION) is used with the alert symbol to indicate the likelihood and potential severity of injury. In addition, a hazard symbol may be used to represent the type of hazard.

 **DANGER** indicates a hazard which, if not avoided, will result in death or serious injury.

 **WARNING** indicates a hazard which, if not avoided, could result in death or serious injury.

 **CAUTION** indicates a hazard which, if not avoided, could result in minor or moderate injury.

**NOTICE** indicates an action that could result in damage to the product.

## Hazard Symbols and Meanings



Electrical Shock





Rotating Parts



Auto Start


Only qualified, licensed electricians should perform this installation, which must strictly comply with applicable codes, standards, and regulations.

 **WARNING** “This product can expose you to chemicals including gasoline, engine exhaust, which is known to the State of California to cause cancer and carbon monoxide, which is known to the State of California to cause birth defects or other reproductive harm. For more information go to [www.P65Warnings.ca.gov](http://www.P65Warnings.ca.gov).”

 **CAUTION** Installing the 15 Amp fuse could cause the engine to start at any time without warning, resulting in minor or moderate injury.



- Observe that the 15 Amp fuse has been removed from the control panel before servicing.
- **DO NOT** install this fuse until all wiring has been completed and inspected.

 **WARNING** Generator produces hazardous voltage. Failure to properly ground generator could result in electrocution. Failure to isolate generator from utility power could result in death or serious injury to electric utility workers, due to back-feed of electrical energy.



- **DO NOT** touch bare wires or bare receptacles.
- **DO NOT** use generator with electrical cords which are worn, frayed, bare, or otherwise damaged.
- **DO NOT** handle generator or electrical cords while standing in water, while barefoot, or while hands or feet are wet.
- If you must work around a unit while it is operating, stand on an insulated dry surface to reduce the risk of a shock hazard.
- **DO NOT** allow unqualified persons or children to operate or service generator.
- In case of an accident caused by electrical shock, immediately shut down the source of electrical power and contact the local authorities. Avoid direct contact with the victim.
- Despite the safe design of the generator, operating this equipment imprudently, neglecting its maintenance, or being careless could cause possible injury or death.
- Remain alert at all times while working on this equipment. Never work on the equipment when you are physically or mentally fatigued.
- Before performing any maintenance on the generator, first disconnect the battery cable indicated by a **NEGATIVE**, **NEG**, or **(-)**. When finished, reconnect that cable last.
- After your system is installed, the generator may crank and start without warning any time there is a power failure. **BEFORE** working on the equipment, and to prevent possible injury, always set the generator system switch to **OFF**, remove the service disconnect fuse from the disconnect box, and remove the 15 Amp fuse.

# Installation


**Thank you** for purchasing this home standby accessory. When installed according to these instructions, the monitoring device will provide years of dependable service. Keep your purchase receipt with this instruction sheet and store with your other generator manuals after installation.

**IMPORTANT:** Illustrations used in this document are for reference and may not represent the actual unit being serviced. Your installation will be similar.

Before starting the installation, refer to **Suggested infohub™ Installation Locations** at the end of these instructions to identify your particular type of generator. The preferred mounting locations for the interface board (E) and the cellular unit (G) will be shown in those illustrations.

## Disconnect Power

**⚠ WARNING** Shock Hazard. Hazardous voltage from utility service or generator could cause death or serious injury. Remove all sources of supply voltage and follow all disconnect power instructions prior to performing any service work. Verify with a meter that utility power has been disconnected.



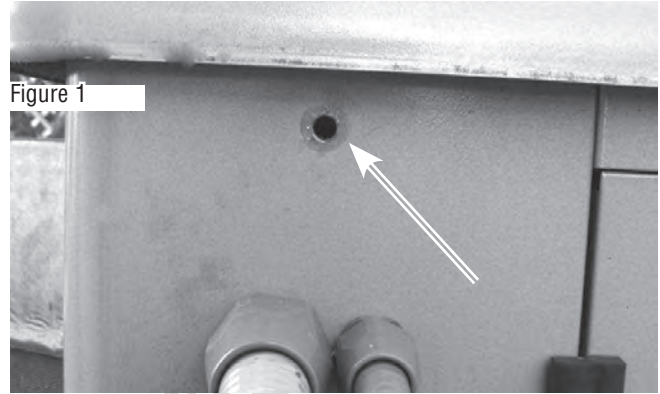
Before performing any installation, maintenance, or service on the generator, **ALWAYS** perform the following steps:

1. Set generator system switch to **OFF**.
2. Set generator circuit breaker to **OFF**.
3. Remove 15 Amp fuse from control panel.
4. **Utility voltage is present at generator control panel.** Remove the fuses from the transfer switch to disconnect power before servicing the control panel.
5. Disconnect negative battery cable from negative battery terminal, indicated by **NEGATIVE, NEG, or (-)**.

**NOTICE:** Only existing wire harness holes should be used to route the infohub harness to the generator controller. Except for the antenna cable hole, it is not necessary to drill other access holes.

## Drill Hole for Antenna Cable

1. Refer to **Suggested infohub™ Installation Locations** at the end of these instructions to determine the mounting location for the cellular unit.
2. Using a 3/8 inch bit, drill a hole into the enclosure near the intended location of the cellular unit so that the antenna cable will reach the unit (Figure 1). The hole should be placed near the roof but not so close as to cause interference when the roof is fully opened.



3. After drilling the hole, remove any burrs and metal shavings from the enclosure to prevent rusting.
4. Apply a small amount of rust inhibitor to the inside and outside of the hole edges and allow to dry.

## Mount Antenna to Roof

1. Locate the supplied rubber grommet in the kit.
  2. Carefully cut one side to the center of the rubber grommet. *Do not* cut in half.
  3. When the rust inhibitor is dry on the antenna cable hole, slip the rubber grommet over the antenna cable, feed the antenna wire through the hole, and fit the grommet into the hole.
- 4A. Mount the magnetic antenna on the generator roof.
- 4B. For units with plastic or aluminum roofs, use the supplied washer and adhesive tape
- Find a suitable location on the roof. This location should be near the antenna cable hole.
  - Remove the red adhesive protection film from the washer and press firmly to the roof.
  - Place magnetic antenna on to washer.

- On the outside of the enclosure, loop and secure the antenna cable with a wire tie (Figure 2) to help prevent water from entering the unit.

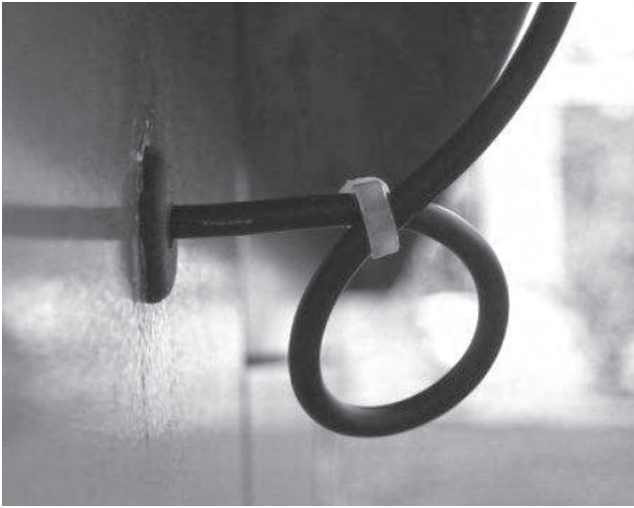


Figure 2

- Route the antenna cable toward the intended mounting location of the cellular unit.

### Disconnect Generator Wire Harness

Verify power is disconnected to the unit before proceeding.

- Remove the screws and the control box front to access the control panel. The generator will have either of two panels (Figure 3A or 3B).

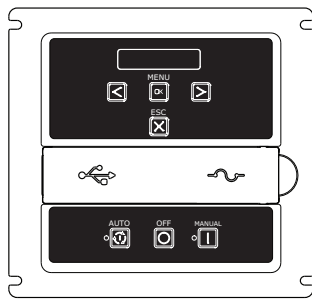


Figure 3A

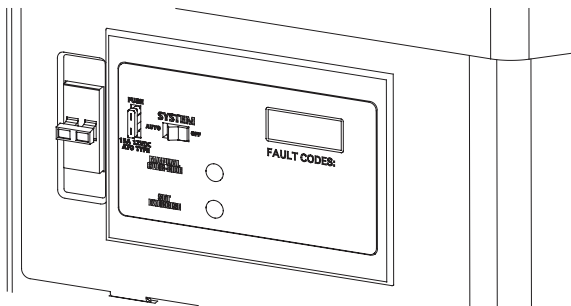


Figure 3B

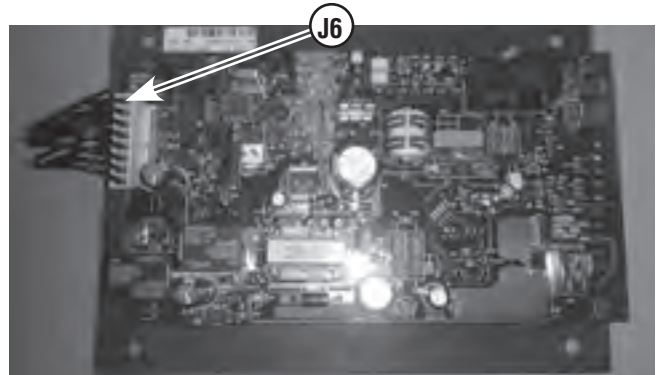


Figure 4A

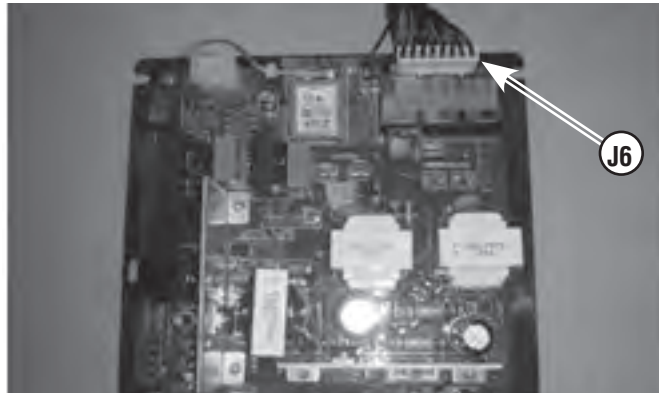


Figure 4B

- Remove the screws to access the control board on the back of the panel. The generator will have either of two control boards (Figure 4A or 4B).
- Disconnect the generator wire harness (8-wire connector) from the control board connector J6.

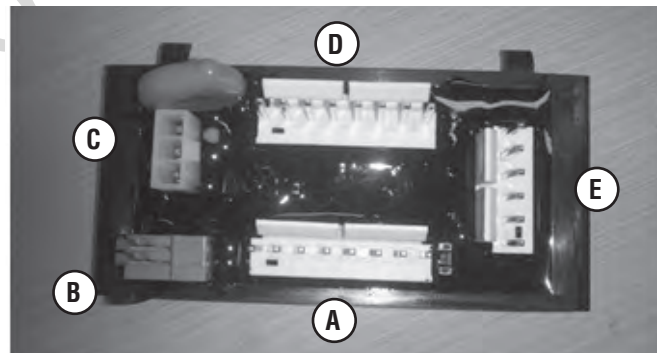


Figure 5

### Identify Interface Board Connections

Locate the supplied interface board in the kit. Before proceeding, review and understand the interface board connector assignments below (Figure 5).

- A - Generator harness connector from control board*
- B - Fault relay wire connector*
- C - 240V splitter harness connector*
- D - Pass-through harness connector*
- E - Cellular unit harness connector*

## Install Relay Wire

1. Locate the supplied relay wire in the kit. Determine the length of wire needed and cut two pieces. Strip the four ends prior to installation.
2. Insert one end of each wire into the N.O. and COM terminals at the 10-pin connector plug or terminal block. Insert the other end of each wire into the interface board by pressing the tabs on the relay connector (B, Figure 5). Polarity does not matter.

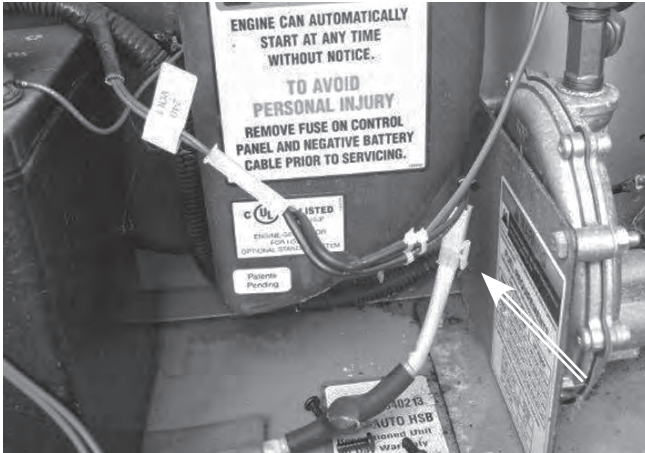


Figure 6

## Install 240V Splitter Harness (Air Cooled Units)

1. Locate the supplied 240V splitter harness in the kit.
2. Plug the 240V splitter harness into the battery warmer connector (arrow, Figure 6).
3. Route the other end of the harness to the interface board and connect it to the 240V splitter harness connector (C, Figure 5).

## Install 240V Splitter Harness (Liquid Cooled Units)

1. Locate the supplied 240V splitter harness and the supplied liquid-cooled adapter harness in the kit.
2. Connect the 240V splitter harness to the adapter harness.
3. At the fuse block inside the generator, connect each of the adapter harness wires to the spade terminals under each fuse (arrow, Figure 7).

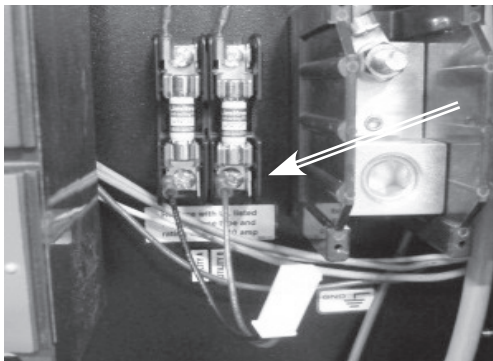


Figure 7

4. Route the other end of the harness to the interface board and connect it to the 240V splitter harness connector (C, Figure 5).

## Install Pass-Through Harness

1. Locate the supplied pass-through harness in the kit.
2. Connect the pass-through harness to the control panel, then route it to the interface board and connect it to the pass-through harness connector (D, Figure 5).

## Install Cellular Unit Harness

1. Locate the supplied cellular unit harness in the kit.
2. Connect the cellular unit harness to the cellular unit, then route it to the interface board and connect it to the cellular unit harness connector (E, Figure 5).

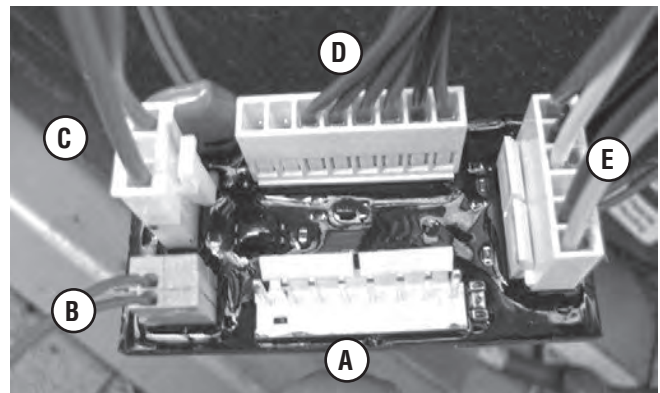


Figure 8

## Verify the Installation

1. Compare your connections with **Figure 8** to confirm proper installation of the harnesses.

*A - Generator harness connector from control board*  
*B - Fault relay wire connector*  
*C - 240V splitter harness connector*  
*D - Pass-through harness connector*  
*E - Cellular unit harness connector*

2. Ensure all of these connectors are securely in place.
3. Route the generator wire harness on the control board to the interface board and connect it to the generator harness connector (A, Figure 5).

## Mount Interface Board

Clean the mounting surface for the interface board with an alcohol wipe or other cleaning solution. Peel the covering from the adhesive strip on the back of the board, then firmly press the board in place. See pages 9 and 10 for recommended location.

## Mount Cellular Unit

Clean the mounting surface for the cellular unit with an alcohol wipe or other cleaning solution. Peel the covering from the adhesive strip on the back of the unit, then firmly press the unit in place. Connect the antenna cable at this time. See pages 9 and 10 for recommended location.

## Close Generator and Install Fuses

1. Use the supplied wire ties to organize the harness wires and to secure excess wire lengths.
2. Reinstall the control panel and secure with screws.
3. Reinstall the control box front and secure with screws.
4. Connect negative battery cable to negative battery terminal, indicated by NEGATIVE, NEG, or (-).
5. Reinstall the fuses into the transfer switch.
6. Reinstall the 15 Amp fuse in control panel.
7. Set generator circuit breaker to **ON**.
8. Set generator system switch to **AUTO**.

## Registration and Activation

Access to the InfoHub user portal requires purchase of a subscription. You must register and activate the InfoHub system online at [www.infohubsp.com](http://www.infohubsp.com). User guides and instructional videos are available at this site.

You will be required to read and comply with the InfoHub Subscription Service Agreement prior to activation of the monthly subscription, and the Terms of Use and Privacy Policy prior to accessing the InfoHub portal. Visit [www.briggsinfohub.com](http://www.briggsinfohub.com) to preview those policies.

For registration and activation support, call the InfoHub support team at 1-833-463-6482.

Prior to installation, record the module ESN and P/N in the spaces below. This information is required to correctly assign the module to the equipment in the user portal.

### InfoHub

ESN:	
P/N:	

### Equipment

Brand:	
Equipment Type:	
Model Number:	
Serial Number	

## Minimum System Requirements - User Portal

Supported Browsers and Versions
<ul style="list-style-type: none"><li>• Chrome - Version 59.0+</li><li>• Firefox - Version 54.0+</li><li>• Safari - Version 10.0+</li><li>• IE - Version 11.0+</li><li>• Edge - Version 15.0+</li></ul>
Minimum Display Resolution
<ul style="list-style-type: none"><li>• 1280 x 720</li></ul>
Computer Requirements
<ul style="list-style-type: none"><li>• Intel® Core™ i3 or equivalent</li><li>• 4GB of RAM</li><li>• Internet access</li></ul>
Special Settings
<ul style="list-style-type: none"><li>• Pop-ups are required for reporting.</li><li>• URL used for iFrame tool must support iFrames.</li></ul>

## InfoHub LEDS

Status LED lights (C, Figure 9) on the side of the InfoHub module can provide valuable information about the operation of the device.



Figure 9

Should you need technical assistance, you may need to provide the LED status information to customer support (1-833-463-6482).

Under standard configurations, GPS and Communications LED lights are enabled using the chart below.

LED Condition	Green (GPS)	Orange (Communication)
OFF*	GPS OFF	Modem OFF
Slow Blink (1x Per Second)	Cannot acquire GPS signal.	Cannot acquire communication signal.
Fast Blink (4x Per Second)	Attempting to acquire GPS signal.	Attempting to acquire communication signal.
3 Blinks + 1 Pause	Not Applicable.	Registered, but no inbound acknowledgment.
Solid	GPS Acquired.	Communication acquired.

\* Under normal operating conditions, if both GPS & Communications LEDs are OFF, power to the device has been lost. The devices are configurable. The modem functionality and LED status lights can be disabled. In the event the LEDs are not present when the device is connected to your battery, please reference [www.infohubsp.com](http://www.infohubsp.com) or contact technical support to verify configuration.

## Global Position System (GPS) Capabilities

The InfoHub system contains Global Position System (GPS) capabilities. The GPS technology provides geo-location capabilities which can be used to identify the specific location of a person and/or the equipment. The GPS technology also enables geo-fencing capabilities which enable triggering responses when the equipment enters or leaves a particular area and can be used to identify a person's location relative to predetermined boundaries. Certain federal and state laws, rules and regulations may require you to notify employees, or other persons who you permit to operate or use your equipment, that the equipment contains the InfoHub system, and that the InfoHub system collects information about their physical location and/or the physical location of the equipment.

## FCC User Information

THIS EQUIPMENT HAS BEEN TESTED AND FOUND TO COMPLY WITH THE LIMITS FOR A CLASS B DIGITAL DEVICE, PURSUANT TO PART 15 OF THE FCC RULES.

THESE LIMITS ARE DESIGNED TO PROVIDE REASONABLE PROTECTION AGAINST HARMFUL INTERFERENCE IN A RESIDENTIAL INSTALLATION. THIS EQUIPMENT GENERATES, USES AND CAN RADIATE RADIO FREQUENCY ENERGY, AND IF NOT INSTALLED AND USED IN ACCORDANCE WITH THE INSTRUCTIONS, MAY CAUSE HARMFUL INTERFERENCE TO RADIO COMMUNICATIONS. HOWEVER, THERE IS NO GUARANTEE THAT INTERFERENCE WILL NOT OCCUR IN A PARTICULAR INSTALLATION. IF THIS EQUIPMENT DOES CAUSE HARMFUL INTERFERENCE TO RADIO OR TELEVISION RECEPTION, WHICH CAN BE DETERMINED BY TURNING THE EQUIPMENT OFF AND ON, THE USER IS ENCOURAGED TO TRY TO CORRECT THE INTERFERENCE BY ONE OR MORE OF THE FOLLOWING MEASURES:

- REORIENT OR RELOCATE THE RECEIVING ANTENNA.
- INCREASE THE SEPARATION BETWEEN THE EQUIPMENT AND RECEIVER.
- CONNECT THE EQUIPMENT INTO AN OUTLET ON A CIRCUIT DIFFERENT FROM THAT TO WHICH THE RECEIVER IS CONNECTED.
- CONSULT THE DEALER OR AN EXPERIENCED RADIO/TV TECHNICIAN FOR HELP.

## IC User Information

THIS DEVICE COMPLIES WITH INDUSTRY CANADA'S LICENCE-EXEMPT RSSS. OPERATION IS SUBJECT TO THE FOLLOWING TWO CONDITIONS:

- THIS DEVICE MAY NOT CAUSE INTERFERENCE; AND
- THIS DEVICE MUST ACCEPT ANY INTERFERENCE, INCLUDING INTERFERENCE THAT MAY CAUSE UNDESIRE OPERATION OF THE DEVICE.



# Suggested infohub™ Installation Locations

Suggested installation locations for each type of standby generator are shown on the following pages.

Use the illustrations as a guide when mounting the interface board (E) and cellular unit (G). In some instances, the interface board needs to be mounted in the area behind the control panel to enable wires to reach. This will be noted in such instances.

The following illustrations are representative. Your model of generator may differ.

**For models equipped with this control panel:**

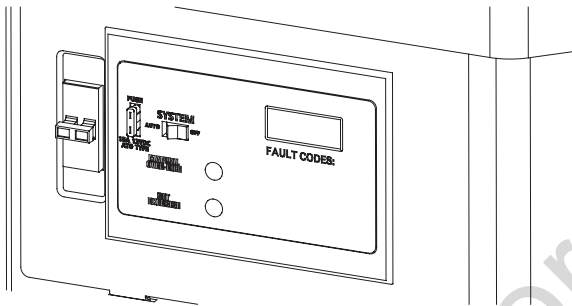


Figure 10

## Air-Cooled Horizontal Standby Generators

Mount (E) behind control panel to allow wires to reach.

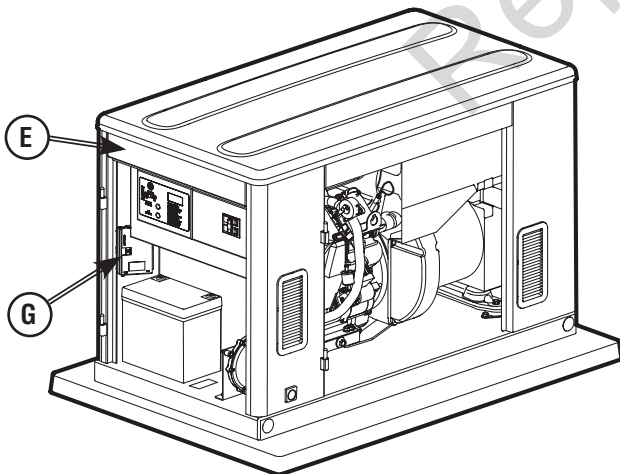


Figure 11

## Air-Cooled Vertical Standby Generators

Mount (E) behind control panel to allow wires to reach.

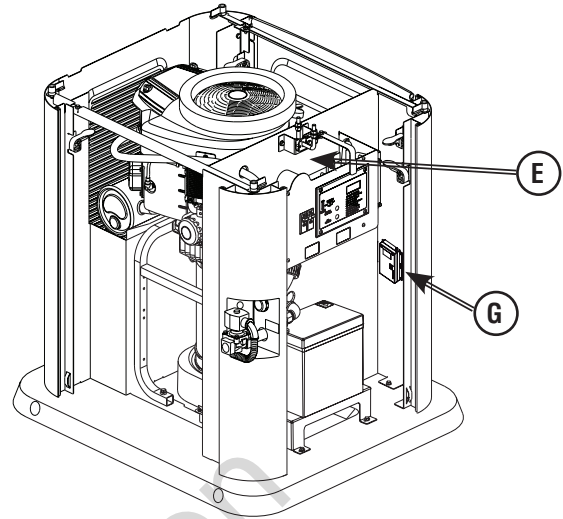


Figure 12

## Air-Cooled Vertical Standby Generators

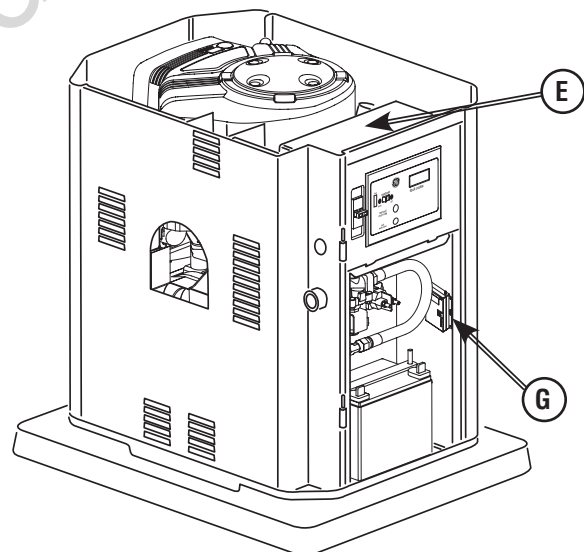


Figure 13

**\* For liquid cooled horizontal standby generators refer to figure 17 on page 10**

**For models equipped with this control panel:**

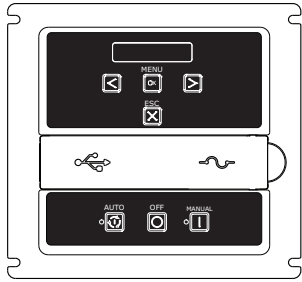


Figure 14

**Air-Cooled Vertical Standby Generators**

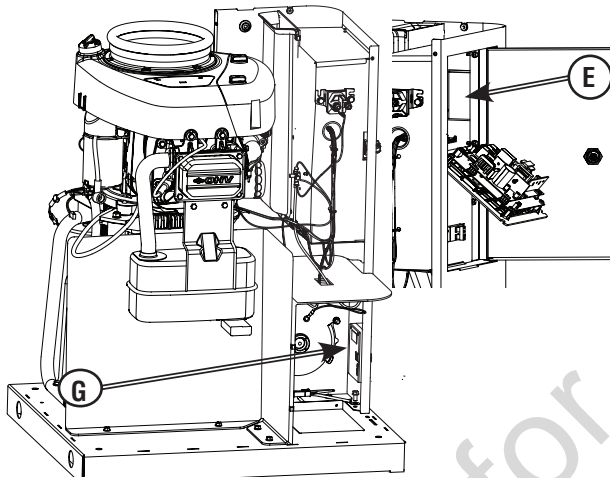


Figure 15

**Air-Cooled Horizontal Standby Generators**

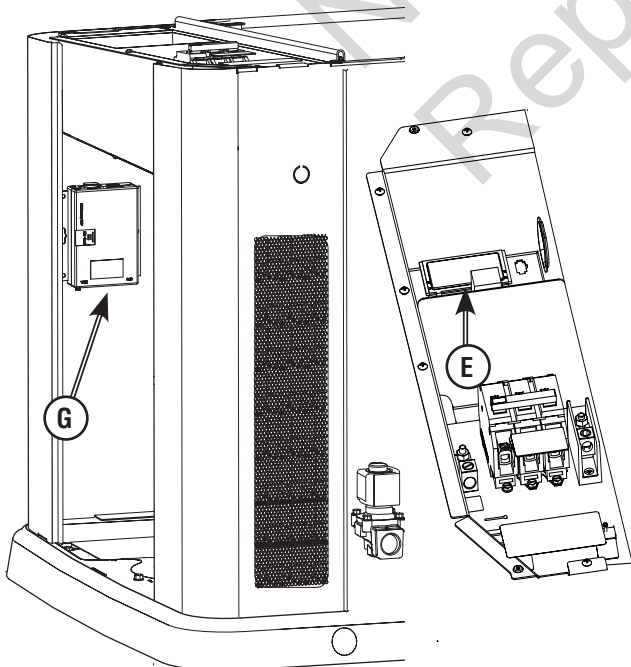


Figure 16

**Liquid-Cooled Horizontal Standby Generators**

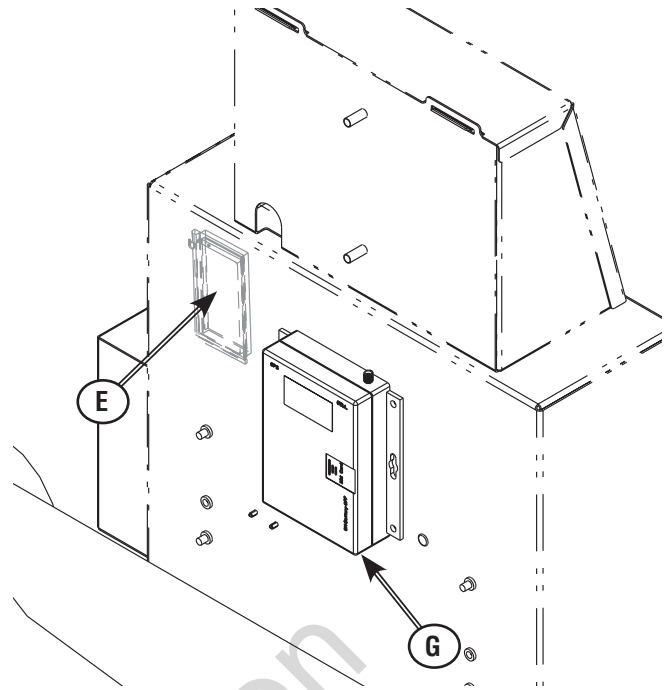


Figure 17

**Liquid-Cooled Horizontal Standby Generators**

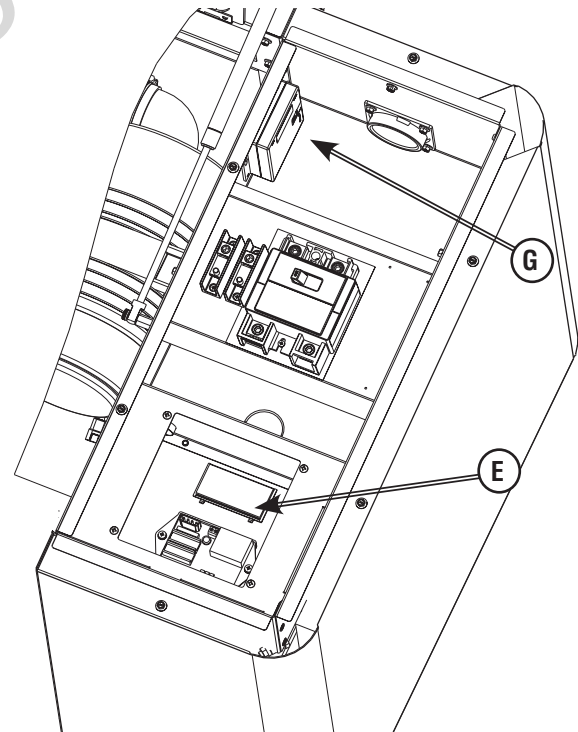
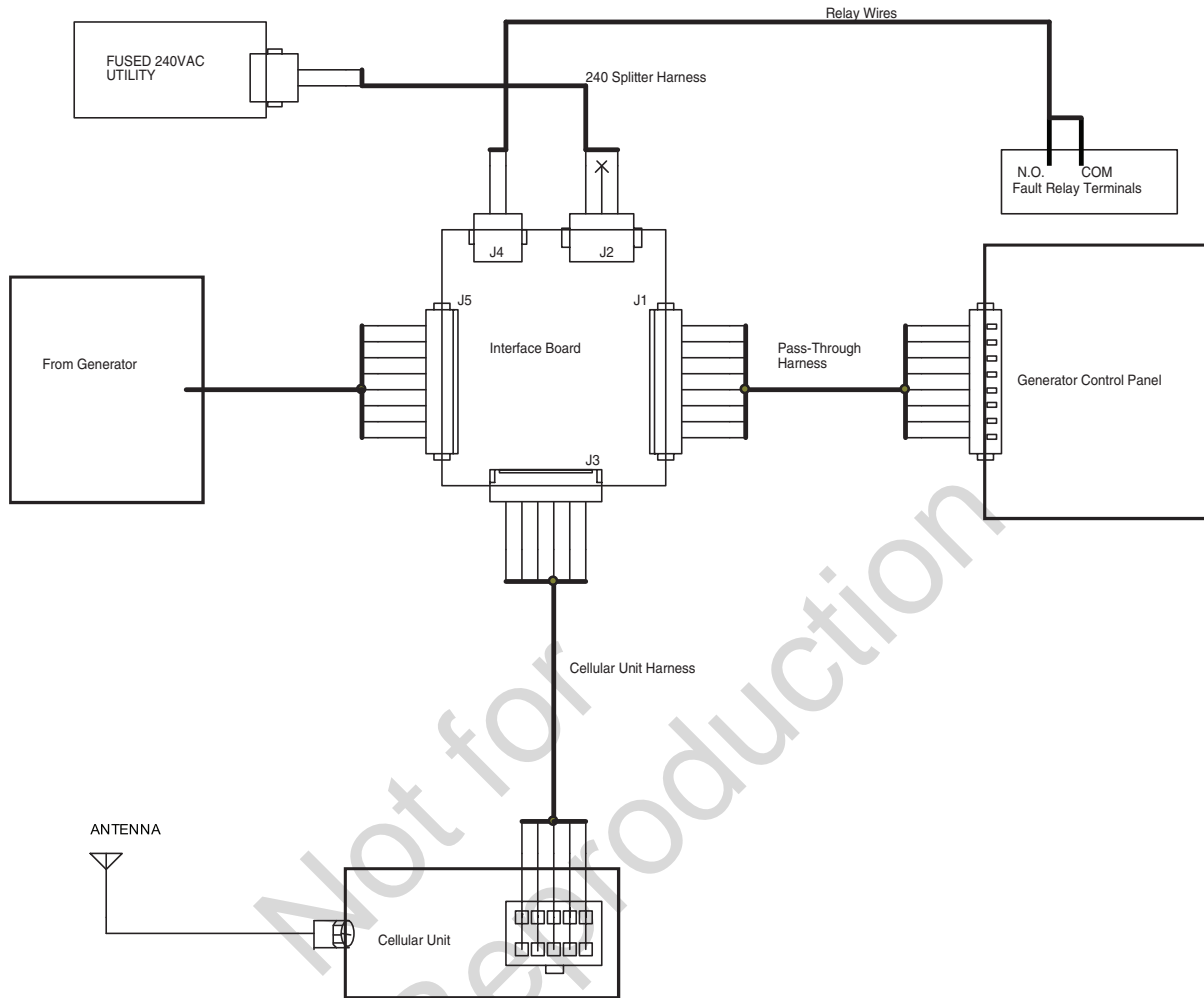


Figure 18

# System Diagram



## BRIGGS & STRATTON PRODUCTS WARRANTY POLICY

### LIMITED WARRANTY

Briggs & Stratton warrants that, during the warranty period specified below, it will repair or replace, free of charge, any part that is defective in material or workmanship or both. Transportation charges on product submitted for repair or replacement under this warranty must be borne by purchaser. This warranty is effective for and is subject to the time periods and conditions stated below. For warranty service, find the nearest Authorized Service Dealer in our dealer locator map at

BRIGGSandSTRATTON.COM . The purchaser must contact the Authorized Service Dealer, and then make the product available to the Authorized Service Dealer for inspection and testing.

**There are no other express warranties or implied warranties, including those of merchantability, fitness for a particular purpose, or that use of the product will be available uninterrupted, timely, secure or error free. The warranty is limited to the warranty period listed below, or to the extent permitted by law. Liability for incidental or consequential damages are excluded to the extent exclusion is permitted by law.** Some states or countries do not allow limitations on how long an implied warranty lasts, and some states or countries do not allow the exclusion or limitation of incidental or consequential damages, so the above limitation and exclusion may not apply to you. This warranty gives you specific legal rights and you may also have other rights which vary from state to state or country to country.\*\*

### WARRANTY PERIOD

Item	Consumer Use	Commercial Use
Accessory/Attachment	12 months	12 months

\*\* In Australia - Our goods come with guarantees that cannot be excluded under the Australian Consumer Law. You are entitled to a replacement or refund for a major failure and for compensation for any other reasonably foreseeable loss or damage. You are also entitled to have the goods repaired or replaced if the goods fail to be of acceptable quality and the failure does not amount to a major failure. For warranty service, find the nearest Authorized Service Dealer in our dealer locator map at BRIGGSandSTRATTON.COM, or by calling 1300 274 447, or by emailing or writing to salesenquires@briggsandstratton.com.au, Briggs & Stratton Australia Pty Ltd, 1 Moorebank Avenue, NSW, Australia, 2170.

The warranty period begins on the date of purchase by the first retail or commercial consumer. "Consumer use" means personal residential household use by a retail consumer "Commercial use" means all other uses, including use for commercial, income producing or rental purposes. Once a product has experienced commercial use, it shall thereafter be considered as a commercial use product for purposes of this warranty.

To ensure prompt and complete warranty coverage, register your product at the website shown above or at [www.onlineproductregistration.com](http://www.onlineproductregistration.com), or mail the completed registration card (if provided.)

Save your proof of purchase receipt. If you do not provide proof of the initial purchase date at the time warranty service is requested, the manufacturing date of the product will be used to determine the warranty period. Product registration is not required to obtain warranty service on Briggs & Stratton products.

### ABOUT YOUR WARRANTY

Warranty service is available only through Briggs & Stratton Authorized Service Dealers. Most warranty repairs are handled routinely, but sometimes requests for warranty service may not be appropriate. This warranty covers only defects in materials or workmanship. It does not cover damage caused by improper use or abuse, improper maintenance or repair, or normal wear and tear.

**Improper Use and Abuse** - The proper, intended use of this product is described in the Operator's Manual. Using the product in a way not described in the Operator's Manual or using the product after it has been damaged will not be covered under this warranty. Warranty coverage will also not be provided if the serial number on the product has been removed or the product has been altered or modified in any way, or if the product has evidence of abuse such as impact damage or water/chemical corrosion damage.

**Improper Maintenance or Repair** - This product must be installed and maintained according to the procedures and schedules provided in the Installation Manual and the Operator's Manual, and serviced or repaired using genuine Briggs & Stratton parts or equivalent. Damage caused by improper installation, lack of maintenance or use of non-original parts is not covered by this warranty.

**Normal Wear and Tear** - Like most mechanical devices, your unit is subject to wear even when properly maintained. This warranty does not cover repairs when normal use has exhausted the life of a part or the equipment. Maintenance and wear items such as filters, belts, cutting blades, and brake pads (except engine brake pads) are not covered by warranty due to wear characteristics alone, unless the cause is due to defects in material or workmanship.

**Operating Conditions** - Use of the Internet connected product may be inhibited by inability to obtain and maintain a network connection, send or receive GPS, satellite or wireless connections, electromagnetic interference, environmental or atmospheric conditions, cyber security attacks, or other conditions beyond our control. Respectively we make no warranty concerning coverage or distance or conditions beyond our control of which inhibits usable signals transmitted and received by our product.

**Other Exclusions** - This warranty excludes damage due to accident, abuse, modifications, alterations, improper servicing, freezing or chemical deterioration. Attachments or accessories that were not originally packaged with the product are also excluded. This warranty does not include used, reconditioned, second-hand, or demonstration equipment or engines. This warranty also excludes failures due to acts of God and other force majeure events beyond the manufacturer's control.



## Instrucciones de instalación



Monitoreo inalámbrico para Generadores de Energía de Emergencia

Modelo 6517-00

¿Preguntas?

¡La ayuda está muy cerca!

Llame al Departamento de Servicios Técnicos al **1-833-463-6482**

De lunes a viernes de 8:00 a 17:00, horario central

# Contenido del kit de monitoreo avanzado

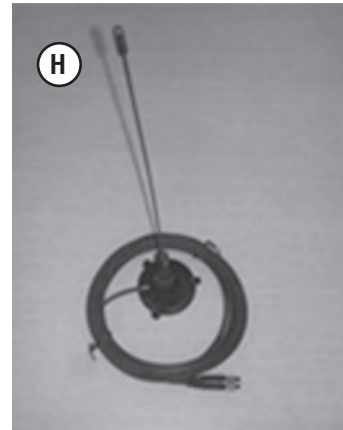
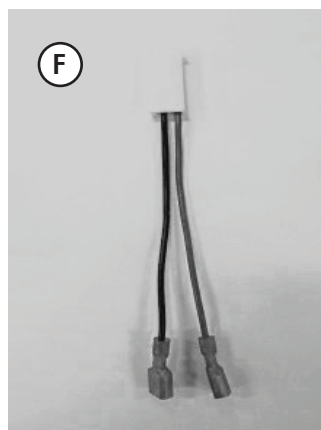
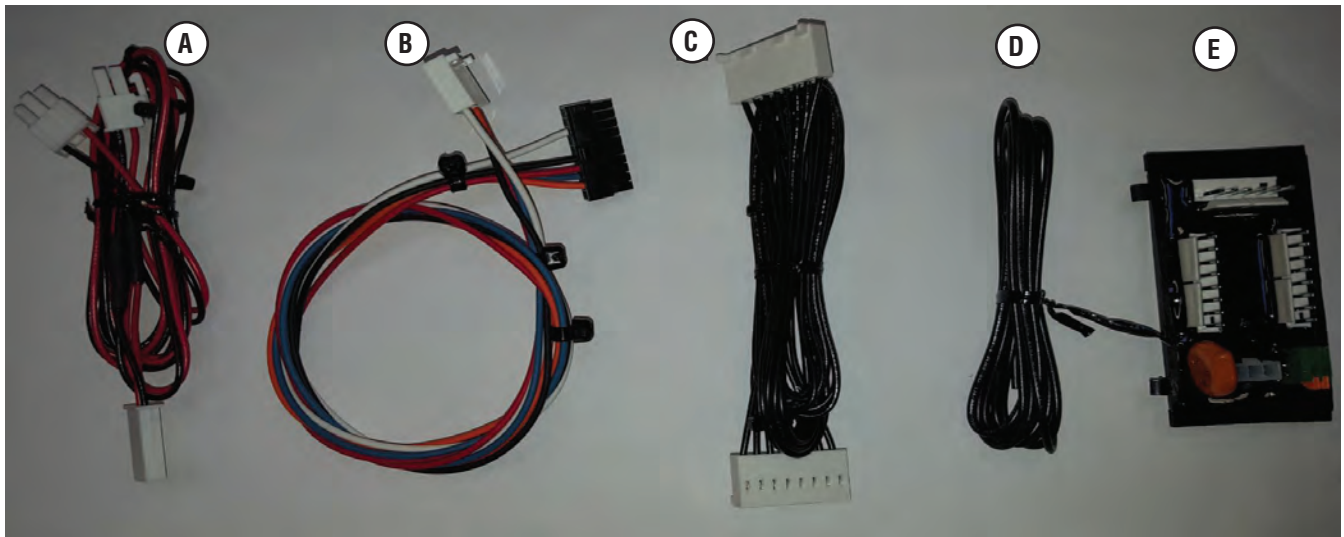
Guarde este documento junto con el manual para el operador del generador una vez finalizada la instalación.

## Contenido del kit de infohub™

- Cables del divisor de 240 V (A)
- Cables de la unidad celular (B)
- Cable pasador (C)
- Cable del relé (D)
- Panel de interfaz (E)
- Adaptador para unidad enfriada por líquido (F)
- Unidad de celular (G)
- Antena (H)
- Fijaciones para cable
- Arandela de goma


## Elementos necesarios para la instalación del kit:


- Perforadora con broca de 3/8 pulgada
- Paños empapados en alcohol u otra solución de limpieza
- Destornilladores estándares y phillips
- Voltímetro o multímetro
- Cortador de cables/Pelacables
- Herramienta para quitar rebabas
- Producto inhibidor de óxido





**CONSERVE ESTAS INSTRUCCIONES:** esta hoja contiene instrucciones importantes de seguridad que se deben seguir durante la instalación del equipo.

## Símbolo de alerta de seguridad y palabras de señalización

El símbolo de alerta de seguridad  se usa para identificar información de seguridad sobre riesgos que pueden provocar lesiones personales. Se utiliza una palabra de señalización (PELIGRO, ADVERTENCIA o PRECAUCIÓN) junto con el símbolo de alerta para indicar la probabilidad de una lesión y su potencial gravedad. Además, se puede usar un símbolo de peligro para representar el tipo de riesgo.

 **PELIGRO** indica un peligro que, si no se evita, ocasionará la muerte o lesiones graves.

 **ADVERTENCIA** indica un riesgo que, si no se evita, podría ocasionar la muerte o lesiones graves.

 **PRECAUCIÓN** indica un peligro que, si no se evita, podría ocasionar lesiones menores o moderadas.

**AVISO** indica una acción que podría provocar daños al producto.

## Símbolos de peligro y sus significados



Descarga eléctrica





Piezas giratorias




Arranque automático

La instalación de este equipo debe cumplir estrictamente con la totalidad de los códigos, los estándares y las normativas vigentes, por lo que solo debe ser llevada a cabo por un electricista con licencia.

 **ADVERTENCIA** “Este producto puede exponerlo a sustancias químicas, entre las que se incluyen emisiones de escape de motor de gasolina, reconocidas por el Estado de California como causantes de cáncer, y monóxido de carbono, reconocido por el Estado de California como causante de defectos de nacimiento u otros problemas reproductivos. Para obtener más información, visite [www.P65Warnings.ca.gov](http://www.P65Warnings.ca.gov).”

 **PRECAUCIÓN** La instalación del fusible de 15 A puede hacer que el motor arranque en cualquier momento sin advertencia, lo que podría ocasionar lesiones menores o moderadas.

- Asegúrese de que el fusible de 15 A se haya retirado del panel de control antes de realizarle mantenimiento a la unidad.
- NO instale este fusible antes de que se haya realizado todo el cableado y se lo haya inspeccionado.

 **ADVERTENCIA** Los generadores producen una tensión peligrosa.



Una conexión a tierra defectuosa del generador puede provocar electrocución. No aislar el generador de la energía eléctrica de la red pública podría provocar la muerte o lesiones graves a los trabajadores de la red pública eléctrica, debido a la alimentación inversa de la energía.

- NO toque cables ni receptáculos sin aislamiento.
- NO use el generador con cables eléctricos que estén desgastados, raídos, sin aislamiento o dañados de cualquier otro modo.
- NO manipule el generador ni los cables eléctricos si está en contacto con agua, descalzo o si sus manos o pies están mojados.
- Si debe trabajar cerca de una unidad mientras está funcionando, párese en una superficie seca y aislada para reducir el peligro de descarga.
- NO permita que personas no calificadas o niños operen o realicen mantenimiento al generador.
- En caso de un accidente por descarga eléctrica, corte inmediatamente la fuente de energía eléctrica y comuníquese con las autoridades locales. Evite el contacto directo con la víctima.
- A pesar del diseño seguro del generador, si lo opera de manera imprudente, no realiza el mantenimiento o si es descuidado, se pueden producir lesiones o la muerte.
- Permanezca alerta en todo momento mientras trabaja en el equipo. Nunca trabaje en los equipos cuando esté mental o físicamente fatigado.
- Antes de realizar cualquier tipo de mantenimiento en el generador, primero desconecte el cable de la batería que tiene la indicación NEGATIVO, NEG o (-). Cuando termine, vuelva a conectar este cable al final.
- Después de instalar el sistema, el generador puede arrancar sin advertencia cada vez que se produzca un corte de energía. ANTES de trabajar en el equipo y para evitar posibles lesiones, deje el interruptor del sistema del generador siempre en posición de apagado APAGADO, quite el fusible de desconexión del servicio de la caja de desconexión y quite el fusible de 15 A.

# Instalación

**Gracias** por adquirir este generador de reserva doméstico. Si realiza la instalación según estas instrucciones, el dispositivo de control le proporcionará años de servicio confiable. Conserve el recibo de compra con esta hoja de instrucciones y guárdelos junto con los otros manuales del generador una vez realizada la instalación.

**IMPORTANTE:** Las ilustraciones incluidas en este documento son únicamente de referencia y es posible que no sean representativas de la unidad real a la que se realiza mantenimiento. La instalación de su unidad será similar.

Antes de comenzar la instalación, consulte las **Ubicaciones sugeridas de instalación de infohub™** en la parte final de estas instrucciones para identificar su tipo particular de generador. Las ubicaciones de ensamblado preferidas para el panel de interfaz (E) y la unidad celular (G) se mostrarán en estas ilustraciones.

## Desconecte la energía eléctrica

Antes de realizar cualquier labor de instalación o mantenimiento en el generador, siga SIEMPRE los pasos

**⚠ ADVERTENCIA** Peligro de descarga eléctrica. La tensión proveniente del servicio de energía eléctrica de la red pública o del generador es peligrosa y podría provocar la muerte o lesiones graves. Desconecte y retire todas las fuentes de tensión de alimentación y siga todas las instrucciones para la desconexión de la energía eléctrica antes de realizar cualquier tipo de trabajo de mantenimiento. Verifique con un dispositivo de medición que se haya desconectado la energía eléctrica de la red pública.

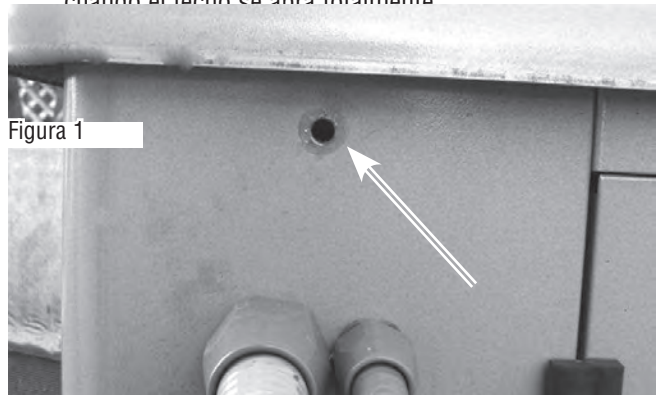
siguientes:

1. Coloque el interruptor del sistema del generador en la posición **APAGADO**.
2. Coloque el disyuntor del generador en la posición **APAGADO**.
3. Retire el fusible de 15 A del panel de control.
4. **El panel de control del generador recibe tensión del suministro eléctrico de la red pública.** Desconecte la energía eléctrica antes de realizar mantenimiento en el panel de control; para esto, retire los fusibles del interruptor de transferencia.
5. Desconecte el cable negativo de la batería del terminal negativo de la batería (con la indicación NEGATIVO, NEG o [-]).

**AVISO:** Solamente se deben usar los orificios para cables existentes a fin de llevar los cables de infohub al controlador del generador. Excepto por el orificio del cable de la antena, no es necesario perforar otros orificios de acceso.

## Perforar el orificio para el cable de la antena

1. Consulte las **Ubicaciones sugeridas de instalación de infohub™** en el final de estas instrucciones para determinar la ubicación de ensamblado para la unidad celular.
2. Con una broca de 3/8 pulgadas, perfora un orificio en la caja cerca de la ubicación deseada para la unidad celular, de manera que el cable de la antena alcance la unidad (Figura 1). El orificio debe estar cerca del techo pero no demasiado, a fin de que no cause interferencia cuando el techo se abra totalmente.



3. Después de perforar el orificio, quite las rebabas y restos de metal de la caja para evitar oxidaciones.
4. Aplique una cantidad pequeña de inhibidor de óxido en el interior y el exterior de los bordes del orificio, y deje secar.

## Coloque la antena en el techo

1. Busque la arandela de goma que se proporciona con el kit.
2. Con cuidado, corte un lado hacia el centro de la arandela de goma. *No* la corte por la mitad.
3. Cuando el inhibidor de óxido esté seco en el orificio del cable de la antena, deslice la arandela sobre dicho cable, pase el cable de la antena por el orificio y calce la arandela en el orificio.
- 4A. Coloque la antena magnética en el techo del generador.
- 4B. En el caso de las unidades con techos de plástico o aluminio, use la arandela que se proporciona y la cinta adhesiva.
  - Busque una ubicación apropiada en el techo. Esta ubicación debe estar cerca del orificio del cable de la antena.
  - Quite la película protectora adhesiva roja de la arandela y presione firmemente en el techo.
  - Coloque la antena magnética en la arandela.



5. En el exterior de la caja, haga un bucle con el cable de la antena y fíjelo con precinto (Figura 2) para evitar que ingrese agua a la unidad.

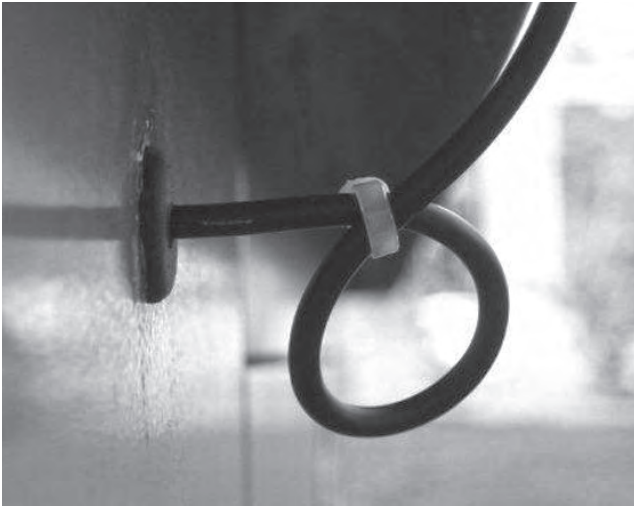


Figura 2

6. Enrute el cable de la antena hacia la ubicación de montaje deseada de la unidad celular.

### Desconectar los cables del generador

Verifique que la alimentación eléctrica está desconectada de la unidad antes de comenzar a trabajar.

1. Quite los tornillos y el frente de la caja de control para acceder el panel de control. El generador tendrá uno de dos tipos de paneles (Figura 3A o 3B).

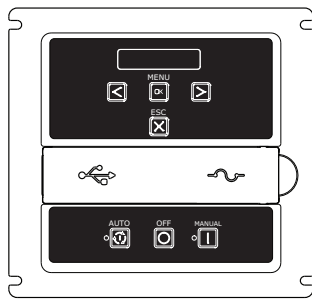


Figura 3A

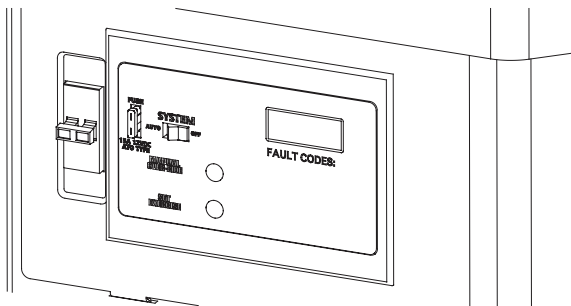


Figura 3B

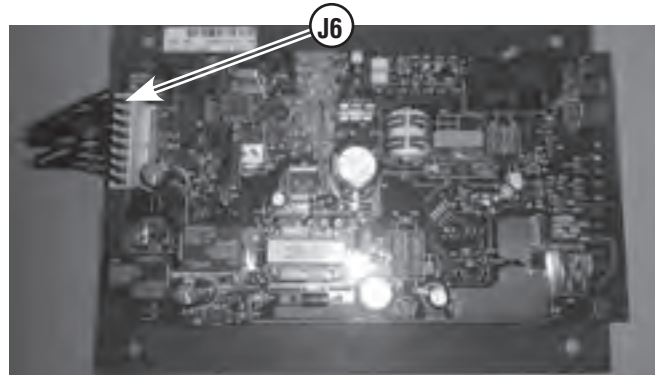


Figura 4A Quitar los tornillos para acceder a la placa del panel de

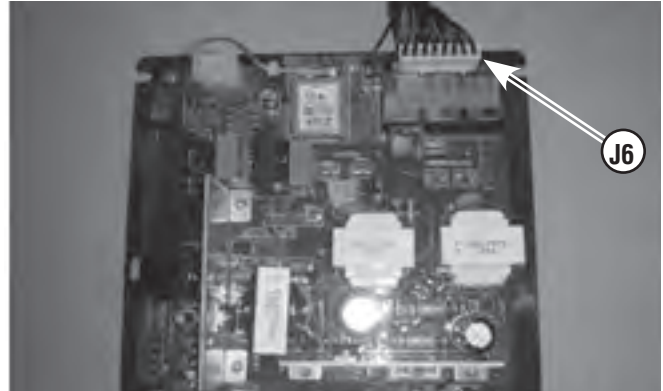


Figura 4B

control en la parte de atrás del panel. El generador tendrá uno de dos tipos de paneles (Figura 4A o 4B).

3. Desconecte los cables del generador (conector de 8 cables) del conector J6 de la placa de control.

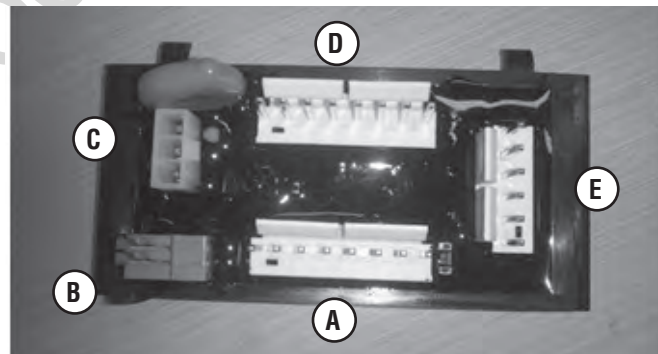


Figura 5

### Realizar las conexiones del panel interfaz

Ubique el panel interfaz suministrado con el kit. Antes de continuar, revise y comprenda la designación de conectores del panel interfaz (Figura 5).

- A** - Conector del cable del generador del panel de control
- B** - Conector del cable del relé de fallos
- C** - Conector del cable del divisor de 240 V
- D** - Conector del cable pasador
- E** - Conector de los cables de la unidad celular

## Instalar cable del relé

1. Ubique el cable del relé que se suministra con el kit. Determine la longitud del cable necesario y corte dos piezas. Pele los cuatro extremos antes de la instalación.
2. Inserte un extremo de cada cable en los terminales N.O. y COM en el enchufe de conector de 10 pines o el bloque de terminales. Inserte el otro extremo de cada uno de los cables en el panel interfaz presionando las lengüetas en el conector del relé (B, Figura 5). La polaridad no tiene importancia.

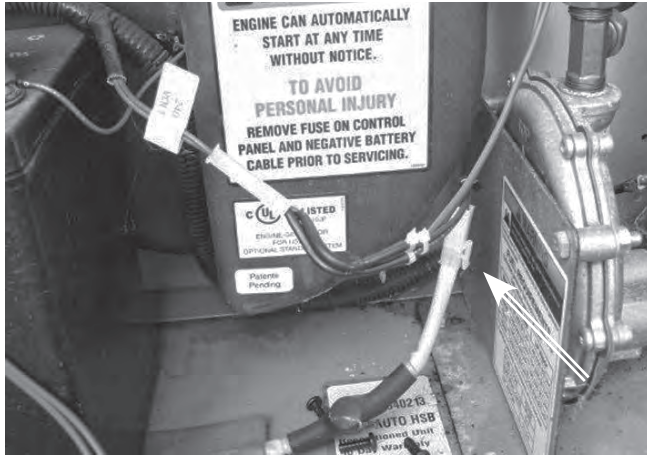


Figura 6

## Instale los cables del divisor de 240 V (unidades enfriadas por aire)

1. Ubique los cables del divisor de 240 V que se suministra con el kit.
2. Conecte el cable del divisor de 240 V en el conector del calentador de la batería (flecha, Figura 6).
3. Lleve el otro extremo del cable hasta el panel interfaz y conéctelo al conector del cable del divisor de 240 V (C, Figura 5).

## Instale los cables del divisor de 240 V (unidades enfriadas por líquido)

1. Ubique el cable del divisor de 240V y el cable del adaptador enfriado por líquido que se suministran con el kit.
2. Conecte el cable del divisor de 240 V al cable del adaptador.
3. En el bloque de fusibles dentro del generador, conecte cada cable del adaptador en los terminales espada debajo de cada fusible (flecha, Figura 7).

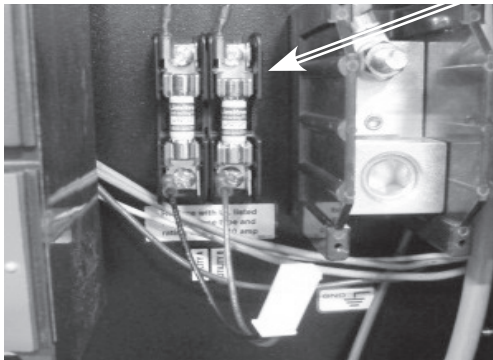


Figura 7

4. Lleve el otro extremo del cable hasta el panel interfaz y conéctelo al conector del cable del divisor de 240 V (C, Figura 5).

## Instalar el cable pasador

1. Ubique el cable pasador que se suministra con el kit.
2. Conecte el cable pasador en el panel de control, luego llévalo al panel interfaz y conéctelo en el conector del cable pasador (D, Figura 5).

## Instalar el cable de la unidad celular

1. Ubique el cable de la unidad celular que se suministra con el kit.
2. Conecte el cable de la unidad celular en la unidad celular, luego llévalo hasta el panel interfaz y conéctelo al conector del cable de la unidad celular (E, Figura 5).

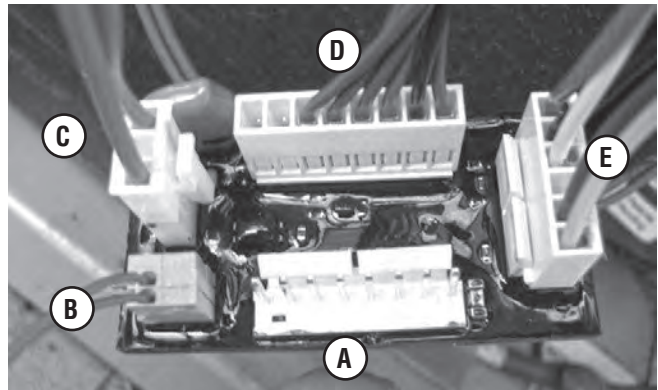


Figura 8

## Verificar la instalación

1. Compare sus conexiones con la **Figura 8** para confirmar la instalación adecuada de los cables.

*A - Conector del cable del generador del panel de control*

*B - Conector del cable del relé de fallos*

*C - Conector del cable del divisor de 240 V*

*D - Conector del cable pasador*

*E - Conector de los cables de la unidad celular*

2. Asegúrese de que todos estos conectores están fijados en su lugar.
3. Enrute el cable del generador en el panel de control hacia el panel interfaz y conéctelo al conector del cable del generador (A, Figura 5).

## Panel de interfaz de montaje

Limpie la superficie de montaje para el panel interfaz con un paño embebido en alcohol u otra solución de limpieza. Retire la cubierta de la tira adhesiva que se encuentra en la parte posterior del panel, luego presiónelo con firmeza en su lugar. Consulte las páginas 9 y 10 para ver la ubicación recomendada.

## Montar la unidad celular

Limpie la superficie de montaje para la unidad celular con un paño embebido en alcohol u otra solución de limpieza. Retire la cubierta de la tira adhesiva que se encuentra en la parte posterior de la unidad, luego presiónela con firmeza en su lugar. Conecte el cable de la antena en este momento. Consulte las páginas 9 y 10 para ver la ubicación recomendada.

## Cerrar el generador e instalar los fusibles

1. Use los fijadores de cable que se suministran para organizar los cables y fijar el exceso de cable.
2. Vuelva a instalar el panel de control con los tornillos.
3. Vuelva a instalar el frente de la caja de control con los tornillos.
4. Conecte el cable de batería negro al terminal negativo de la batería (indicado como NEGATIVO, NEG, o [-]).
5. Vuelva a instalar los fusibles en la llave de transferencia.
6. Vuelva a instalar el fusible de 15 A en el panel de control.
7. Coloque el disyuntor del generador en la posición **ENCENDIDO**.
8. Ponga el interruptor del sistema generador en **AUTOMÁTICO**.

## Registro y activación

El acceso al portal de usuario de InfoHub requiere adquisición de una suscripción. Debe registrarse y activar el sistema de InfoHub en línea en [www.infohubsp.com](http://www.infohubsp.com). Las guías de usuario y los videos instructivos están disponibles en este sitio.

Deberá leer y cumplir con el Contrato de servicio de suscripción de InfoHub antes de activar la suscripción mensual y los Términos de uso y la Política de privacidad antes del acceder al portal InfoHub. Visite [www.briggsinfohub.com](http://www.briggsinfohub.com) para obtener una vista previa de estas políticas.

Para obtener soporte para el registro y la activación, llame al equipo de soporte de InfoHub al 1-833-463-6482.

Antes de la instalación, grabe el módulo ESN y P/N en los espacios a continuación. Esta información es necesaria para asignar correctamente el módulo al equipo del portal del usuario.

### InfoHub

ESN:	
P/N:	

### Equipo

Marca:	
Tipo de equipo:	
Número de modelo:	
Número de serie	

## Requerimientos mínimos del sistema - Portal de usuario

<b>Navegadores que soporta y versiones</b>
<ul style="list-style-type: none"><li>• Chrome - Versión 59.0+</li><li>• Firefox - Versión 54.0+</li><li>• Safari - Versión 10.0+</li><li>• IE - Versión 11.0+</li><li>• Edge - Versión 15.0+</li></ul>
<b>Resolución de pantalla mínima</b>
<ul style="list-style-type: none"><li>• 1280 x 720</li></ul>
<b>Requerimientos de computación</b>
<ul style="list-style-type: none"><li>• Intel® Core™ i3 o equivalente</li><li>• 4GB de RAM</li><li>• Acceso a Internet</li></ul>
<b>Ajustes especiales</b>
<ul style="list-style-type: none"><li>• Las ventanas emergentes son necesarias para los informes.</li><li>• La URL utilizada para la herramienta iFrame debe soportar iFrames.</li></ul>

## Luces LED de InfoHub

Las Luces LED de estado (C, Figura 9) que figuran al costado del módulo de InfoHub pueden brindar información sobre la operación del dispositivo.



Figura 9

En caso de necesitar asistencia técnica, tendrá que proporcionar información de la LED de estado a soporte al cliente (1-833-463-6482).

Bajo configuración estándar, el GPS y las luces LED de comunicaciones están activadas utilizando el cuadro a continuación.

Condición LED	Verde (GPS)	Naranja (Comunicación)
APAGADO*	GPS APAGADO	Módem APAGADO
Parpadeo lento (1 vez por segundo)	No puede adquirir señal de GPS.	No puede adquirir señal de comunicación.
Parpadeo rápido (4 veces por segundo)	Intentando adquirir señal de GPS.	Intentando adquirir señal de comunicación.
3 parpadeos + 1 pausa	No aplicable.	Registrado, pero sin reconocimiento de entrada.
Sólido	GPS adquirido.	Comunicación adquirida.

\* Bajo condiciones operativas normales, si las luces LED de GPS y comunicaciones están APAGADAS, se perdió la electricidad del dispositivo. Los dispositivos son configurables. La funcionalidad del módem y las luces LED de estado se pueden desactivar. En caso de que las LED no estén presentes cuando el dispositivo se conecta a la batería, consulte en [www.infohubsp.com](http://www.infohubsp.com) o comuníquese con soporte técnico para verificar la configuración.

## Capacidades de sistema de posición global (GPS)

El sistema InfoHub contiene capacidades de sistema de posición global (GPS). La tecnología de GPS brinda capacidades de geoubicación que pueden usarse para identificar la ubicación específica de una persona y/o del equipo. La tecnología de GPS también activa capacidades de geovalla que permiten el desencadenamiento de respuestas cuando el equipo ingresa o sale de un área en particular y pueden usarse para identificar la ubicación de una persona relacionada con límites predeterminados. Algunas leyes, normas y reglamentaciones federales y estatales pueden requerirle que notifique a los empleados o a otras personas a las que le permita operar o usar su equipo que el equipo contiene el sistema InfoHub, y que este sistema recopila información sobre su ubicación física y/o la ubicación física del equipo.

## Información de usuario FCC

ESTE EQUIPO FUE PROBADO Y SE CONFIRMÓ QUE CUMPLE CON LOS LÍMITES PARA UN DISPOSITIVO DIGITAL DE CLASE B, EN CUMPLIMIENTO CON LA PARTE 15 DE LAS NORMAS FCC.

ESTOS LÍMITES ESTÁN DISEÑADOS PARA BRINDAR PROTECCIÓN RAZONABLE CONTRA INTERFERENCIAS DAÑINAS EN UNA INSTALACIÓN RESIDENCIAL. ESTE EQUIPO GENERA, USA Y PUEDE IRRADIAR ENERGÍA DE RADIOFRECUENCIA Y, SI NO SE INSTALA Y USA CONFORME A LAS INSTRUCCIONES, PUEDE CAUSAR INTERFERENCIA DAÑINA A LAS COMUNICACIONES DE RADIO. SIN EMBARGO, NO HAY GARANTÍA DE QUE NO HABRÁ INTERFERENCIAS EN UNA INSTALACIÓN EN PARTICULAR. SI ESTE EQUIPO CAUSA INTERFERENCIA DAÑINA A RECEPCIONES DE RADIO O TELEVISIÓN, QUE PUEDE DETERMINARSE ENCENDIENDO Y APAGANDO EL EQUIPO, ALENTAMOS AL USUARIO A INTENTAR CORREGIR LA INTERFERENCIA SIGUIENDO UNA O MÁS DE LAS SIGUIENTES MEDIDAS:

- VUELVA A ORIENTAR O UBICAR LA ANTENA DE RECEPCIÓN.
- AUMENTE LA SEPARACIÓN ENTRE EL EQUIPO Y EL RECEPTOR.
- CONECTE EL EQUIPO EN UN TOMACORRIENTE DE UN CIRCUITO DISTINTO AL QUE SE ENCUENTRA CONECTADO EL RECEPTOR.
- CONSULTE CON EL VENDEDOR O CON UN TÉCNICO DE RADIO/TV CON EXPERIENCIA PARA OBTENER AYUDA.

## Información de usuario de IC

ESTE DISPOSITIVO CUMPLE CON LAS RSS EXENTAS DE LICENCIA DE INDUSTRY CANADA. LA OPERACIÓN ESTÁ SUJETA A LAS SIGUIENTES DOS CONDICIONES:

- ESTE DISPOSITIVO NO PUEDE PROVOCAR INTERFERENCIA; Y
- ESTE DISPOSITIVO DEBE ACEPTAR CUALQUIER INTERFERENCIA, INCLUSIVE LA INTERFERENCIA QUE PUEDA CAUSAR UN FUNCIONAMIENTO NO DESEADO.

# Ubicaciones sugeridas de instalación de <sup>TM</sup>

Las ubicaciones de instalación sugeridas para cada tipo de generador standby se muestran en las siguientes páginas.

Use las ilustraciones como guía cuando monte el panel interfaz (E) y la unidad celular (G). En algunos casos, el panel interfaz debe montarse en la zona detrás del panel de control para permitir que los cables alcancen su punto de conexión. En esos casos, se indicará esta situación.

Las siguientes ilustraciones son representativas. Su modelo de generador puede ser diferente.

**Para modelos equipados con este panel de control:**

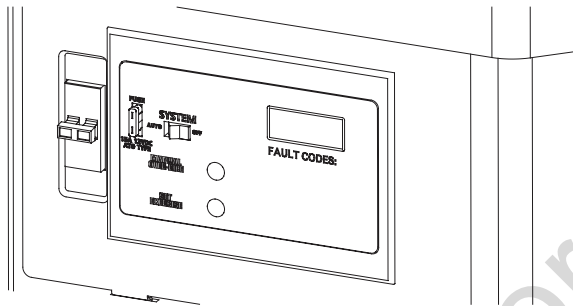


Figura 10

Generadores standby horizontales enfriados por aire

Debe montarlo (E) detrás del panel de control para permitir que los cables alcancen su punto de conexión.

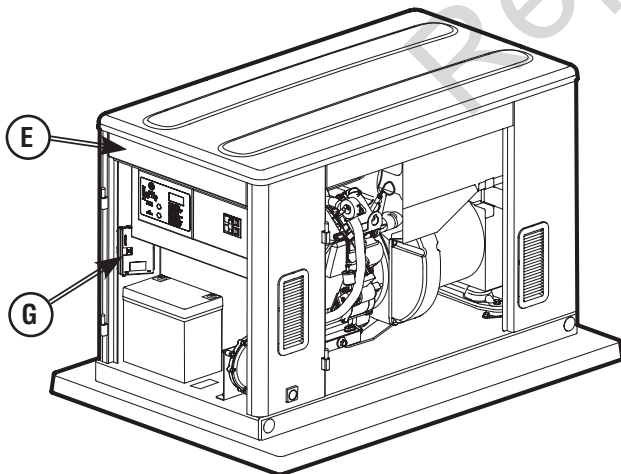


Figura 11

Generadores standby verticales enfriados por aire  
Debe montarlo (E) detrás del panel de control para permitir que los cables alcancen su punto de conexión.

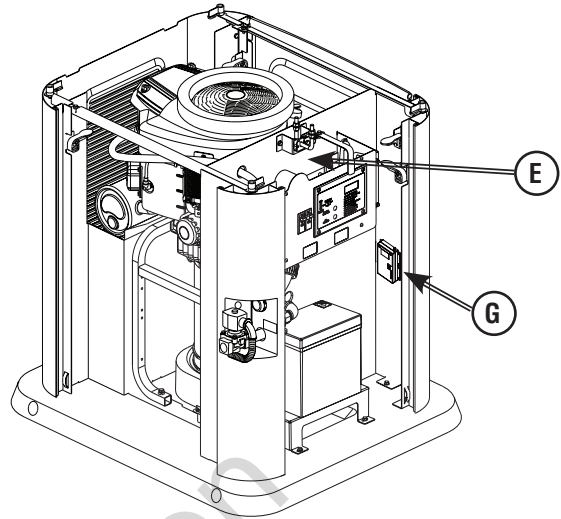


Figura 12

Generadores standby verticales enfriados por aire

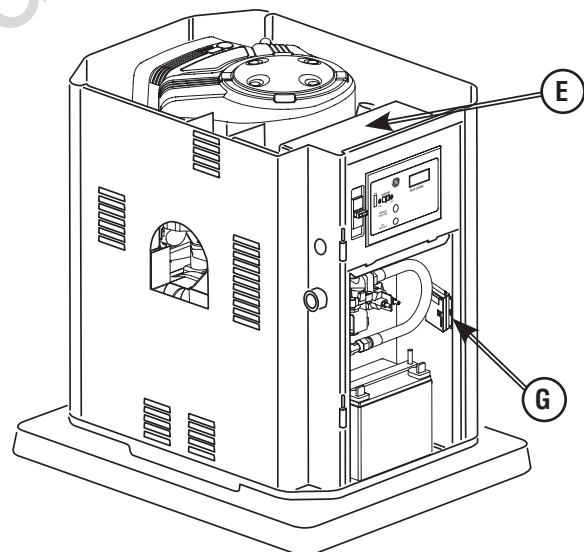


Figura 13

**\* Para los generadores standby horizontales enfriados por líquido consulte la figura 17 en la página 10**

**Para modelos equipados con este panel de control:**

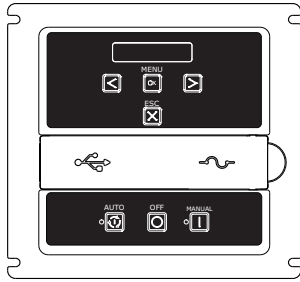


Figura 14

**Generadores standby verticales enfriados por aire**

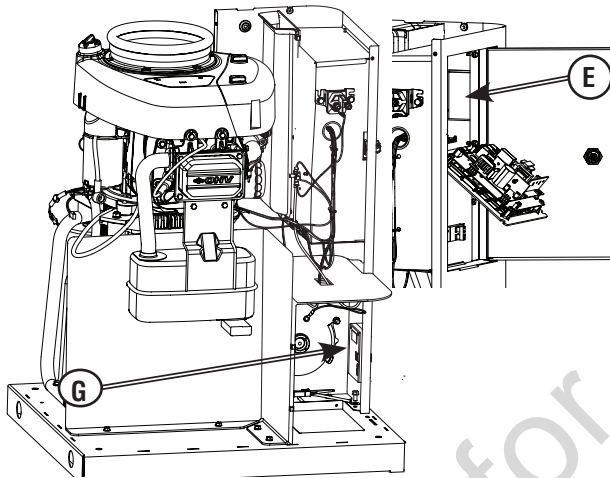


Figura 15

**Generadores standby horizontales enfriados por aire**

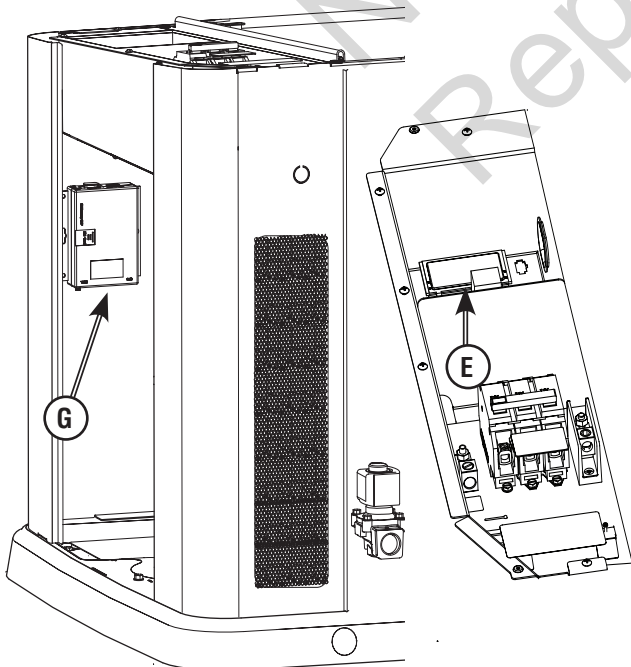


Figura 16

**Generadores standby horizontales enfriados por líquido**

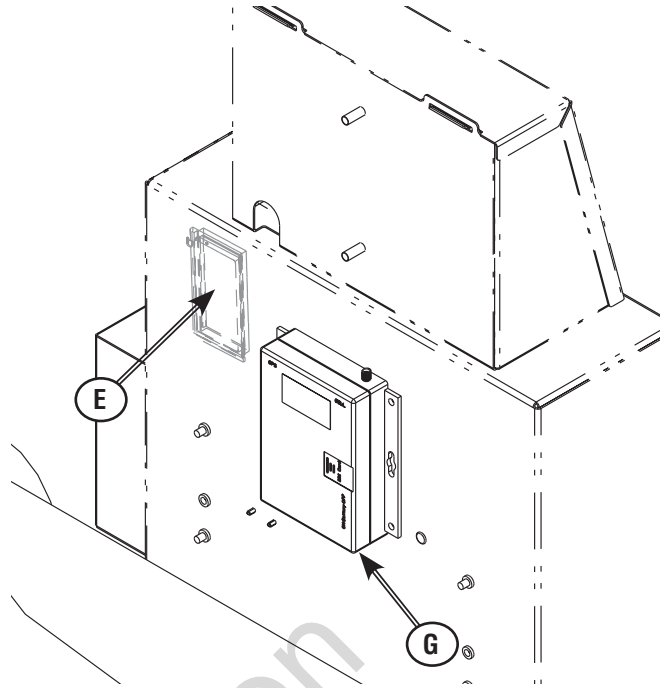


Figura 17

**Generadores standby horizontales enfriados por líquido**

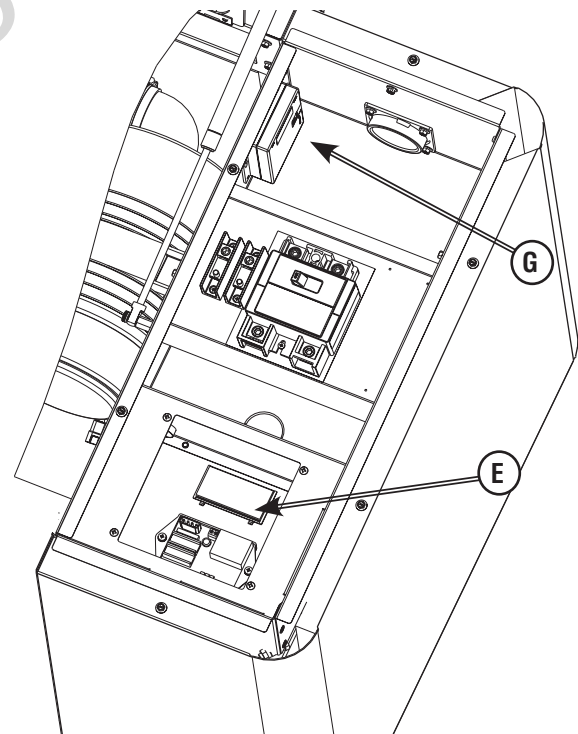
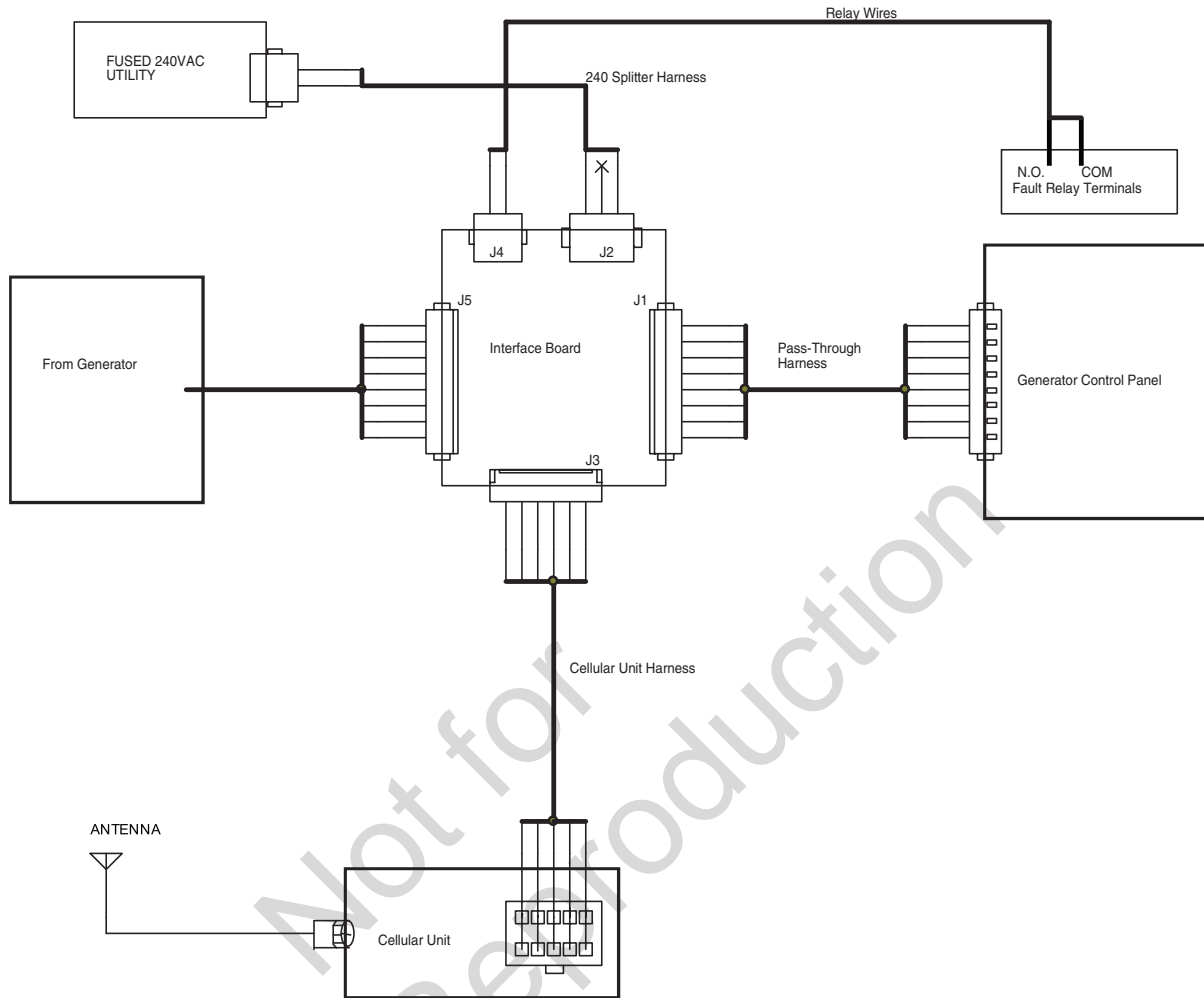


Figura 18

# System Diagram



## BRIGGS & STRATTON PRODUCTS WARRANTY POLICY

### LIMITED WARRANTY

Briggs & Stratton warrants that, during the warranty period specified below, it will repair or replace, free of charge, any part that is defective in material or workmanship or both. Transportation charges on product submitted for repair or replacement under this warranty must be borne by purchaser. This warranty is effective for and is subject to the time periods and conditions stated below. For warranty service, find the nearest Authorized Service Dealer in our dealer locator map at

BRIGGSandSTRATTON.COM . The purchaser must contact the Authorized Service Dealer, and then make the product available to the Authorized Service Dealer for inspection and testing.

**There are no other express warranties or implied warranties, including those of merchantability, fitness for a particular purpose, or that use of the product will be available uninterrupted, timely, secure or error free. The warranty is limited to the warranty period listed below, or to the extent permitted by law. Liability for incidental or consequential damages are excluded to the extent exclusion is permitted by law.** Some states or countries do not allow limitations on how long an implied warranty lasts, and some states or countries do not allow the exclusion or limitation of incidental or consequential damages, so the above limitation and exclusion may not apply to you. This warranty gives you specific legal rights and you may also have other rights which vary from state to state or country to country.\*\*

### WARRANTY PERIOD

Item	Consumer Use	Commercial Use
Accessory/Attachment	12 months	12 months

\*\* In Australia - Our goods come with guarantees that cannot be excluded under the Australian Consumer Law. You are entitled to a replacement or refund for a major failure and for compensation for any other reasonably foreseeable loss or damage. You are also entitled to have the goods repaired or replaced if the goods fail to be of acceptable quality and the failure does not amount to a major failure. For warranty service, find the nearest Authorized Service Dealer in our dealer locator map at BRIGGSandSTRATTON.COM, or by calling 1300 274 447, or by emailing or writing to salesenquires@briggsandstratton.com.au, Briggs & Stratton Australia Pty Ltd, 1 Moorebank Avenue, NSW, Australia, 2170.

The warranty period begins on the date of purchase by the first retail or commercial consumer. "Consumer use" means personal residential household use by a retail consumer "Commercial use" means all other uses, including use for commercial, income producing or rental purposes. Once a product has experienced commercial use, it shall thereafter be considered as a commercial use product for purposes of this warranty.

To ensure prompt and complete warranty coverage, register your product at the website shown above or at [www.onlineproductregistration.com](http://www.onlineproductregistration.com), or mail the completed registration card (if provided.)

Save your proof of purchase receipt. If you do not provide proof of the initial purchase date at the time warranty service is requested, the manufacturing date of the product will be used to determine the warranty period. Product registration is not required to obtain warranty service on Briggs & Stratton products.

### ABOUT YOUR WARRANTY

Warranty service is available only through Briggs & Stratton Authorized Service Dealers. Most warranty repairs are handled routinely, but sometimes requests for warranty service may not be appropriate. This warranty covers only defects in materials or workmanship. It does not cover damage caused by improper use or abuse, improper maintenance or repair, or normal wear and tear.

**Improper Use and Abuse** - The proper, intended use of this product is described in the Operator's Manual. Using the product in a way not described in the Operator's Manual or using the product after it has been damaged will not be covered under this warranty. Warranty coverage will also not be provided if the serial number on the product has been removed or the product has been altered or modified in any way, or if the product has evidence of abuse such as impact damage or water/chemical corrosion damage.

**Improper Maintenance or Repair** - This product must be installed and maintained according to the procedures and schedules provided in the Installation Manual and the Operator's Manual, and serviced or repaired using genuine Briggs & Stratton parts or equivalent. Damage caused by improper installation, lack of maintenance or use of non-original parts is not covered by this warranty.

**Normal Wear and Tear** - Like most mechanical devices, your unit is subject to wear even when properly maintained. This warranty does not cover repairs when normal use has exhausted the life of a part or the equipment. Maintenance and wear items such as filters, belts, cutting blades, and brake pads (except engine brake pads) are not covered by warranty due to wear characteristics alone, unless the cause is due to defects in material or workmanship.

**Operating Conditions** - Use of the Internet connected product may be inhibited by inability to obtain and maintain a network connection, send or receive GPS, satellite or wireless connections, electromagnetic interference, environmental or atmospheric conditions, cyber security attacks, or other conditions beyond our control. Respectively we make no warranty concerning coverage or distance or conditions beyond our control of which inhibits usable signals transmitted and received by our product.

**Other Exclusions** - This warranty excludes damage due to accident, abuse, modifications, alterations, improper servicing, freezing or chemical deterioration. Attachments or accessories that were not originally packaged with the product are also excluded. This warranty does not include used, reconditioned, second-hand, or demonstration equipment or engines. This warranty also excludes failures due to acts of God and other force majeure events beyond the manufacturer's control.





## Instructions d'installation



Moniteur de surveillance sans fil pour groupe électrogène fixe

Modèle 6517-00

Des questions?

De l'aide au bout des doigts!

Téléphonez au Service technique au **1-833-463-6482**  
du lundi au vendredi de 8 h à 17 h, heure normale du Centre

# Contenu de la trousse du dispositif avancé de surveillance

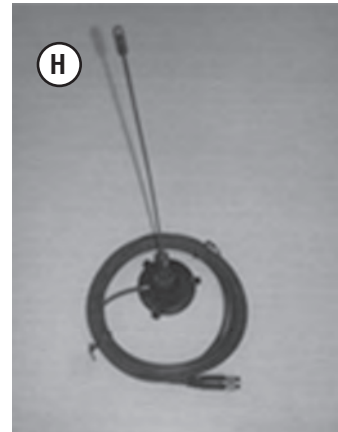
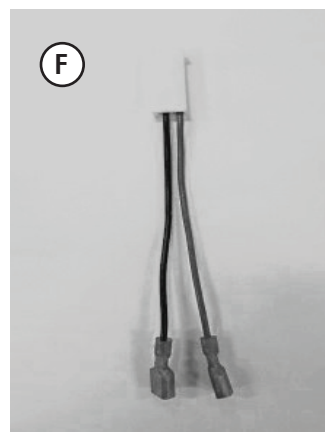
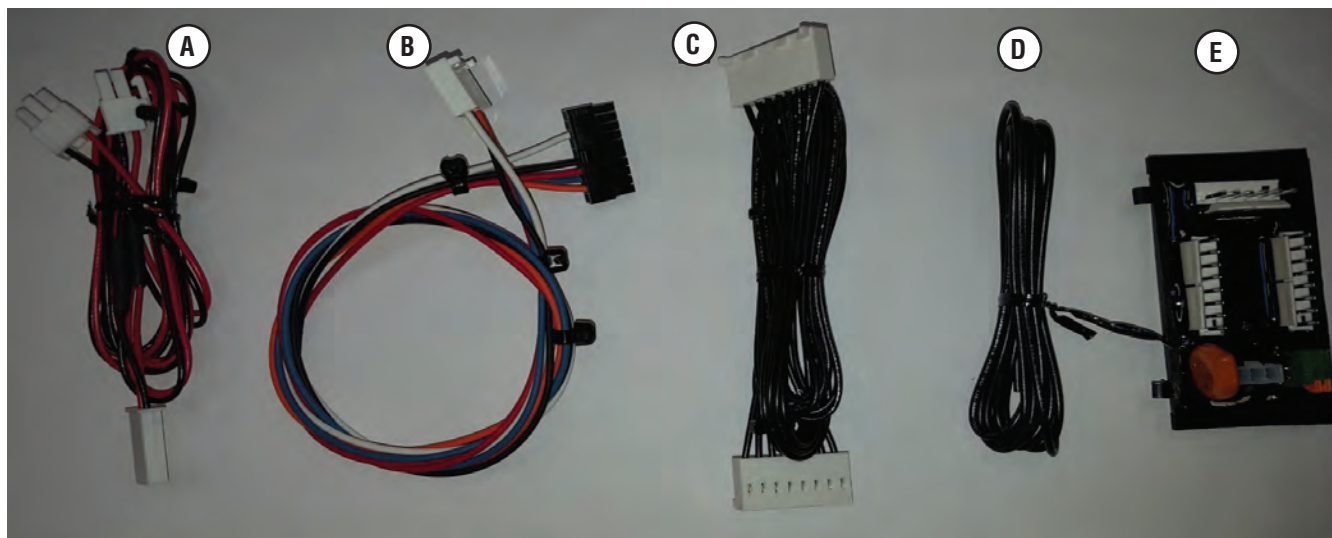
*Gardez ce document avec le manuel d'utilisation de la génératrice une fois l'installation terminée.*

## Contenu de la trousse infoHub™ :

- Faisceau de séparation de 240 V (A)
- Faisceau de câbles d'appareil cellulaire (B)
- Faisceau de câbles de passage (C)
- Câble de relais (D)
- Carte d'interface (E)
- Adaptateur pour appareil refroidi par liquide (F)
- Appareil cellulaire (G)
- Antenne (H)
- Attaches à fils
- Œillet en caoutchouc

## Articles nécessaires pour l'installation de la trousse :

- Perceuse avec une mèche de 3/8 po
- Tampon imbibé d'alcool ou autre solution de nettoyage
- Tournevis à pointes plate et cruciforme
- Voltmètre/multimètre
- Coupe-fils/dénudeur de fils
- Outil d'ébavurage
- Inhibiteur de rouille



**CONSERVEZ CES INSTRUCTIONS** – Cette feuille d'installation contient des instructions importantes qu'il faut suivre durant l'installation de l'équipement.

## Symbole d'alerte de sécurité et mots de signal

Le symbole d'alerte de sécurité ▲ est utilisé pour identifier l'information de sécurité à propos des dangers pouvant causer des blessures. Un mot-indicateur (DANGER, AVERTISSEMENT ou MISE EN GARDE) est utilisé avec le symbole d'alerte pour indiquer la probabilité et la gravité potentielle des blessures. En plus, un symbole de danger peut être utilisé pour représenter le type de danger.

▲ DANGER indique un danger qui, si non évité, provoquera la mort ou des blessures graves.

▲ AVERTISSEMENT indique un danger qui, si non évité, peut provoquer la mort ou des blessures graves.

▲ ATTENTION indique un danger qui, si non évité, peut causer une blessure mineure ou modérée.

AVIS indique une situation qui pourrait causer des dommages au produit.

## Renseignements et symboles de danger



Décharge électrique



Pièces rotatives



Démarrage automatique

Seuls des électriciens qualifiés et licenciés devraient tenter l'installation de cet équipement, qui doit être strictement conforme aux codes, normes et règlements applicables.

▲ **AVERTISSEMENT** « Ce produit peut vous exposer à des agents chimiques, y compris aux gaz d'échappements des moteurs à essence, connus dans l'État de la Californie pour causer le cancer, ainsi que le monoxyde de carbone, connu dans l'État de la Californie pour causer des malformations congénitales ou des dommages au système reproducteur. Pour obtenir de plus amples renseignements, visitez le [www.P65Warnings.ca.gov](http://www.P65Warnings.ca.gov). »

▲ **MISE EN GARDE** L'installation d'un fusible de 15 A peut provoquer un démarrage du moteur en tout temps, sans avertissement, et entraîner des blessures mineures à modérées.

- Prenez note que le fusible de 15 A a été retiré du tableau de commande préalablement à l'entretien.
- N'INSTALLEZ PAS ce fusible tant que le câblage n'a pas été dûment inspecté.

▲ **AVERTISSEMENT** La génératrice produit une tension dangereuse.



Si la génératrice n'est pas mise à la terre comme il se doit, il y a risque d'électrocution. Sans isolation, la génératrice de la source d'alimentation en électricité peut causer des blessures graves ou même le décès d'employés du service de distribution électrique, à la suite de la rétroaction de l'énergie électrique.

- NE PAS toucher aux fils ou à des prises dénudées.
- NE PAS utiliser la génératrice avec des rallonges électriques usées, effilochées, dénudées ou autrement endommagées.
- NE PAS manipuler la génératrice ou les cordons électriques les pieds dans l'eau ou les pieds nus ou lorsque les mains ou les pieds sont mouillés.
- Si vous devez travailler aux environs d'une unité alors qu'elle est en marche, placez-vous sur une surface sèche isolée afin de réduire les risques de décharge électrique.
- NE PAS laisser les personnes non qualifiées ou les enfants opérer ou entretenir la génératrice.
- En cas d'accident causé par une décharge électrique, procéder immédiatement à la mise hors tension de l'alimentation électrique et communiquer avec les autorités locales. Évitez tout contact direct avec la victime.
- En dépit de la conception sécuritaire de la génératrice, le fait d'opérer l'équipement de façon imprudente, de ne pas l'entretenir ou d'être négligent peut causer des blessures ou la mort.
- Demeurez alerte en tout temps lorsque vous travaillez sur cet équipement. Ne travaillez jamais sur l'équipement si vous êtes fatigué physiquement ou mentalement.
- Avant de procéder à tout entretien sur la génératrice, débranchez tout d'abord le câble de batterie identifié par NÉGATIF, NEG ou (-). Rebrancher le câble en tout dernier, après avoir terminé.
- Une fois que votre système est installé, la génératrice peut se lancer et démarrer sans avertissement lorsque survient une panne électrique. AVANT de travailler sur l'équipement, pour prévenir des blessures potentielles, réglez toujours l'interrupteur de système de la génératrice à la position ARRÊT, retirez le fusible de déconnexion de l'alimentation de service du boîtier de déconnexion ET enlevez le fusible de 15 A.

# Installation

**Merci** d'avoir acheté cet accessoire de secours pour la maison. Lorsque installé conformément aux directives qui suivent, vous pourrez compter sur ce dispositif de surveillance durant des années. Conservez votre preuve d'achat avec ce feuillet d'instructions et le manuel d'utilisation de votre génératrice après l'installation.

**IMPORTANT :** Les illustrations présentées dans ce document ne sont qu'à titre de référence et peuvent ne pas représenter l'appareil faisant l'objet de l'entretien. Votre installation sera toutefois semblable.

Avant de commencer l'installation, reportez-vous aux **emplacements d'installation suggérés pour le infohub™** à la fin de ces instructions afin d'identifier votre type de génératrice. Les emplacements de montage préférés pour la carte d'interface (E) et l'appareil cellulaire (G) seront indiqués sur les illustrations.

## Débranchement de l'alimentation

**⚠ AVERTISSEMENT** Risque de chocs électriques. Une tension dangereuse du service public ou d'une génératrice pourrait causer la mort ou des blessures graves. Retirez toutes les sources d'alimentation de tension et suivez toutes les instructions de débranchement électrique avant d'effectuer toute tâche d'entretien. Vérifiez à l'aide d'un appareil de mesure que l'alimentation a été débranchée.



Avant de procéder à l'entretien de la génératrice, suivez TOUJOURS les étapes suivantes :

1. Placez l'interrupteur de la génératrice en position **ARRÊT**.
2. Réglez le disjoncteur principal de la génératrice à la position **ARRÊT**.
3. Retirez le fusible de 15 A du tableau de commande.
4. **De la tension de service est présente au tableau de commande de la génératrice.** Retirez les fusibles du commutateur de transfert pour déconnecter l'alimentation avant d'effectuer l'entretien du tableau de commande.
5. Débranchez le câble négatif de la batterie de la borne négative de la batterie marquée NEGATIF, NEG ou (-).

**AVIS :** Seuls les trous de faisceaux en place doivent être utilisés pour acheminer le faisceau du infohub au contrôleur de génératrice. À l'exception du trou du câble de l'antenne, il n'est pas nécessaire de percer d'autres trous d'accès.

## Perçage de trou pour le câble de l'antenne

1. Reportez-vous aux **emplacements d'installation suggérés pour le infohub™** à la fin de ces instructions pour déterminer l'emplacement de montage de l'appareil cellulaire.
2. En utilisant une mèche de 3/8 po, percez un trou dans le boîtier près de l'emplacement prévu pour l'appareil cellulaire de sorte que le câble de l'antenne atteigne l'appareil (Figure 1). L'ouverture doit être placée près du toit, mais pas trop près en raison des interférences produites lorsque le toit est complètement ouvert.

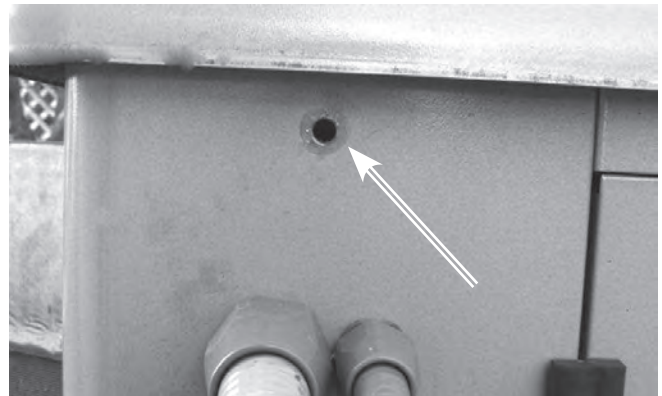


Figure 1

3. Après avoir percé le trou, retirez les ébarbures et les copeaux de métal du boîtier pour prévenir la formation de rouille.
4. Appliquez une petite quantité d'inhibiteur de rouille à l'intérieur et à l'extérieur des rebords des trous et laissez sécher.

## Montage de l'antenne au toit

1. Localisez l'œillet de caoutchouc fourni dans la trousse.
2. Coupez délicatement d'un côté vers le centre de l'œillet en caoutchouc. *Ne pas couper en deux.*
3. Lorsque l'inhibiteur de rouille est sec dans le trou du câble de l'antenne, glissez l'œillet en caoutchouc sur le câble de l'antenne, passez le câble de l'antenne par le trou et placez l'œillet en caoutchouc dans le trou.
- 4A. Installez l'antenne magnétique sur le toit de la génératrice.
- 4B. Pour les appareils avec toit en plastique ou en aluminium, utilisez la rondelle et l'adhésif fournis.
  - Trouvez l'emplacement approprié pour le toit. Cet emplacement doit être près de l'ouverture pour le câble de l'antenne.
  - Retirez la pellicule de protection adhésive rouge de la rondelle et appuyez fermement pour fixer le toit.
  - Placez l'antenne magnétique sur la rondelle.

- À l'extérieur du boîtier, faites une boucle et fixez le câble de l'antenne avec une attache (Figure 2) pour aider à empêcher l'eau de pénétrer dans l'unité.

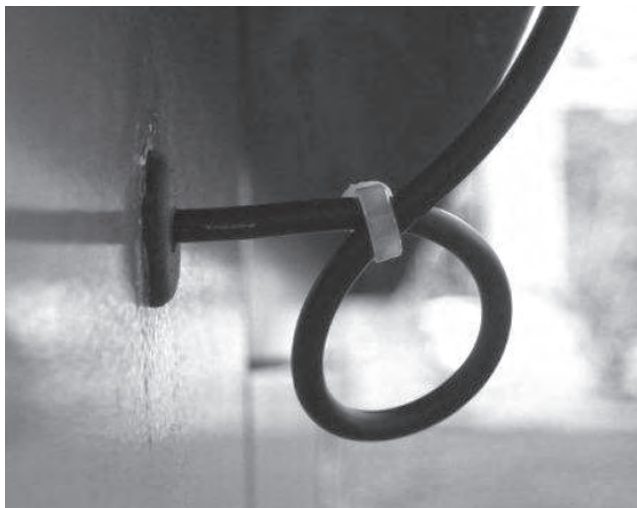


Figure 2

- Faites passer le câble de l'antenne vers l'emplacement de montage prévu de l'appareil cellulaire.

### Débranchez le faisceau de câbles de la génératrice

Vérifiez si l'alimentation est déconnectée de l'appareil avant de procéder.

- Retirez les vis et l'avant du boîtier de commande pour accéder au tableau de commande. La génératrice est

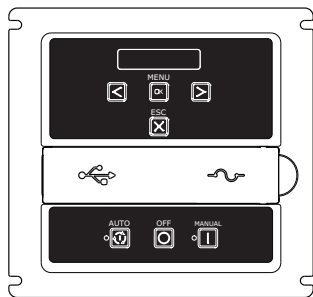


Figure 3A  
équipée d'un de deux tableaux (Figure 3A ou 3B).

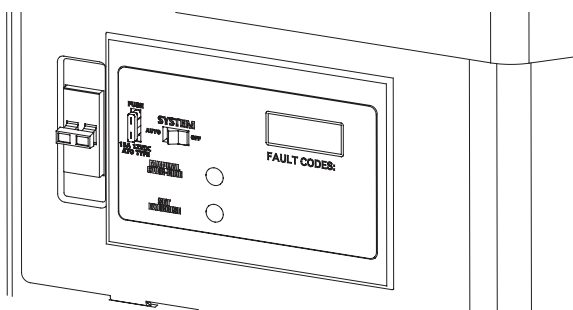


Figure 3B

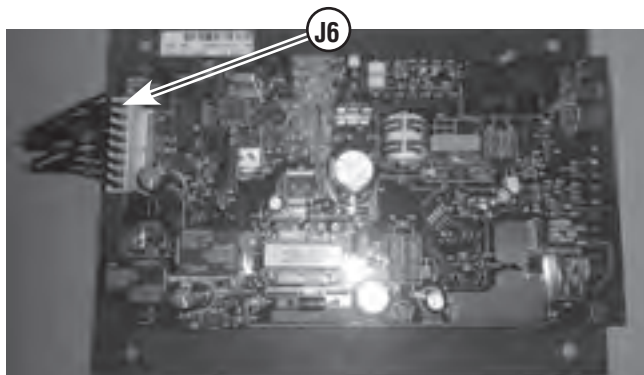


Figure 4A

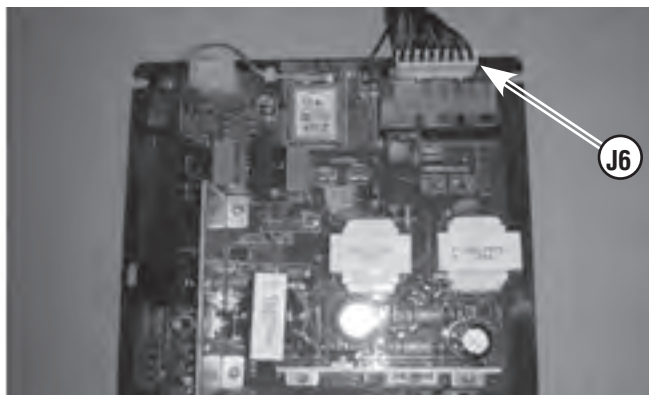


Figure 4B

- Retirez les vis pour accéder au tableau de commande à l'arrière du panneau. La génératrice est équipée d'un de deux tableaux de commande (Figure 4A or 4B).
- Débranchez le faisceau de câbles de la génératrice (connecteur à 8 fils) à partir du connecteur du tableau de commande J6.

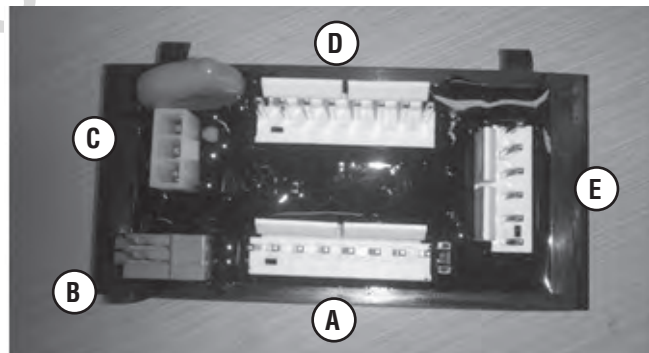


Figure 5

### Identification des connexions de la carte d'interface

Localisez la carte d'interface fournie dans la trousse. Avant de commencer, veuillez lire et comprendre les assignations des connecteurs de la carte d'interface ci-dessous (Figure 5).

- A** - Faisceau de câbles du tableau de commande à la génératrice
- B** - Connecteur de relais de défaillance
- C** - Connecteur du faisceau de séparation de 240 V
- D** - Connecteur de faisceau de passage
- E** - Connecteur de faisceau de câbles d'appareil cellulaire

## Installez un câble de relais

1. Localisez le câble de relais fourni dans la trousse. Déterminez la longueur de fil nécessaire et coupez deux morceaux. Dénudez les quatre extrémités avant l'installation.
2. Insérez une extrémité de chaque fil dans les bornes N.O. et COM dans la fiche du connecteur à 10 broches ou au bloc de raccordement. Insérez l'autre extrémité de chaque fil dans la carte d'interface en appuyant sur les languettes du connecteur de relais (B, Figure 5). La polarité n'a aucune importance.

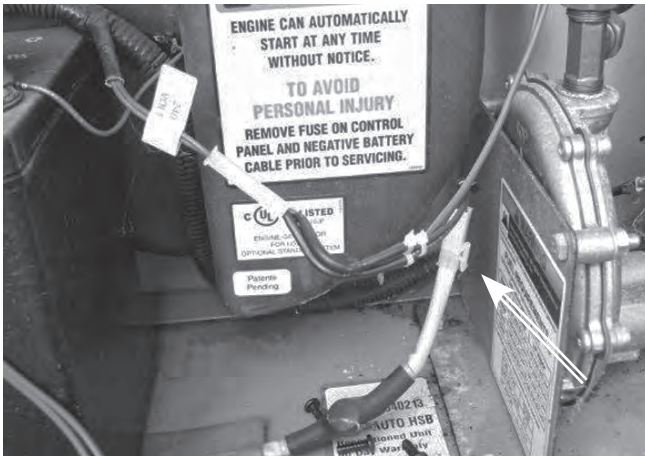


Figure 6

## Installez un harnais de séparation de 240 V (appareils refroidis à l'air)

1. Prenez le faisceau de séparation de 240V qui se trouve dans la trousse.
2. Branchez le faisceau de séparation de 240 V au connecteur du chauffe-batterie (flèche, Figure 6).
3. Faites passer l'autre extrémité du faisceau jusqu'à la carte d'interface et connectez-la au connecteur de faisceau de séparation de 240 V (C, Figure 5).

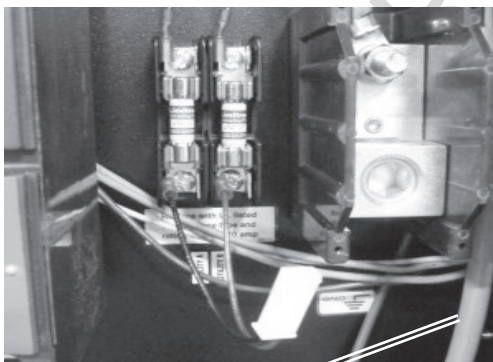


Figure 7

## Installez un faisceau de séparation de 240 V (appareils refroidis au liquide)

1. Prenez le faisceau de séparation de 240 V et le faisceau de l'adaptateur refroidi par liquide qui se trouvent dans la trousse.

2. Connectez le faisceau de séparation de 240 V au faisceau de l'adaptateur.
3. Dans la boîte à fusibles à l'intérieur de la génératrice, connectez chacun des fils du faisceau de l'adaptateur aux bornes à fourche sous chaque fusible (flèche, Figure 7).
4. Faites passer l'autre extrémité du faisceau jusqu'à la carte d'interface et connectez-la au connecteur de faisceau de séparation de 240 V (C, Figure 5).

## Installation du faisceau de passage

1. Prenez le faisceau de passage qui se trouve dans la trousse.
2. Connectez le faisceau de passage au tableau de commande, puis acheminez-le jusqu'à la carte d'interface et connectez-le au connecteur de faisceau de passage (D, Figure 5).

## Installation du faisceau de l'appareil cellulaire

1. Prenez le faisceau de l'appareil cellulaire qui se trouve dans la trousse.

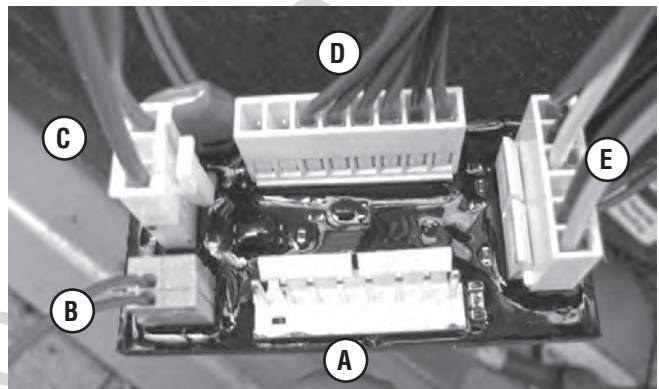


Figure 8

2. Connectez le faisceau de l'appareil cellulaire à l'appareil cellulaire, puis acheminez-le jusqu'à la carte d'interface et connectez-le au connecteur de faisceau de l'appareil cellulaire (E, Figure 5).

## Vérification de l'installation

1. Comparez vos connexions à la **Figure 8** pour confirmer l'installation appropriée des faisceaux.

*A - Faisceau de câbles du tableau de commande à la génératrice*

*B - Connecteur de relais de défaillance*

*C - Connecteur du faisceau de séparation de 240 V*

*D - Connecteur de faisceau de passage*

*E - Connecteur de faisceau de câbles d'appareil cellulaire*

2. Assurez-vous que tous ces connecteurs sont solidement en place.
3. Faites passer le faisceau de câbles de la génératrice du tableau de commande jusqu'à la carte d'interface et connectez-le au connecteur de faisceau de la génératrice (A, Figure 5).

## Installation de la carte d'interface

Préparez la surface de montage de la carte d'interface en la nettoyant à l'aide d'un tampon imbibé d'alcool ou d'une autre solution de nettoyage. Enlevez la pellicule protectrice de la bande adhésive au dos de la carte, puis appuyez fermement pour fixer la carte. Reportez-vous aux pages 9 et 10 au sujet de l'emplacement recommandé.

## Installation de l'appareil cellulaire

Nettoyez la surface de montage pour l'appareil cellulaire avec un tampon imbibé d'alcool ou une autre solution de nettoyage. Enlevez la pellicule protectrice de la bande adhésive au dos de la carte, puis appuyez fermement pour fixer l'unité. Connectez le câble de l'antenne à ce moment. Reportez-vous aux pages 9 et 10 au sujet de l'emplacement recommandé.

## Fermez la génératrice et installez les fusibles

1. Utilisez les attaches fournies pour organiser les faisceaux de câbles et pour fixer la longueur excessive de câbles.
2. Remplacez le tableau de commande et fixez-le avec des vis.
3. Remplacez le boîtier de commande à l'avant et fixez-le avec des vis.
4. Branchez le câble négatif de la batterie à la borne négative de la batterie marquée NEGATIF, NEG, ou (-).
5. Remplacez les fusibles dans le commutateur de transfert.
6. Remplacez le fusible de 15 A dans le tableau de commande.
7. Réglez le disjoncteur de la génératrice en **MARCHE**.
8. Réglez le commutateur de la génératrice à **AUTOMATIQUE**.

## Inscription et activation

L'accès au portail d'utilisateur InfoHub nécessite l'achat d'un abonnement. Vous devez inscrire et activer le système InfoHub au [www.infohubsp.com](http://www.infohubsp.com). Des guides d'utilisation et des vidéos éducatives sont offerts sur ce site.

Vous devrez lire et accepter le contrat de service de l'abonnement à InfoHub avant l'activation de l'abonnement mensuel, ainsi que les conditions générales d'utilisation et la politique de confidentialité avant l'accès au portail InfoHub. Visitez le [www.briggsinfohub.com](http://www.briggsinfohub.com) pour consulter ces politiques.

Pour obtenir de l'aide relative à l'inscription et à l'activation, appelez l'équipe de soutien à la clientèle d'InfoHub au 1-833-463-6482.

Avant l'installation, inscrivez le ESN et le P/N du module dans les espaces ci-dessous. Ces renseignements sont requis pour correctement attribuer le module à l'équipement dans le portail d'utilisateur.

### InfoHub

ESN :	
P/N :	

### Équipement

Marque :	
Type d'équipement :	
Numéro de modèle :	
Numéro de série	

## Exigences système minimales – Portail d'utilisateur

<b>Navigateurs compatibles et versions</b>
<ul style="list-style-type: none"><li>• Chrome – Version 59.0+</li><li>• Firefox – Version 54.0+</li><li>• Safari – Version 10.0+</li><li>• IE – Version 11.0+</li><li>• Edge – Version 15.0+</li></ul>
<b>Résolution d'affichage minimale</b>
<ul style="list-style-type: none"><li>• 1280 x 720</li></ul>
<b>Configuration de l'ordinateur requise</b>
<ul style="list-style-type: none"><li>• Intel® Core™ i3 ou équivalent</li><li>• 4 Go de RAM</li><li>• Accès à Internet</li></ul>
<b>Réglages spéciaux</b>
<ul style="list-style-type: none"><li>• L'activation des fenêtres surgissantes est requise pour les rapports.</li><li>• L'adresse URL utilisée pour l'outil iFrame doit prendre en charge les iFrame.</li></ul>

## DEL InfoHub

Les témoins d'état à DEL (C, Figure 9) sur le côté du module InfoHub peuvent fournir des renseignements précieux sur le fonctionnement de l'appareil.



Figure 9

Si vous avez besoin d'une assistance technique, vous devrez peut-être fournir les renseignements sur l'état de la DEL au service à la clientèle (1-833-463-6482).

Dans des configurations normales, les témoins à DEL du système de localisation GPS et des communications s'activent selon le tableau ci-dessous.

État de la DEL	Vert (GPS)	Orange (Communication)
ARRÊT*	GPS ARRÊTÉ	Modem ARRÊTÉ
Clignotement lent (1 par seconde)	Impossible d'acquérir le signal GPS.	Impossible d'acquérir le signal de communication.
Clignotement rapide (4 par seconde)	Tentative d'acquisition du signal GPS.	Tentative d'obtention du signal de communication.
3 clignotements + 1 pause	Sans objet.	Autorisé, mais aucun accusé de réception entrant reçu.
Solide	Signal GPS acquis.	Signal de communication acquis.

\*Dans des conditions de fonctionnement normales, l'alimentation de l'appareil est perdue si les témoins à DEL du GPS et des communications sont ARRÊTÉ. Les appareils sont configurables. La fonctionnalité de modem et les témoins d'état à DEL peuvent être désactivés. Si les DEL ne s'allument pas lorsque l'appareil est connecté à votre batterie, visitez le [www.infohubct.com](http://www.infohubct.com) ou communiquez avec le soutien technique pour vérifier la configuration.

## Capacités du système de localisation GPS

Le système InfoHub est doté de fonctionnalités du système de localisation (GPS). La technologie GPS fournit des fonctionnalités de géolocalisation permettant de localiser l'emplacement de la personne ou de l'équipement. Elle offre également des fonctionnalités de géorepérage qui permettent de déclencher des réponses lorsque l'équipement entre ou quitte une zone précise. Celle-ci peut aussi être utilisée pour identifier l'emplacement de la personne relativement à une zone déterminée. Certaines lois fédérales et étatiques peuvent vous obliger à informer les employés (ou d'autres personnes qui sont autorisées à utiliser l'équipement) que l'équipement contient le système InfoHub recueillant des renseignements sur leur emplacement ou l'emplacement de l'équipement.

## Renseignements relatifs à la FCC pour l'utilisateur

CET ÉQUIPEMENT A ÉTÉ TESTÉ ET DÉCLARÉ CONFORME AUX LIMITES D'INTERFÉRENCES RELATIVES AUX APPAREILS NUMÉRIQUES DE CLASSE B DE LA SECTION 15 DU RÈGLEMENT DE LA FCC.

CES LIMITES SONT ÉLABORÉES DANS LE BUT DE FOURNIR UNE PROTECTION RAISONNABLE CONTRE LES INTERFÉRENCES NUISIBLES DANS UNE INSTALLATION RÉSIDENNELLE.

CET ÉQUIPEMENT GÉNÈRE, UTILISE ET ÉMET DES RADIOFRÉQUENCES ET PEUT CAUSER DES INTERFÉRENCES NUISIBLES AUX COMMUNICATIONS RADIO LORSQU'IL N'EST PAS INSTALLÉ ET UTILISÉ CONFORMÉMENT À CES DIRECTIVES. CEPENDANT, NOUS NE POUVONS PAS VOUS GARANTIR QUE DES INTERFÉRENCES NE SE PRODUIRONT PAS DANS CERTAINES INSTALLATIONS. SI CET ÉQUIPEMENT CAUSE DES INTERFÉRENCES NUISIBLES À LA RÉCEPTION DE LA RADIO OU DE LA TÉLÉVISION, CE QUI PEUT ÊTRE DÉTERMINÉ EN ALLUMANT ET ÉTEIGNANT L'ÉQUIPEMENT, ESSAYEZ D'ÉLIMINER CES INTERFÉRENCES EN EFFECTUANT UNE OU PLUSIEURS DES MESURES SUIVANTES :

- RÉORIENTEZ OU DÉPLACEZ L'ANTENNE RÉCEPTRICE.
- AUGMENTEZ LA DISTANCE ENTRE L'ÉQUIPEMENT ET LE RÉCEPTEUR.
- NE BRANCHEZ PAS L'ÉQUIPEMENT SUR UNE PRISE DU MÊME CIRCUIT SUR LEQUEL EST BRANCHÉ LE RÉCEPTEUR.
- COMMUNIQUEZ AVEC LE CONCESSIONNAIRE OU UN TECHNICIEN SPÉCIALISTE DES RADIOS ET TÉLÉVISIONS POUR OBTENIR DE L'AIDE.

## Renseignements relatifs à Industry Canada pour l'utilisateur

CE DISPOSITIF EST CONFORME AU CAHIER DES CHARGES SUR LES NORMES RADIOÉLECTRIQUES (CNR) POUR LES APPAREILS RADIO EXEMPTS DE LICENCE. LE FONCTIONNEMENT EST ASSUJETTI AUX DEUX CONDITIONS SUIVANTES :

- CE DISPOSITIF POURRAIT NE PAS CAUSER D'INTERFÉRENCES; ET
- CE DISPOSITIF NE DOIT PAS GÉNÉRER D'INTERFÉRENCES, INCLUANT LES INTERFÉRENCES POUVANT CAUSER UN FONCTIONNEMENT NON DÉSIRÉ.



# Emplacements d'installation du infohub™ suggérés

Les emplacements suggérés pour chaque type de génératrice de secours sont montrés aux pages suivantes.

Utilisez les illustrations comme guide pour le montage de la carte d'interface (E) et l'appareil cellulaire (G). Dans certains cas, la carte d'interface doit être montée dans la zone située derrière le tableau de commande pour s'assurer de pouvoir établir les connexions avec les câbles. Dans ces cas, on vous l'indiquera.

Les illustrations suivantes sont représentatives. Votre modèle de génératrice peut différer.

## ***Pour les modèles dotés de ce tableau de commande :***

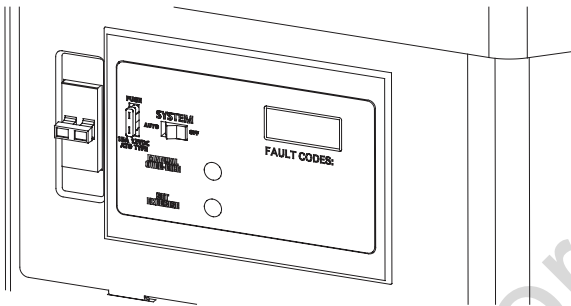


Figure 10

## **Générateurs de secours horizontales refroidies à l'air**

Installez (E) derrière le tableau de commande pour s'assurer de pouvoir établir les connexions avec les câbles.

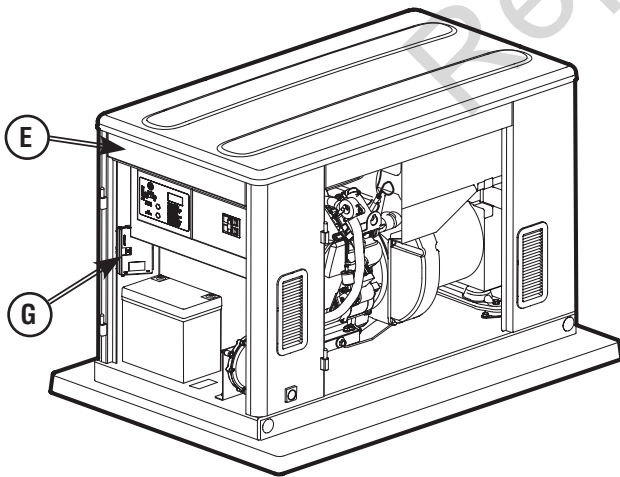


Figure 11

**Générateurs de secours verticales refroidies à l'air**  
Installez (E) derrière le tableau de commande pour s'assurer de pouvoir établir les connexions avec les câbles.

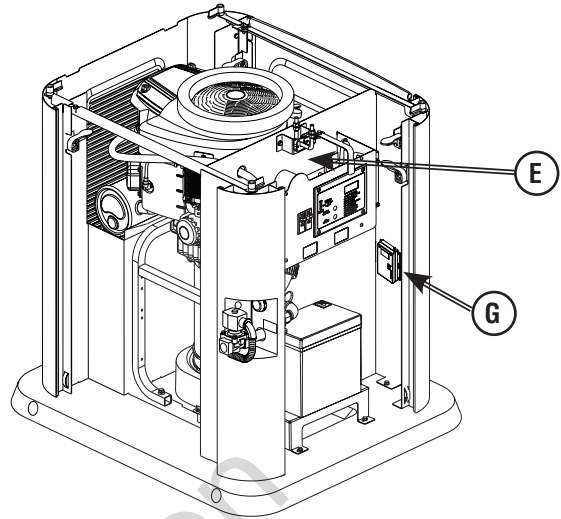


Figure 12

## **Générateurs de secours verticales refroidies à l'air**

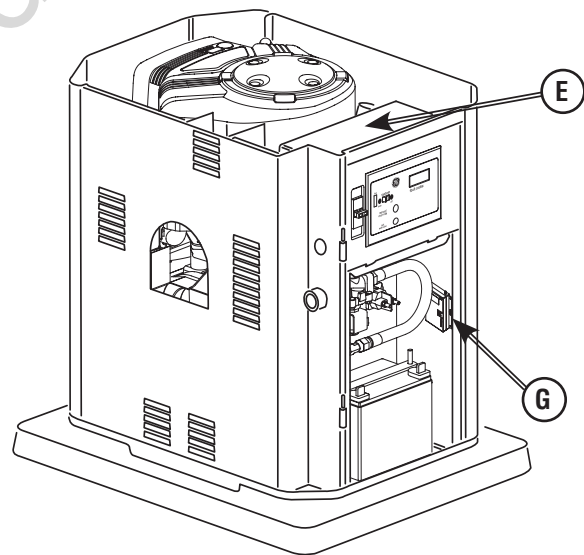


Figure 13

**\* Pour les générateurs de secours horizontales refroidies par liquide, reportez-vous à la figure 17 à la page 10**

**Pour les modèles dotés de ce tableau de commande :**

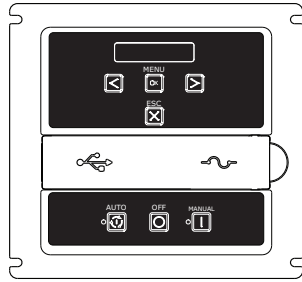


Figure 14

Génératrices de secours verticales refroidies à l'air

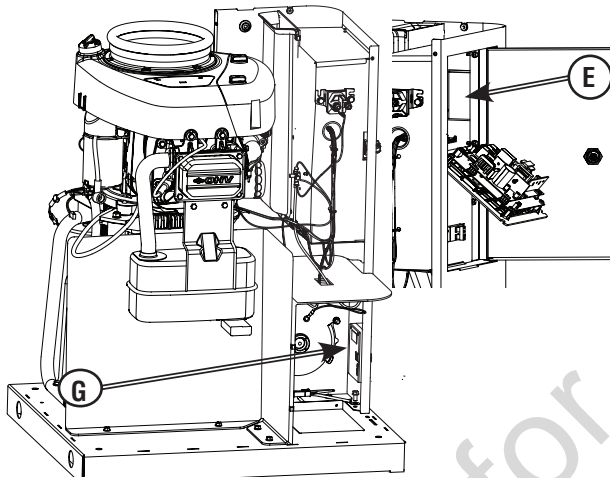


Figure 15

Génératrices de secours horizontales refroidies à l'air

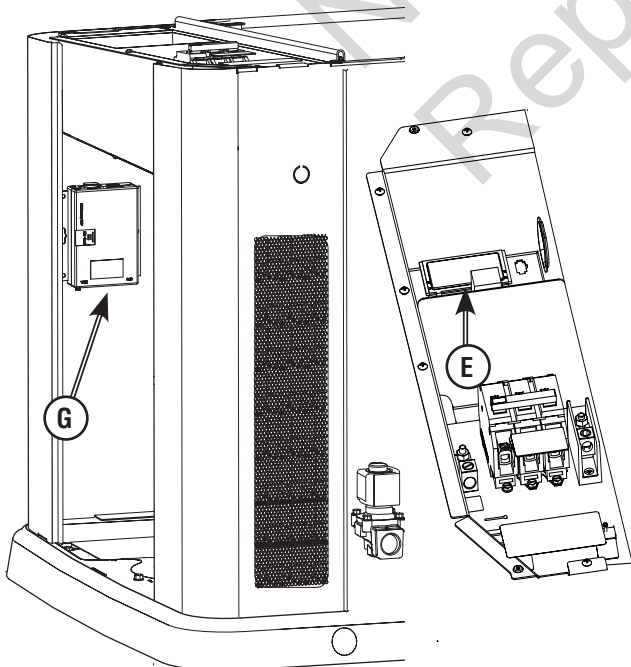


Figure 16

Génératrices de secours horizontales refroidies par liquide

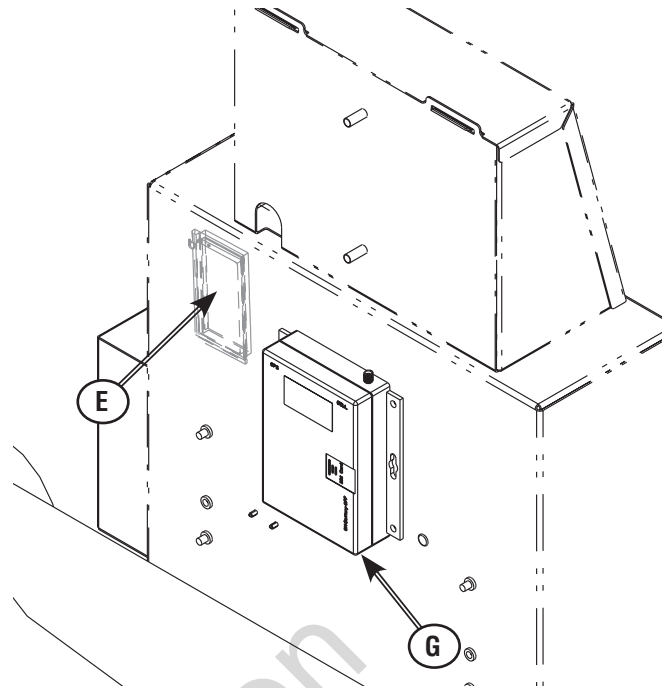


Figure 17

Génératrices de secours horizontales refroidies par liquide

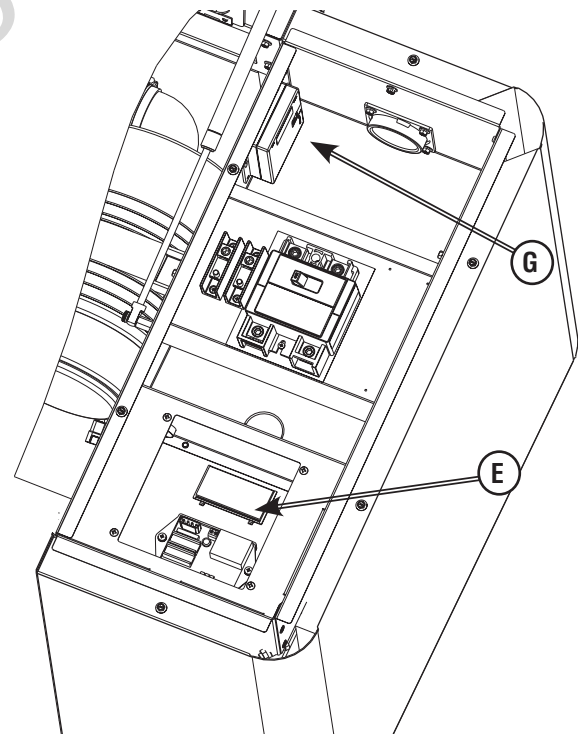
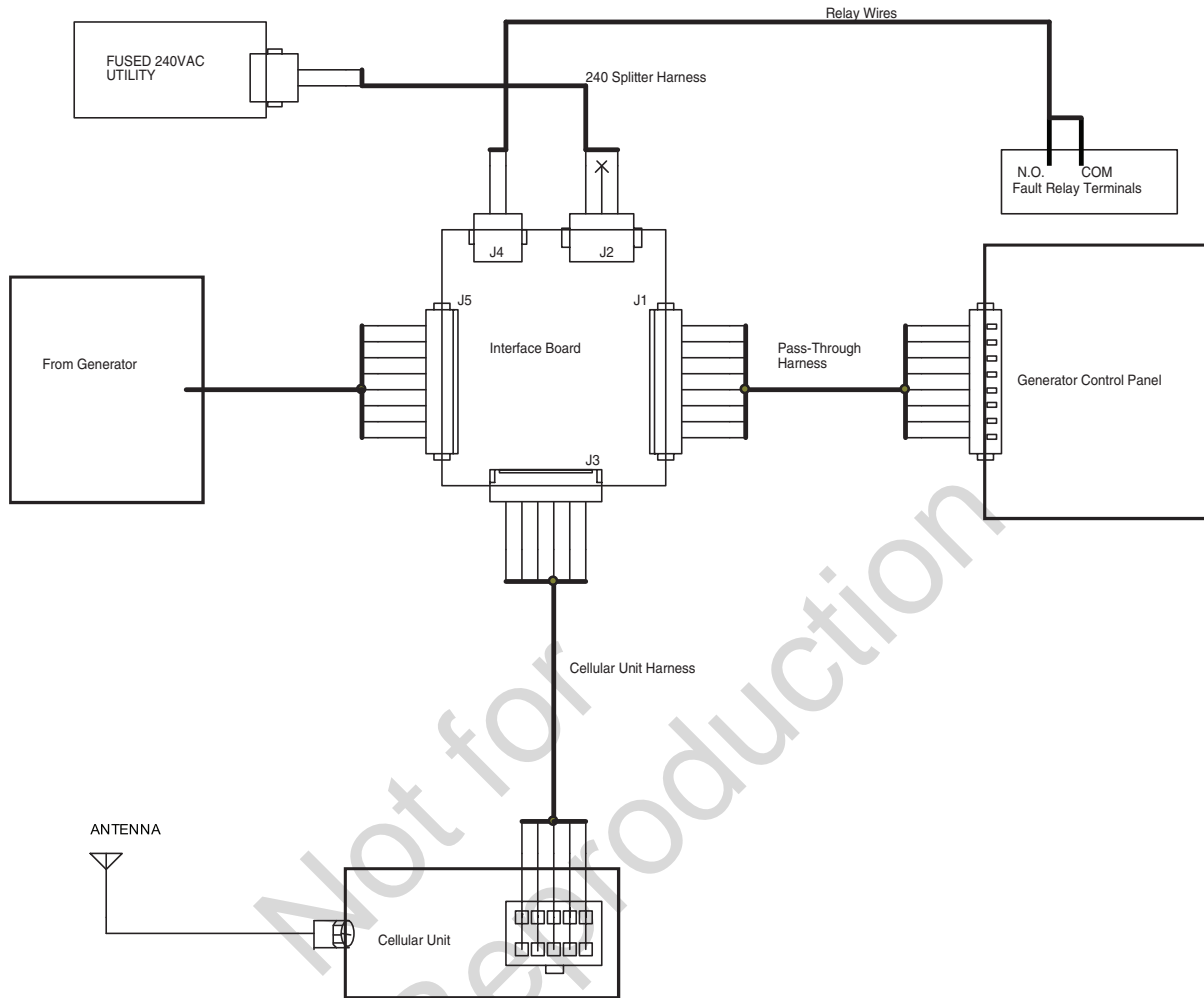


Figure 18

# System Diagram



## BRIGGS & STRATTON PRODUCTS WARRANTY POLICY

### LIMITED WARRANTY

Briggs & Stratton warrants that, during the warranty period specified below, it will repair or replace, free of charge, any part that is defective in material or workmanship or both. Transportation charges on product submitted for repair or replacement under this warranty must be borne by purchaser. This warranty is effective for and is subject to the time periods and conditions stated below. For warranty service, find the nearest Authorized Service Dealer in our dealer locator map at

BRIGGSandSTRATTON.COM . The purchaser must contact the Authorized Service Dealer, and then make the product available to the Authorized Service Dealer for inspection and testing.

**There are no other express warranties or implied warranties, including those of merchantability, fitness for a particular purpose, or that use of the product will be available uninterrupted, timely, secure or error free. The warranty is limited to the warranty period listed below, or to the extent permitted by law. Liability for incidental or consequential damages are excluded to the extent exclusion is permitted by law.** Some states or countries do not allow limitations on how long an implied warranty lasts, and some states or countries do not allow the exclusion or limitation of incidental or consequential damages, so the above limitation and exclusion may not apply to you. This warranty gives you specific legal rights and you may also have other rights which vary from state to state or country to country.\*\*

### WARRANTY PERIOD

Item	Consumer Use	Commercial Use
Accessory/Attachment	12 months	12 months

\*\* In Australia - Our goods come with guarantees that cannot be excluded under the Australian Consumer Law. You are entitled to a replacement or refund for a major failure and for compensation for any other reasonably foreseeable loss or damage. You are also entitled to have the goods repaired or replaced if the goods fail to be of acceptable quality and the failure does not amount to a major failure. For warranty service, find the nearest Authorized Service Dealer in our dealer locator map at BRIGGSandSTRATTON.COM, or by calling 1300 274 447, or by emailing or writing to salesenquires@briggsandstratton.com.au, Briggs & Stratton Australia Pty Ltd, 1 Moorebank Avenue, NSW, Australia, 2170.

The warranty period begins on the date of purchase by the first retail or commercial consumer. "Consumer use" means personal residential household use by a retail consumer "Commercial use" means all other uses, including use for commercial, income producing or rental purposes. Once a product has experienced commercial use, it shall thereafter be considered as a commercial use product for purposes of this warranty.

To ensure prompt and complete warranty coverage, register your product at the website shown above or at [www.onlineproductregistration.com](http://www.onlineproductregistration.com), or mail the completed registration card (if provided.)

Save your proof of purchase receipt. If you do not provide proof of the initial purchase date at the time warranty service is requested, the manufacturing date of the product will be used to determine the warranty period. Product registration is not required to obtain warranty service on Briggs & Stratton products.

### ABOUT YOUR WARRANTY

Warranty service is available only through Briggs & Stratton Authorized Service Dealers. Most warranty repairs are handled routinely, but sometimes requests for warranty service may not be appropriate. This warranty covers only defects in materials or workmanship. It does not cover damage caused by improper use or abuse, improper maintenance or repair, or normal wear and tear.

**Improper Use and Abuse** - The proper, intended use of this product is described in the Operator's Manual. Using the product in a way not described in the Operator's Manual or using the product after it has been damaged will not be covered under this warranty. Warranty coverage will also not be provided if the serial number on the product has been removed or the product has been altered or modified in any way, or if the product has evidence of abuse such as impact damage or water/chemical corrosion damage.

**Improper Maintenance or Repair** - This product must be installed and maintained according to the procedures and schedules provided in the Installation Manual and the Operator's Manual, and serviced or repaired using genuine Briggs & Stratton parts or equivalent. Damage caused by improper installation, lack of maintenance or use of non-original parts is not covered by this warranty.

**Normal Wear and Tear** - Like most mechanical devices, your unit is subject to wear even when properly maintained. This warranty does not cover repairs when normal use has exhausted the life of a part or the equipment. Maintenance and wear items such as filters, belts, cutting blades, and brake pads (except engine brake pads) are not covered by warranty due to wear characteristics alone, unless the cause is due to defects in material or workmanship.

**Operating Conditions** - Use of the Internet connected product may be inhibited by inability to obtain and maintain a network connection, send or receive GPS, satellite or wireless connections, electromagnetic interference, environmental or atmospheric conditions, cyber security attacks, or other conditions beyond our control. Respectively we make no warranty concerning coverage or distance or conditions beyond our control of which inhibits usable signals transmitted and received by our product.

**Other Exclusions** - This warranty excludes damage due to accident, abuse, modifications, alterations, improper servicing, freezing or chemical deterioration. Attachments or accessories that were not originally packaged with the product are also excluded. This warranty does not include used, reconditioned, second-hand, or demonstration equipment or engines. This warranty also excludes failures due to acts of God and other force majeure events beyond the manufacturer's control.