



Installation Instructions



Wireless Monitoring For Standby Generators

Model 6574

Questions?

Help is just a moment away!

Call Technical Services **1-833-463-6482**

Monday-Friday 8:00 am to 5:00 pm Central Time

Advanced Monitoring Kit Contents

Keep this document with the generator operator's manual after installation is complete.

infoHub™ Kit Contents:

- A • Wire Ties
- B • Rubber Grommet
- C • Cellular Unit
- D • Harness
- E • Voltage Sensor
- F • Antenna
- G • Washer
- H • Tape
- J • Splice

Items needed to install the kit:

- Drill with 3/8 inch bit
- Alcohol wipes or other cleaning solution
- Standard and Phillips screwdrivers
- Volt meter or multimeter
- Wire cutter/stripper
- De-burring Tool
- Rust Inhibitor

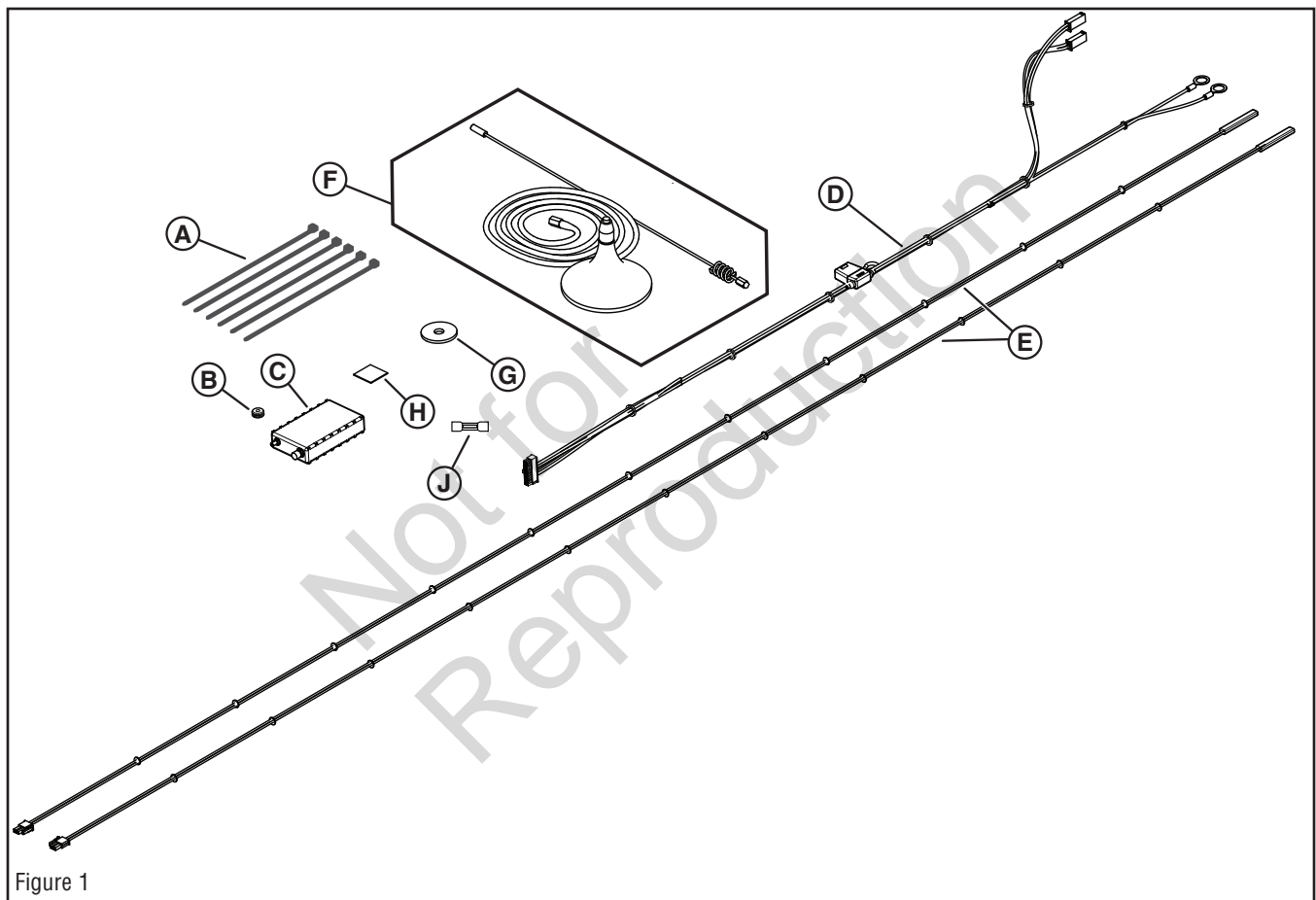


Figure 1

Important Safety Instructions

SAVE THESE INSTRUCTIONS - This manual contains important instructions that should be followed during installation and maintenance of the generator and batteries.

Safety Symbols and Meanings

⚠ The safety alert symbol indicates a potential personal injury hazard. A signal word (DANGER, WARNING, or CAUTION) is used with the alert symbol to designate a degree or level of hazard seriousness. A safety symbol may be used to represent the type of hazard. The signal word NOTICE is used to address practices not related to personal injury.

⚠ **DANGER** indicates a hazard which, if not avoided, will result in death or serious injury.

⚠ **WARNING** indicates a hazard which, if not avoided, could result in death or serious injury.

⚠ **CAUTION** indicates a hazard which, if not avoided, could result in minor or moderate injury.

NOTICE Addresses practices not related to personal injury

The manufacturer cannot anticipate every circumstance that might involve a hazard. The warnings in this manual, and the tags and decals affixed to the unit are, therefore, not all-inclusive. If you use a procedure, work method or operating technique that the manufacturer does not specifically recommend, you must satisfy yourself that it is safe for you and others. You must also make sure that the procedure, work method or operating technique that you choose does not render the generator system unsafe.

Hazard Symbols and Meanings



Electrical Shock



Rotating Parts



Auto Start

Only qualified, licensed electricians should perform this installation, which must strictly comply with applicable codes, standards, and regulations.

⚠ **WARNING** This product can expose you to chemicals including used engine oil, which is known to the State of California to cause cancer, and carbon monoxide, which is known to the State of California to cause birth defects or other reproductive harm. For more information go to www.P65Warnings.ca.gov.

⚠ **WARNING** Generator produces hazardous voltage. Failure to properly ground generator could result in electrocution. Failure to isolate generator from utility power could result in death or serious injury to electric utility workers, due to back-feed of electrical energy.



- DO NOT touch bare wires or bare receptacles.
- DO NOT use generator with electrical cords which are worn, frayed, bare, or otherwise damaged.
- DO NOT handle generator or electrical cords while standing in water, while barefoot, or while hands or feet are wet.
- If you must work around a unit while it is operating, stand on an insulated dry surface to reduce the risk of a shock hazard.
- DO NOT allow unqualified persons or children to operate or service generator.
- In case of an accident caused by electrical shock, immediately shut down the source of electrical power and contact the local authorities. Avoid direct contact with the victim.
- Despite the safe design of the generator, operating this equipment imprudently, neglecting its maintenance, or being careless could cause possible injury or death.
- Remain alert at all times while working on this equipment. Never work on the equipment when you are physically or mentally fatigued.
- Before performing any maintenance on the generator, first disconnect the battery cable indicated by a NEGATIVE, NEG, or (-). When finished, reconnect that cable last.
- After your system is installed, the generator may crank and start without warning any time there is a power failure. BEFORE working on the equipment, and to prevent possible injury, always set the generator system switch to OFF, remove the service disconnect fuse from the disconnect box, and remove the 15 Amp fuse.

⚠ **CAUTION** Installing the 15 Amp fuse could cause the engine to start at any time without warning, resulting in minor or moderate injury.



- Observe that the 15 Amp fuse has been removed from the control panel before servicing.
- DO NOT install this fuse until all wiring has been completed and inspected.

Installation

Thank you for purchasing this home standby accessory. When installed according to these instructions, the monitoring device will provide years of dependable service. Keep your purchase receipt with this instruction sheet and store with your other generator manuals after installation.

IMPORTANT: Illustrations used in this document are for reference and may not represent the actual unit being serviced. Your installation will be similar.

Equipment Description

Utility Voltage Detection - The voltage detection sensor is used to sense the presence or absence of Utility AC Voltage. This sensor can be installed on any conductor that supplies utility AC Voltage such as the battery charger, block heater input circuit or Utility AC leads from the transfer switch. This will signal "Utility Power On" and "Utility Power Off" to the monitoring unit.

Generator Voltage Detection - The voltage detection sensor is used to sense the presence or absence of generator voltage on the output side of the generator breaker.

This kit will signal a "Generator Stopped" condition to the monitoring unit when NO generator or utility AC voltage is present.

This kit will signal "Exercise" when a utility AC voltage is present and a Generator AC voltage is present.

This kit will signal "Running" when a Generator AC voltage is present and a Utility AC voltage is NOT present

Disconnect Power

Before performing any installation, maintenance, or service on the generator, ALWAYS perform the following steps:

1. Set generator system switch to **OFF**.
2. Set generator circuit breaker to **OFF**.
3. Remove the fuse from the main generator.
4. **Utility voltage is present at generator control panel.** Remove the fuses from the transfer switch to disconnect power before servicing the control panel.
5. Disconnect negative battery cable from negative battery terminal, indicated by NEGATIVE, NEG, or (-).

NOTICE: Only existing wire harness holes should be used to route the InfoHub™ harness when possible. Except for the antenna cable hole, it should not be necessary to drill other access holes.

Drill Hole for Antenna Cable

1. Using a 3/8 inch bit, drill a hole into the enclosure near the intended location of the cellular unit so that the antenna cable will reach the unit (A, Figure 2). The hole should be placed near the roof but not so close as to cause interference when the roof is fully opened.

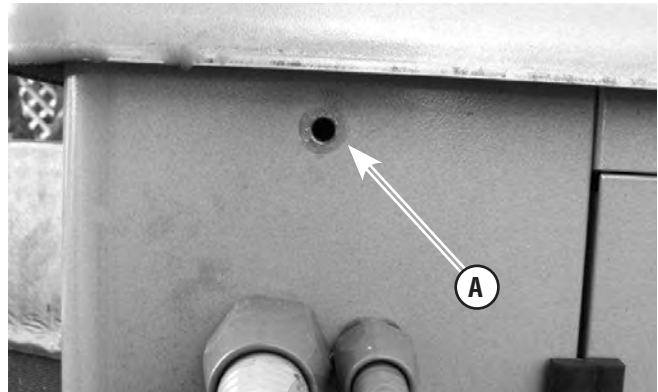


Figure 2

2. After drilling the hole, remove any burrs and metal shavings from the enclosure to prevent rusting.
3. Apply a small amount of rust inhibitor to the inside and outside of the hole edges and allow to dry.

Mount Antenna to Roof

1. Find the supplied rubber grommet (B, Figure 1) in the kit.
2. Carefully cut one side to the center of the rubber grommet. DO NOT cut in half.
3. When the rust inhibitor is dry on the antenna cable hole, slip the rubber grommet (B, Figure 1) over the antenna cable, feed the antenna wire through the hole, and fit the grommet (B) into the hole.
- 4A. Mount the magnetic antenna (F, Figure 1) on the generator roof.
- 4B. For units with plastic or aluminum roofs, use the supplied washer (G, Figure 1) and adhesive tape (H, Figure 1).
 - Find a suitable location on the roof. This location should be near the antenna cable hole.
 - Remove the red adhesive protection film from the washer (G, Figure 1) and press firmly to the roof.
 - Place magnetic antenna (F, Figure 1) onto the washer.

5. On the outside of the enclosure, loop and secure the antenna cable with a wire tie as shown in (Figure 3) to help prevent water from entering the unit.



Figure 3

6. Route the antenna cable toward the intended mounting location of the cellular unit.

Mount Cellular Unit

Clean the mounting surface for the cellular unit with an alcohol wipe or other cleaning solution. Peel the covering from the adhesive strip on the back of the unit, then firmly press the unit in place. Connect the antenna cable at this time.

Install Sensors

Before installing this detector, AC power should be disconnected (turned off) for all connection points.

NOTICE The sensor is designed to sense ONLY one (1) phase/leg of AC voltage. If the sensor is too close to another phase/leg the sensor may pick up the voltage from the other phase and cancel out the signal. Make sure to put the AC sensor on the opposite side of the conductor and away from any other phases.

AC Voltage Sensors Utility Voltage Sensing

1. Attach the AC voltage sensor to an insulated “hot” conductor that is supplying normal utility voltage. Typical connection points are the utility power source for the battery charger, the block heater, utility power sensing from the ATS or a load center in the generator enclosure. Put the sensor onto the outside of the conductor. Secure the sensor with electrical tape and zip tie the sensor wires as needed.
DO NOT use zip ties directly on the sensor as it may damage the sensor board.
2. Connect the sensor to the cellular harness “utility” connector.

Generator Voltage Sensing

1. Attach the AC voltage sensor to an insulated “hot” conductor on the OUTPUT side of the generator main line circuit breaker. Put the sensor onto the outside of the conductor. Secure the sensor with electrical tape and zip tie the sensor wires as needed.
DO NOT use zip ties directly on the sensor as it may damage the sensor board.
2. Connect the sensor to the cellular harness “generator” connector.

Fault Detection

1. Find the fault relay or contact that signals a fault on the generator. Consult the generator manual for fault relay’s location.
2. Find the blue “Fault Active High” (F-AH) and yellow “Fault Active Low” (F-AL) wires on the cellular harness.
3. Determine if the fault signal from the generator switches to GROUND or +12V.

If GROUND, cut and strip the yellow “Fault Active Low” (F-AL) wire and connect it to the fault contact.

If +12V, cut and strip the blue “Fault Active High” (F-AH) wire and connect it to the fault contact.

NOTICE A second wire may be needed if the Fault Active Low (F-AL) is not connected to ground or if the Fault Active High (F-AH) is not connected to the other side of the fault contact to +12V.

4. Connect the ring terminals to the battery.
- **NOTICE** for Briggs and Stratton© generators with a GC1031 controller connect the blue “Fault Active High” (F-AH) wire to pin 6 “DIG O/P D” on the back of the controller. Make sure the screw connection is tight on the connector.

Close Generator and Install Fuses

1. Use the supplied wire ties to organize the harness wires and to secure excess wire lengths.
2. Install all the components that were removed.
3. Connect negative battery cable to negative battery terminal, indicated by NEGATIVE, NEG, or (-).
4. Install the fuses into the transfer switch.
5. Install the generator fuse.
6. Set generator circuit breaker to **ON**.
7. Set generator system switch to **AUTO/Standby**.

Registration and Activation

Access to the InfoHub™ user portal requires purchase of a subscription. You must register and activate the InfoHub™ system on-line at www.infohubsp.com. User guides and instructional videos are available at this site.

You will be required to read and comply with the InfoHub™ Subscription Service Agreement prior to activation of the monthly subscription, and the Terms of Use and Privacy Policy prior to accessing the InfoHub™ portal. Visit www.briggsinfohub.com to preview those policies.

For registration and activation support, call the InfoHub™ support team at 1-833-463-6482.

Prior to installation, record the module ESN and P/N in the spaces below. This information is required to correctly assign the module to the equipment in the user portal.

InfoHub™

ESN:	
P/N:	

Equipment

Brand:	
Equipment Type:	
Model Number:	
Serial Number	

Minimum System Requirements - User Portal

Supported Browsers and Versions
<ul style="list-style-type: none">• Chrome - Version 59.0+• Firefox - Version 54.0+• Safari - Version 10.0+• IE - Version 11.0+• Edge - Version 15.0+
Minimum Display Resolution
<ul style="list-style-type: none">• 1280 x 720
Computer Requirements
<ul style="list-style-type: none">• Intel® Core™ i3 or equivalent• 4GB of RAM• Internet access
Special Settings
<ul style="list-style-type: none">• Pop-ups are required for reporting.• URL used for iFrame tool must support iFrames.

Not for
Reproduction

InfoHub™ LEDs

Status LED lights (A, Figure 3) on the side of the InfoHub™ module can provide valuable information about the operation of the device.



Figure 3

Should you need technical assistance, you may need to provide the LED status information to technical support (1-833-463-6482).

Under standard configurations, GPS and Communications LED lights are enabled using the chart below.

LED Condition	Green (GPS)	Orange (Communication)
OFF*	GPS OFF	Modem OFF
Slow Blink (1x Per Second)	Cannot acquire GPS signal.	Cannot acquire communication signal.
Fast Blink (4x Per Second)	Attempting to acquire GPS signal.	Attempting to acquire communication signal.
3 Blinks + 1 Pause	Not Applicable.	Registered, but no inbound acknowledgment.
Solid	GPS Acquired.	Communication acquired.

* Under normal operating conditions, if both GPS & Communications LEDs are OFF, power to the device has been lost. The devices are configurable. The modem functionality and LED status lights can be disabled. In the event the LEDs are not present when the device is connected to your battery, please reference www.infohubsp.com or contact technical support to verify configuration.

Global Position System (GPS) Capabilities

The InfoHub system contains Global Position System (GPS) capabilities. The GPS technology provides geo-location capabilities which can be used to identify the specific location of a person and/or the equipment. The GPS technology also enables geo-fencing capabilities which enable triggering responses when the equipment enters or leaves a particular area and can be used to identify a person's location relative to predetermined boundaries. Certain federal and state laws, rules and regulations may require you to notify employees, or other persons who you permit to operate or use your equipment, that the equipment contains the InfoHub system, and that the InfoHub system collects information about their physical location and/or the physical location of the equipment.

FCC User Information

THIS EQUIPMENT HAS BEEN TESTED AND FOUND TO COMPLY WITH THE LIMITS FOR A CLASS B DIGITAL DEVICE, PURSUANT TO PART 15 OF THE FCC RULES.

THESE LIMITS ARE DESIGNED TO PROVIDE REASONABLE PROTECTION AGAINST HARMFUL INTERFERENCE IN A RESIDENTIAL INSTALLATION. THIS EQUIPMENT GENERATES, USES AND CAN RADIATE RADIO FREQUENCY ENERGY, AND IF NOT INSTALLED AND USED IN ACCORDANCE WITH THE INSTRUCTIONS, MAY CAUSE HARMFUL INTERFERENCE TO RADIO COMMUNICATIONS. HOWEVER, THERE IS NO GUARANTEE THAT INTERFERENCE WILL NOT OCCUR IN A PARTICULAR INSTALLATION. IF THIS EQUIPMENT DOES CAUSE HARMFUL INTERFERENCE TO RADIO OR TELEVISION RECEPTION, WHICH CAN BE DETERMINED BY TURNING THE EQUIPMENT OFF AND ON, THE USER IS ENCOURAGED TO TRY TO CORRECT THE INTERFERENCE BY ONE OR MORE OF THE FOLLOWING MEASURES:

- REORIENT OR RELOCATE THE RECEIVING ANTENNA.
- INCREASE THE SEPARATION BETWEEN THE EQUIPMENT AND RECEIVER.
- CONNECT THE EQUIPMENT INTO AN OUTLET ON A CIRCUIT DIFFERENT FROM THAT TO WHICH THE RECEIVER IS CONNECTED.
- CONSULT THE DEALER OR AN EXPERIENCED RADIO/TV TECHNICIAN FOR HELP.

IC User Information

THIS DEVICE COMPLIES WITH INDUSTRY CANADA'S LICENCE-EXEMPT RSSS. OPERATION IS SUBJECT TO THE FOLLOWING TWO CONDITIONS:

- THIS DEVICE MAY NOT CAUSE INTERFERENCE; AND
- THIS DEVICE MUST ACCEPT ANY INTERFERENCE, INCLUDING INTERFERENCE THAT MAY CAUSE UNDESIRE OPERATION OF THE DEVICE.

BRIGGS & STRATTON PRODUCTS WARRANTY POLICY

LIMITED WARRANTY

Briggs & Stratton warrants that, during the warranty period specified below, it will repair or replace, free of charge, any part that is defective in material or workmanship or both. Transportation charges on product submitted for repair or replacement under this warranty must be borne by purchaser. This warranty is effective for and is subject to the time periods and conditions stated below. For warranty service, find the nearest Authorized Service Dealer in our dealer locator map at

BRIGGSandSTRATTON.COM . The purchaser must contact the Authorized Service Dealer, and then make the product available to the Authorized Service Dealer for inspection and testing.

There are no other express warranties or implied warranties, including those of merchantability, fitness for a particular purpose, or that use of the product will be available uninterrupted, timely, secure or error free. The warranty is limited to the warranty period listed below, or to the extent permitted by law. Liability for incidental or consequential damages are excluded to the extent exclusion is permitted by law. Some states or countries do not allow limitations on how long an implied warranty lasts, and some states or countries do not allow the exclusion or limitation of incidental or consequential damages, so the above limitation and exclusion may not apply to you. This warranty gives you specific legal rights and you may also have other rights which vary from state to state or country to country.**

WARRANTY PERIOD

Item	Consumer Use	Commercial Use
Accessory/Attachment	12 months	12 months

** In Australia - Our goods come with guarantees that cannot be excluded under the Australian Consumer Law. You are entitled to a replacement or refund for a major failure and for compensation for any other reasonably foreseeable loss or damage. You are also entitled to have the goods repaired or replaced if the goods fail to be of acceptable quality and the failure does not amount to a major failure. For warranty service, find the nearest Authorized Service Dealer in our dealer locator map at BRIGGSandSTRATTON.COM, or by calling 1300 274 447, or by emailing or writing to salesenquires@briggsandstratton.com.au, Briggs & Stratton Australia Pty Ltd, 1 Moorebank Avenue, NSW, Australia, 2170.

The warranty period begins on the date of purchase by the first retail or commercial consumer. "Consumer use" means personal residential household use by a retail consumer "Commercial use" means all other uses, including use for commercial, income producing or rental purposes. Once a product has experienced commercial use, it shall thereafter be considered as a commercial use product for purposes of this warranty.

To ensure prompt and complete warranty coverage, register your product at the website shown above or at www.onlineproductregistration.com, or mail the completed registration card (if provided.)

Save your proof of purchase receipt. If you do not provide proof of the initial purchase date at the time warranty service is requested, the manufacturing date of the product will be used to determine the warranty period. Product registration is not required to obtain warranty service on Briggs & Stratton products.

ABOUT YOUR WARRANTY

Warranty service is available only through Briggs & Stratton Authorized Service Dealers. Most warranty repairs are handled routinely, but sometimes requests for warranty service may not be appropriate. This warranty covers only defects in materials or workmanship. It does not cover damage caused by improper use or abuse, improper maintenance or repair, or normal wear and tear.

Improper Use and Abuse - The proper, intended use of this product is described in the Operator's Manual. Using the product in a way not described in the Operator's Manual or using the product after it has been damaged will not be covered under this warranty. Warranty coverage will also not be provided if the serial number on the product has been removed or the product has been altered or modified in any way, or if the product has evidence of abuse such as impact damage or water/chemical corrosion damage.

Improper Maintenance or Repair - This product must be installed and maintained according to the procedures and schedules provided in the Installation Manual and the Operator's Manual, and serviced or repaired using genuine Briggs & Stratton parts or equivalent. Damage caused by improper installation, lack of maintenance or use of non-original parts is not covered by this warranty.

Normal Wear and Tear - Like most mechanical devices, your unit is subject to wear even when properly maintained. This warranty does not cover repairs when normal use has exhausted the life of a part or the equipment. Maintenance and wear items such as filters, belts, cutting blades, and brake pads (except engine brake pads) are not covered by warranty due to wear characteristics alone, unless the cause is due to defects in material or workmanship.

Operating Conditions - Use of the Internet connected product may be inhibited by inability to obtain and maintain a network connection, send or receive GPS, satellite or wireless connections, electromagnetic interference, environmental or atmospheric conditions, cyber security attacks, or other conditions beyond our control. Respectively we make no warranty concerning coverage or distance or conditions beyond our control of which inhibits usable signals transmitted and received by our product.

Other Exclusions - This warranty excludes damage due to accident, abuse, modifications, alterations, improper servicing, freezing or chemical deterioration. Attachments or accessories that were not originally packaged with the product are also excluded. This warranty does not include used, reconditioned, second-hand, or demonstration equipment or engines. This warranty also excludes failures due to acts of God and other force majeure events beyond the manufacturer's control.



Instrucciones de instalación



Monitoreo inalámbrico para Generadores de Energía de Emergencia

Modelo 6574

¿Preguntas?

¡La ayuda está muy cerca!

Llame al Departamento de Servicios Técnicos al **1-833-463-6482**

De lunes a viernes de 8:00 a 17:00, horario central

Contenido del kit de monitoreo avanzado

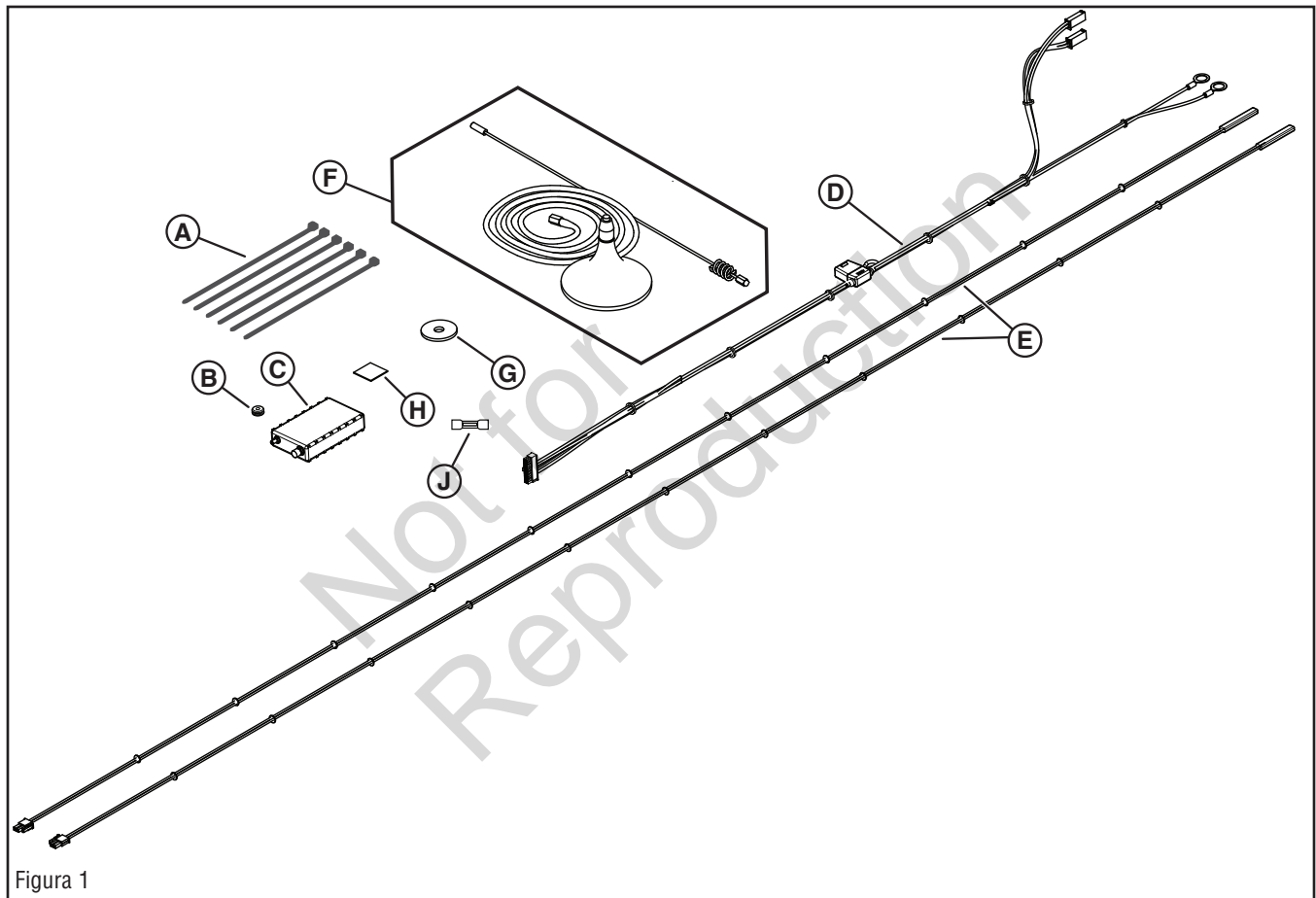
Guarde este documento junto con el manual para el operador del generador una vez finalizada la instalación.

Contenido del kit de infoHub™:

- A•Fijaciones para cable
- B•Arandela de goma
- C•Unidad de celular
- D•Arnés
- E•Sensor de voltaje
- F•Antena
- G•Arandela
- H•Cinta
- J•Empalme

Elementos necesarios para la instalación del kit:

- Perforadora con broca de 3/8 pulgada
- Paños empapados en alcohol u otra solución de limpieza
- Destornilladores estándares y phillips
- Voltímetro o multímetro
- Cortador de cables/Pelacables
- Herramienta para quitar rebabas
- Producto inhibidor de óxido



Instrucciones de seguridad importantes

CONSERVE ESTAS INSTRUCCIONES: Este manual contiene instrucciones importantes que se deben seguir durante la instalación y el mantenimiento del generador y las baterías.

Símbolos de seguridad y significados

⚠ El símbolo de alerta de seguridad indica un posible riesgo para su integridad física. Se usa una palabra de señalización (PELIGRO, ADVERTENCIA o PRECAUCIÓN) junto con el símbolo de alerta para designar un grado o un nivel de gravedad de riesgo. Se puede utilizar un símbolo de seguridad para representar el tipo de peligro. La palabra de señalización AVISO se usa para designar prácticas no relacionadas con lesiones corporales.

⚠ **PELIGRO** indica un riesgo que, si no se evita, ocasionará la muerte o lesiones graves.

⚠ **ADVERTENCIA** indica un riesgo que, si no se evita, podría ocasionar la muerte o lesiones graves.

⚠ **PRECAUCIÓN** indica un riesgo que, si no se evita, podría ocasionar lesiones menores o moderadas.

AVISO hace referencia a una práctica no relacionada con una lesión física.

El fabricante no puede anticipar cada circunstancia que involucre potencialmente un peligro. Por lo tanto, las advertencias incluidas en este manual, así como también las etiquetas y las calcomanías fijadas en la unidad, no son exhaustivas. Si emplea un procedimiento, un método de trabajo o una técnica de operación que el fabricante no recomienda específicamente, debe cerciorarse de que sea seguro para usted y el resto del personal. También debe asegurarse de que el procedimiento, el método de trabajo o la técnica de operación que elija no pongan en riesgo la seguridad del sistema generador.

Símbolos de peligro y sus significados



Descarga eléctrica



Piezas giratorias



Arranque auto

La instalación de este equipo debe cumplir estrictamente con la totalidad de los códigos, los estándares y las normativas vigentes, por lo que solo debe ser llevada a cabo por un electricista con licencia.

⚠ **ADVERTENCIA** Este producto puede exponerlo a sustancias químicas entre las que se incluyen aceite de motor, reconocidas por el Estado de California como causantes de cáncer; y monóxido de carbono, reconocido por el Estado de California como causante de defectos de nacimiento u otros problemas reproductivos. Para obtener más información, visite www.P65Warnings.ca.gov.

⚠ **ADVERTENCIA** Los generadores producen un voltaje peligrosa. Una conexión a tierra defectuosa del generador puede provocar electrocución. No aislar el generador de la energía eléctrica de la red pública podría provocar la muerte o lesiones graves a los trabajadores de la red pública eléctrica, debido a la alimentación inversa de la energía.



- NO toque cables ni receptáculos sin aislamiento.
- NO use el generador si tiene cables eléctricos gastados, rotos, pelados o dañados de cualquier forma.
- NO manipule el generador ni los cables eléctricos si está en contacto con agua, descalzo o si sus manos o pies están mojados.
- Si debe trabajar cerca de una unidad mientras está funcionando, párese en una superficie seca y aislada para reducir el peligro de descarga.
- NO permita que personas no calificadas o niños operen o realicen mantenimiento al generador.
- En caso de un accidente por descarga eléctrica, corte inmediatamente la fuente de energía eléctrica y comuníquese con las autoridades locales. Evite el contacto directo con la víctima.
- Si bien el diseño del generador es seguro, si lo opera de manera imprudente, no realiza el mantenimiento o es descuidado, se pueden producir lesiones o la muerte.
- Permanezca alerta en todo momento mientras trabaja en el equipo. Nunca trabaje en los equipos cuando esté mental o físicamente fatigado.
- Antes de realizar cualquier tipo de mantenimiento en el generador, primero desconecte el cable de la batería que tiene la indicación NEGATIVO, NEG o (-). Cuando termine, vuelva a conectar este cable al final.
- Después de instalar el sistema, el generador puede arrancar sin advertencia cada vez que se produzca un corte de energía. ANTES de trabajar en el equipo y para evitar posibles lesiones, deje el interruptor del sistema del generador siempre en posición de apagado APAGADO, quite el fusible de desconexión del servicio de la caja de desconexión y quite el fusible de 15 A.

⚠ **PRECAUCIÓN** La instalación del fusible de 15 A puede hacer que el motor arranque en cualquier momento sin advertencia, lo que podría ocasionar lesiones menores o moderadas.



- Asegúrese de que el fusible de 15 A se haya retirado del panel de control antes de realizarle mantenimiento a la unidad.
- NO instale este fusible antes de que se haya realizado todo el cableado y se lo haya inspeccionado.

Instalación

Gracias por adquirir este generador de reserva doméstico. Si realiza la instalación según estas instrucciones, el dispositivo de control le proporcionará años de servicio confiable. Conserve el recibo de compra con esta hoja de instrucciones y guárdelos junto con los otros manuales del generador una vez realizada la instalación.

IMPORTANTE: Las ilustraciones incluidas en este documento son únicamente de referencia y es posible que no sean representativas de la unidad real a la que se realiza mantenimiento. La instalación de su unidad será similar.

Descripción del equipo

Detección de voltaje de la red pública - El sensor de detección de voltaje se usa para detectar la presencia o ausencia de voltaje de CA de la red pública. Este sensor se puede instalar en cualquier conductor que alimente voltaje de CA de la red pública, como el cargador de batería, el circuito de entrada del calentador de bloque o los cables de CA de la red pública de la llave de transferencia. Esto enviará la señal de “Corriente de la red pública encendida” y “Corriente de la red pública apagada” a la unidad de monitoreo.

Detección de voltaje del generador - El sensor de detección de voltaje se usa para detectar la presencia o ausencia de voltaje del generador en el lado de salida del disyuntor del generador.

Este kit indicará la condición de “Generador detenido” a la unidad de monitoreo cuando **NO** haya voltaje de CA **del generador o de la red pública** presente.

Este kit indicará “Práctica” cuando esté presente un voltaje de CA de la red pública y un voltaje de CA del generador.

Este kit indicará “Funcionando” cuando esté presente un voltaje de CA del generador y **NO** esté presente un voltaje de CA de la red pública.

Desconecte la energía eléctrica

Antes de realizar cualquier labor de instalación o mantenimiento en el generador, siga **SIEMPRE** los pasos siguientes:

1. Coloque el interruptor del sistema generador en la posición de **APAGADO**.
2. Coloque el disyuntor de circuito del generador en la posición de **APAGADO**.
3. Retire el fusible del generador principal.
4. **El panel de control del generador recibe tensión del suministro eléctrico de la red pública.** Desconecte la energía eléctrica antes de realizar mantenimiento en el panel de control; para esto, retire los fusibles de la llave de transferencia.
5. Desconecte el cable negativo de la batería del terminal negativo de la batería (con la indicación **NEGATIVO**, **NEG** o **[-]**).

AVISO: Solamente se deben usar los orificios para cables existentes a fin de llevar los cables de InfoHub™ cuando sea posible. Excepto por el orificio del cable de la antena, no debería ser necesario perforar otros orificios de acceso.

Perforar el orificio para el cable de la antena

1. Con una broca de 3/8 pulgadas, perfora un orificio en la caja cerca de la ubicación deseada para la unidad celular, de manera que el cable de la antena alcance la unidad (A, Figura 2). El orificio debe estar cerca del techo pero no demasiado, a fin de que no cause interferencia cuando el techo se abra totalmente.

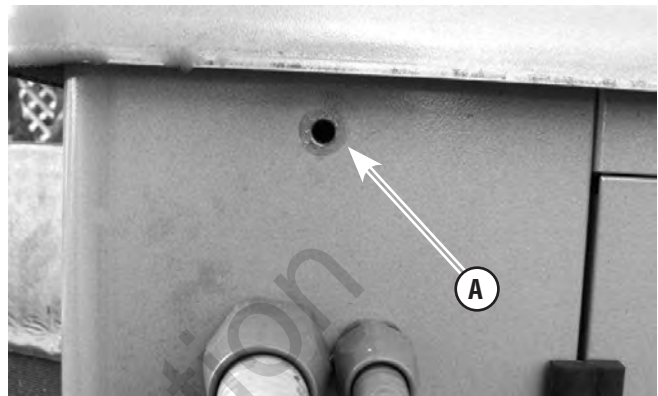


Figura 2

2. Después de perforar el orificio, quite las rebabas y restos de metal de la caja para evitar oxidaciones.
3. Aplique una cantidad pequeña de inhibidor de óxido en el interior y el exterior de los bordes del orificio, y deje secar.

Coloque la antena en el techo

1. Encuentre la arandela de goma suministrada (B, Figura 1) en el kit.
 2. Con cuidado, corte un lado hacia el centro de la arandela de goma. **NO** la corte por la mitad.
 3. Cuando el inhibidor de óxido esté seco en el orificio del cable de la antena, deslice la arandela (B, Figura 1) sobre dicho cable, pase el cable de la antena por el orificio y calce la arandela (B) en el orificio.
- 4A. Coloque la antena magnética (F, Figura 1) en el techo del generador.
- 4B. En el caso de las unidades con techos de plástico o aluminio, use la arandela que se proporciona (G, Figura 1) y la cinta adhesiva (H, Figura 1).
- Busque una ubicación apropiada en el techo. Esta ubicación debe estar cerca del orificio del cable de la antena.
 - Quite la película protectora adhesiva roja de la arandela (G, Figura 1) y presione firmemente en el techo.
 - Coloque la antena magnética (F, Figura 1) en la arandela.

5. En el exterior de la caja, haga un bucle con el cable de la antena y fíjelo con precinto como se muestra (Figura 3) para evitar que ingrese agua a la unidad.



Figura 3

6. Enrute el cable de la antena hacia la ubicación de montaje deseada de la unidad celular.

Montar la unidad celular

Limpie la superficie de montaje para la unidad celular con un paño embebido en alcohol u otra solución de limpieza. Retire la cubierta de la tira adhesiva que se encuentra en la parte posterior de la unidad, luego presiónela con firmeza en su lugar. Conecte el cable de la antena en este momento.

Instalar los sensores

Antes de instalar este detector, la energía de CA debe estar desconectada (apagada) en todos los puntos de conexión.

AVISO El sensor está diseñado para detectar SOLO una fase/ un brazo (1) de voltaje de CA. Si el sensor está demasiado cerca de otra fase/otro brazo, es posible que el sensor detecte el voltaje de la otra fase y cancele la señal. Asegúrese de colocar el sensor de CA en el lado opuesto del conductor y lejos de otras fases.

Detección de voltaje de los sensores de voltaje de CA de la red pública

1. Conecte el sensor de voltaje de CA a un conductor “caliente” aislado que alimente voltaje de red pública normal. Algunos puntos de conexión típicos son la fuente de energía de la red pública para el cargador de batería, el calentador de bloque, los sensores de energía de red pública de ATS o un centro de carga en la caja del generador. Coloque el sensor en el lado externo del conductor. Asegure el sensor con cinta eléctrica y coloque precintos en los cables del sensor según sea necesario.
NO use precintos directamente sobre el sensor ya que podría dañar el panel del sensor.
2. Conecte el sensor al conector de los cables de la unidad celular de “red pública”.

Detección de voltaje del generador

1. Conecte el sensor de voltaje de CA a un conductor “caliente” aislado en el lado de SALIDA del disyuntor de circuito de línea principal del generador. Coloque el sensor en el lado externo del conductor. Asegure el sensor con cinta eléctrica y coloque precintos en los cables del sensor según sea necesario.
NO use precintos directamente sobre el sensor ya que podría dañar el panel del sensor.
2. Conecte el sensor al conector de los cables de la unidad celular del “generador”.

Detección de fallos

1. Encuentre el relé o contacto de fallos que señala una falla en el generador. Consulte el manual del generador para ver la ubicación del relé de fallos.
2. Encuentre los cables de “Falla activa alta” (F-AH), azul, y de “Falla activa baja” (F-AL), amarillo, en la unidad celular.
3. Determine si la señal de falla del generador pasa a TIERRA o +12V.

Si es a TIERRA, corte y pele el cable amarillo de “Falla activa baja” (F-AL) y conéctelo al contacto de fallos.

Si es a +12V, corte y pele el cable azul de “Falla activa alta” (F-AH) y conéctelo al contacto de fallos.

AVISO Es posible que necesite un segundo cable si el de Falla activa baja (F-AL) no está conectado a tierra o si el de Falla activa alta (F-AH) no está conectado al otro lado del contacto de fallos a +12V.

4. Conecte los terminales de anillos a la batería.

- **AVISO** para los generadores Briggs and Stratton® con un controlador GC1031 que conecta el cable azul de “Falla activa alta” (F-AH) con el pasador 6 “DIG O/P D” en la parte trasera del controlador. Asegúrese de que la conexión atornillada esté bien ajustada en el conector.

Cerrar el generador e instalar los fusibles

1. Use los fijadores de cable que se suministran para organizar los cables y fijar el exceso de cable.
2. Instale todos los componentes que se retiraron.
3. Conecte el cable de batería negro al terminal negativo de la batería (indicado como NEGATIVO, NEG, o [-]).
4. Instale los fusibles en la llave de transferencia.
5. Instale el fusible del generador.
6. Coloque el disyuntor de circuito del generador en la posición de **ENCENDIDO**.
7. Ponga el interruptor del sistema generador en **AUTO/Standby**.

Registro y activación

El acceso al portal de usuario de InfoHub™ requiere adquisición de una suscripción. Debe registrarse y activar el sistema de InfoHub™ en línea en www.infohubsp.com. Las guías de usuario y los videos instructivos están disponibles en este sitio.

Deberá leer y cumplir con el Contrato de servicio de suscripción de InfoHub™ antes de activar la suscripción mensual y los Términos de uso y la Política de privacidad antes del acceder al portal InfoHub™. Visite www.briggsinfohub.com para obtener una vista previa de estas políticas.

Para obtener soporte para el registro y la activación, llame al equipo de soporte de InfoHub™ al 1-833-463-6482.

Antes de la instalación, grabe el módulo ESN y P/N en los espacios a continuación. Esta información es necesaria para asignar correctamente el módulo al equipo del portal del usuario.

InfoHub™

ESN:	
P/N:	

Equipo

Marca:	
Tipo de equipo:	
Número de modelo:	
Número de serie	

Requerimientos mínimos del sistema - Portal de usuario

Navegadores que soporta y versiones
<ul style="list-style-type: none">• Chrome - Versión 59.0+• Firefox - Versión 54.0+• Safari - Versión 10.0+• IE - Versión 11.0+• Edge - Versión 15.0+
Resolución de pantalla mínima
<ul style="list-style-type: none">• 1280 x 720
Requerimientos de computación
<ul style="list-style-type: none">• Intel® Core™ i3 o equivalente• 4 GB de RAM• Acceso a Internet
Ajustes especiales
<ul style="list-style-type: none">• Las ventanas emergentes son necesarias para los informes.• La URL utilizada para la herramienta iFrame debe soportar iFrames.

Luces LED de InfoHub™

Las luces LED de estado que figuran al costado del módulo de InfoHub™ (A, figura 3) pueden brindar información sobre la operación del dispositivo.



Figura 3

En caso de necesitar asistencia técnica, tendrá que proporcionar información de las luces LED de estado a soporte técnico (1-833-463-6482).

Bajo configuración estándar, el GPS y las luces LED de comunicaciones están activadas utilizando el cuadro a continuación.

Condición LED	Verde (GPS)	Naranja (Comunicación)
APAGADO*	GPS APAGADO	Módem APAGADO
Parpadeo lento (1 vez por segundo)	No puede adquirir señal de GPS.	No puede adquirir señal de comunicación.
Parpadeo rápido (4 veces por segundo)	Intentando adquirir señal de GPS.	Intentando adquirir señal de comunicación.
3 parpadeos + 1 pausa	No aplicable.	Registrado, pero sin reconocimiento de entrada.
Sólido	GPS adquirido.	Comunicación adquirida.

* Bajo condiciones operativas normales, si las luces LED de GPS y comunicaciones están APAGADAS, se perdió la electricidad del dispositivo. Los dispositivos son configurables. La funcionalidad del módem y las luces LED de estado se pueden desactivar. En caso de que las LED no estén presentes cuando el dispositivo se conecta a la batería, consulte en www.infohubsp.com o comuníquese con soporte técnico para verificar la configuración.

Capacidades de sistema de posición global (GPS)

El sistema InfoHub contiene capacidades de sistema de posición global (GPS). La tecnología de GPS brinda capacidades de geoubicación que pueden usarse para identificar la ubicación específica de una persona y/o del equipo. La tecnología de GPS también activa capacidades de geovalla que permiten el desencadenamiento de respuestas cuando el equipo ingresa o sale de un área en particular y pueden usarse para identificar la ubicación de una persona relacionada con límites predeterminados. Algunas leyes, normas y reglamentaciones federales y estatales pueden requerirle que notifique a los empleados u a otras personas a las que les permita operar o usar su equipo, que el equipo contiene el sistema InfoHub, y que este sistema recopila información sobre su ubicación física o la ubicación física del equipo.

Información de usuario FCC

ESTE EQUIPO FUE PROBADO Y SE CONFIRMÓ QUE CUMPLE CON LOS LÍMITES PARA UN DISPOSITIVO DIGITAL DE CLASE B, EN CUMPLIMIENTO CON LA PARTE 15 DE LAS NORMAS FCC.

ESTOS LÍMITES ESTÁN DISEÑADOS PARA BRINDAR PROTECCIÓN RAZONABLE CONTRA INTERFERENCIAS DAÑINAS EN UNA INSTALACIÓN RESIDENCIAL. ESTE EQUIPO GENERA, USA Y PUEDE IRRADIAR ENERGÍA DE RADIOFRECUENCIA Y, SI NO SE INSTALA Y USA CONFORME A LAS INSTRUCCIONES, PUEDE CAUSAR INTERFERENCIA DAÑINA A LAS COMUNICACIONES DE RADIO. SIN EMBARGO, NO HAY GARANTÍA DE QUE NO HABRÁ INTERFERENCIAS EN UNA INSTALACIÓN EN PARTICULAR. SI ESTE EQUIPO CAUSA INTERFERENCIA DAÑINA A RECEPCIONES DE RADIO O TELEVISIÓN, QUE PUEDE DETERMINARSE ENCENDIENDO Y APAGANDO EL EQUIPO, ALENTAMOS AL USUARIO A INTENTAR CORREGIR LA INTERFERENCIA SIGUIENDO UNA O MÁS DE LAS SIGUIENTES MEDIDAS:

- VUELVA A ORIENTAR O UBICAR LA ANTENA DE RECEPCIÓN.
- AUMENTE LA SEPARACIÓN ENTRE EL EQUIPO Y EL RECEPTOR.
- CONECTE EL EQUIPO EN UN TOMACORRIENTE DE UN CIRCUITO DISTINTO AL QUE SE ENCUENTRA CONECTADO EL RECEPTOR.
- CONSULTE CON EL VENDEDOR O CON UN TÉCNICO DE RADIO/TV CON EXPERIENCIA PARA OBTENER AYUDA.

Información de usuario de IC

ESTE DISPOSITIVO CUMPLE CON LAS RSS EXENTAS DE LICENCIA DE INDUSTRY CANADA. LA OPERACIÓN ESTÁ SUJETA A LAS SIGUIENTES DOS CONDICIONES:

- ESTE DISPOSITIVO NO PUEDE PROVOCAR INTERFERENCIA; Y
- ESTE DISPOSITIVO DEBE ACEPTAR CUALQUIER INTERFERENCIA RECIBIDA, INCLUSIVE LA INTERFERENCIA QUE PUEDA CAUSAR UN FUNCIONAMIENTO NO DESEADO.

NORMAS DE GARANTÍA DE PRODUCTOS BRIGGS & STRATTON

GARANTÍA LIMITADA

Briggs & Stratton se compromete a que, durante el período de garantía especificado a continuación, reparará o sustituirá, de manera gratuita, cualquier pieza con defectos de material o fabricación, o de ambos. El comprador deberá correr con los gastos de transporte del producto que envíe para reparación o reemplazo al amparo de esta garantía. Esta garantía tiene vigencia y está sujeta a las condiciones que se establecen más adelante. Para el servicio de garantía, busque el distribuidor de servicio autorizado más cercano en el mapa localizador de distribuidores en [\[insert website address\]](#). El comprador debe ponerse en contacto con el distribuidor autorizado y poner el producto a disposición del mismo para que lo inspeccione y lo pruebe.

No existe otra garantía expresa. Las garantías implícitas, inclusive aquellas de comerciabilidad y de idoneidad para un propósito en particular, se limitan al período de garantía expresado abajo, o hasta los límites permitidos por la ley. La responsabilidad por daños fortuitos o indirectos está excluida en tanto lo permita la ley. Algunos países o estados no permiten limitar la duración de una garantía implícita ni excluir o limitar los daños secundarios y derivados. Por tanto, es posible que las limitaciones y exclusiones mencionadas no sean aplicables en su caso. Esta garantía le otorga derechos legales específicos, y también podría tener otros que varían según el estado o el país.**

PERÍODO DE GARANTÍA

Artículo	Uso particular	Uso comercial
Accesorio/Aditamento/Equipo	12 meses	Ninguno

** En Australia, nuestros productos están cubiertos por garantías ineludibles de acuerdo con la legislación sobre consumo de este país. Tiene derecho a un recambio o devolución en caso de avería grave y a una compensación por las posibles pérdidas o daños razonables previsible. Asimismo, si la avería no es grave, tiene derecho a que se reparen o reemplacen los productos si no tienen una calidad aceptable. Para servicio de garantía, localice al distribuidor de servicio autorizado más cercano con nuestro mapa en BRIGGSandSTRATTON.COM, llame al 1300 274 447, o bien, envíe un correo electrónico a salesenquires@briggsandstratton.com.au, o escriba a Briggs & Stratton Australia Pty Ltd, 1 Moorebank Avenue, NSW, Australia, 2170.

El período de garantía comienza en la fecha de compra por el primer consumidor o usuario comercial final. «Uso particular» significa uso doméstico residencial personal por un consumidor minorista. «Uso comercial» significa los demás usos, lo que incluye el uso para propósitos comerciales, generar ingresos o alquiler. Una vez que el producto se haya usado para fines comerciales, de ahí en adelante se considerará uso comercial a efectos de esta garantía.

A fin de garantizar una pronta y completa cobertura de la garantía, registre su producto en el sitio web que se muestra arriba o en www.onlineproductregistration.com.

Guarde el recibo comprobante de compra. Si no se proporciona una prueba de la fecha de compra inicial en el momento de solicitar servicio de garantía, se utilizará la fecha de fabricación del producto para determinar el período de garantía. No es necesario el registro del producto para obtener el servicio de garantía de los productos Briggs & Stratton.

ACERCA DE LA GARANTÍA

El servicio de garantía solo está disponible a través de los distribuidores de servicio autorizados de [\[insert brand\]](#). La mayor parte de las reparaciones bajo garantía se atienden de manera rutinaria, pero algunas veces las solicitudes de reparaciones bajo garantía podrían no ser apropiadas. Esta garantía SÓLO cubre defectos en materiales y mano de obra. No cubre los daños ocasionados por un uso no adecuado o un mal uso, un mantenimiento o unas reparaciones inadecuadas ni el desgaste y la rotura propios del uso.

Uso no adecuado y mal uso: el uso correcto y para el que se ha diseñado este equipo se describe en el manual del usuario. Si el producto no se usa de la manera que se describe en el manual del usuario o si el producto se usa después de que haya resultado dañado, quedará anulada la garantía. La garantía queda anulada si se ha borrado el número de serie del producto o el producto ha sido modificado de alguna manera, o si el producto presenta indicios de haber sido usado incorrectamente, por ejemplo, daños producidos por un impacto o daños producidos por corrosión química/agua.

Mantenimiento o reparaciones inadecuadas: el producto debe someterse a labores de mantenimiento de acuerdo con los procedimientos y plazos establecidos en el manual del usuario, y para el mantenimiento y las reparaciones se deben utilizar piezas Briggs & Stratton originales o equivalentes. La garantía no cubre los daños ocasionados por la falta de mantenimiento o el uso de piezas no originales.

Desgaste normal: al igual que otros dispositivos mecánicos, el producto está sujeto a desgaste incluso si se realiza un mantenimiento correcto. Esta garantía no cubrirá la reparación cuando el uso normal haya agotado la vida útil de una pieza o del aparato. Los accesorios y elementos de mantenimiento como filtros, correas, hojas cortantes y pastillas de freno (excepto las pastillas de freno de los motores) no están cubiertos por la garantía por sus propias características, a no ser que la causa sea un defecto del material o de fabricación.

Otras exclusiones: esta garantía excluye cualquier daño provocado por accidente, uso incorrecto, modificaciones, alteraciones, mantenimiento incorrecto, congelación o deterioro producido por productos químicos. También excluye cualquier complemento o accesorio que no se incluyera en el paquete original del producto. Esta garantía no incluye equipos o motores usados, reacondicionados, de segunda mano o de demostración. Esta garantía excluye los fallos debidos a hechos fortuitos y a otros acontecimientos de fuerza mayor que escapen al control del fabricante.



Instructions d'installation



Moniteur de surveillance sans fil pour groupe électrogène fixe

Modèle 6574

Des questions?

De l'aide au bout des doigts!

Téléphoner au Service technique au **1 833 463-6482**
du lundi au vendredi de 8 h à 17 h, heure normale du Centre

Contenu de la trousse du dispositif avancé de surveillance

Garder cet document avec le manuel d'utilisation de la génératrice une fois que installation est complète.

Contenu de la trousse infoHub™ :

- A •Attaches à fils
- B•Ceillet en caoutchouc
- C•Appareil cellulaire
- D•Faisceau
- E•Capteur de tension
- F•Antenne
- G•Rondelle
- H•Ruban
- J•Épissure

Articles nécessaires pour l'installation de la trousse :

- Perceuse avec une mèche de 3/8 pouce
- Tampon imbibé d'alcool ou autre solution de nettoyage
- Tournevis à pointes plate et cruciforme
- Voltmètre ou multimètre
- Coupe-fils/dénudeur de fils
- Outil pour ébavurer
- Inhibiteur de rouille

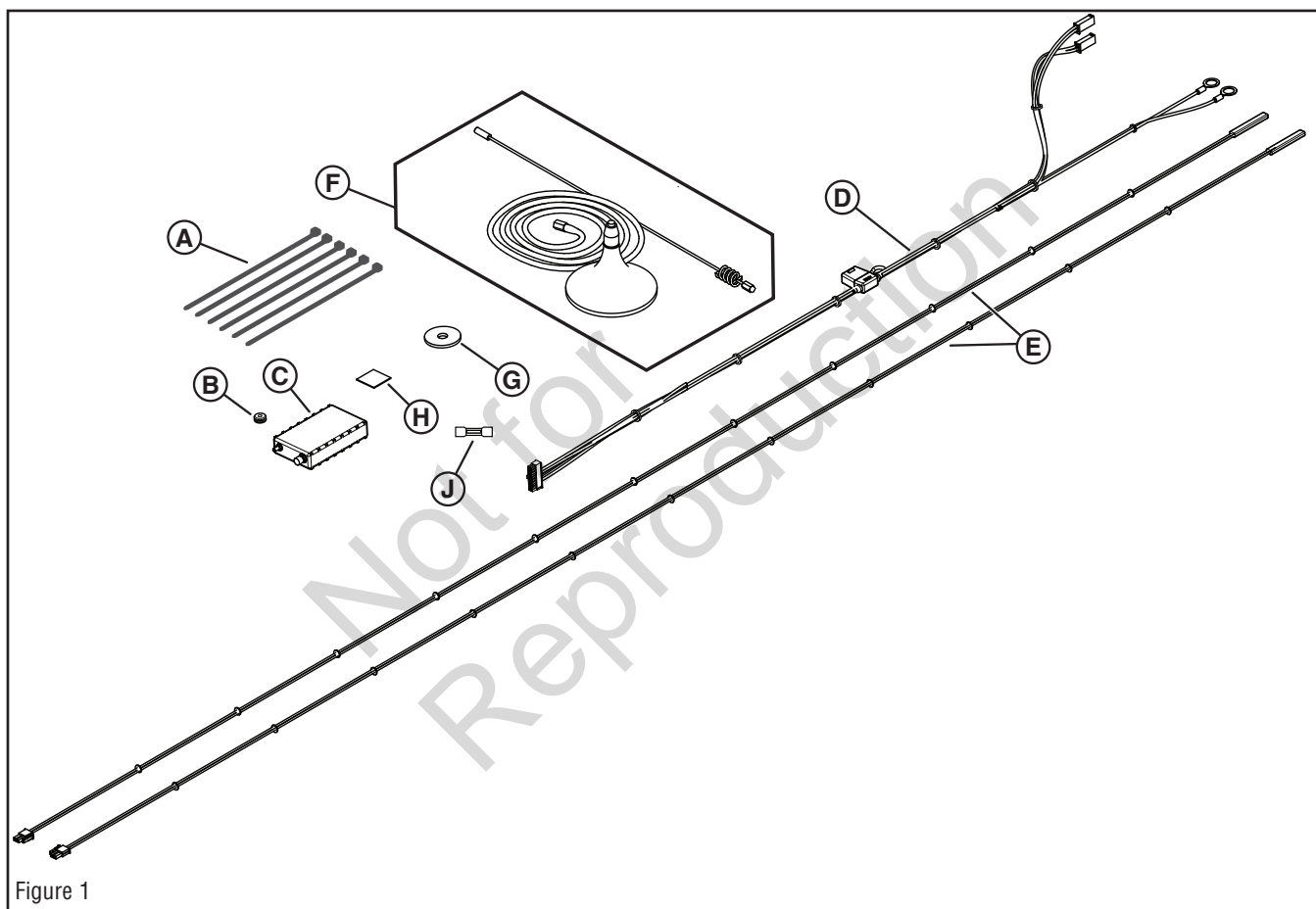


Figure 1

Consignes de sécurité importantes

CONSERVEZ CES DIRECTIVES – Ce manuel renferme d'importantes directives qu'il faut suivre durant l'installation et l'entretien de la génératrice et des batteries.

Les symboles de sécurité et leur signification

⚠ Le symbole d'alerte de sécurité indique un risque de blessure corporelle possible. Un mot-indicateur (DANGER, AVERTISSEMENT ou ATTENTION) est utilisé avec le symbole d'alerte pour indiquer la probabilité ou la gravité du danger. Un symbole de sécurité peut être utilisé pour représenter le type de danger. Le mot-indicateur AVIS est utilisé pour faire référence aux conditions d'utilisation non associées à des blessures corporelles.

⚠ **DANGER** indique un danger qui, si non évité, provoquera la mort ou des blessures graves.

⚠ **AVERTISSEMENT** indique un danger qui, si non évité, peut causer la mort ou des blessures graves.

⚠ **ATTENTION** indique un danger qui, si non évité, peut causer une blessure mineure ou modérée.

AVIS Traite des pratiques qui ne sont pas liées aux blessures corporelles

Le fabricant ne peut anticiper toutes les circonstances potentielles pouvant comporter un danger. Par conséquent, les avertissements figurant au présent manuel ainsi que sur les plaques et les décalques apposés sur l'unité, ne sauraient englober l'ensemble des possibilités. Si vous suivez une procédure, une méthode de travail ou une technique d'opération non spécifiquement recommandée par le fabricant, vous devez vous assurer qu'elle ne compromet ni votre sécurité, ni celle des autres. Vous devez également vous assurer que la procédure, la méthode de travail ou la technique d'utilisation que vous choisissez ne rend pas la génératrice dangereuse.

Renseignements et symboles de danger



Décharge électrique



Pièces rotatives



Démarrage automatique

Seuls des électriciens qualifiés et licenciés devraient tenter l'installation de cet équipement, qui doit être strictement conforme aux codes, normes et règlements applicables.

⚠ **AVERTISSEMENT** Ce produit peut vous exposer à des agents chimiques, y compris de l'huile à moteur usée, connus dans l'État de la Californie pour causer le cancer, ainsi que le monoxyde de carbone, connu dans l'État de la Californie pour causer des malformations congénitales ou les dommages à l'appareil reproducteur. Pour de plus amples renseignements, visitez www.P65Warnings.ca.gov.

⚠ **AVERTISSEMENT** La génératrice produit une tension dangereuse.



Si la génératrice n'est pas mise à la terre comme il se doit, il y a risque d'électrocution. Le fait de ne pas isoler la génératrice du service d'alimentation en électricité peut causer des blessures ou même le décès d'employés du service de distribution électrique, à la suite de la rétroaction de l'énergie électrique.

- NE PAS toucher aux fils ou à des prises dénudées.
- N'utilisez PAS la génératrice avec des rallonges électriques usées, effilochées, dénudées ou autrement endommagées.
- NE PAS manipuler la génératrice ou les cordons électriques les pieds dans l'eau ou les pieds nus ou lorsque les mains ou les pieds sont mouillés.
- Si vous devez travailler aux environs d'une unité alors qu'elle est en marche, placez-vous sur une surface sèche isolée afin de réduire les risques de décharge électrique.
- NE PAS laisser les personnes non qualifiées ou les enfants opérer ou entretenir la génératrice.
- En cas d'accident causé par une décharge électrique, procéder immédiatement à la mise hors tension de l'alimentation électrique et communiquer avec les autorités locales. Évitez tout contact direct avec la victime.
- En dépit de la conception sécuritaire de la génératrice, le fait d'opérer l'équipement de façon imprudente, de ne pas l'entretenir ou d'être négligent peut causer des blessures et la mort.
- Demeurez alerte en tout temps lorsque vous travaillez sur cet équipement. Ne travaillez jamais sur l'équipement si vous êtes fatigué physiquement ou mentalement.
- Avant de procéder à tout entretien sur la génératrice, débranchez tout d'abord le câble de batterie identifié par NÉGATIF, NEG ou (-). Rebrancher le câble en dernier, après avoir terminé.
- Une fois que votre système est installé, la génératrice peut se lancer et démarrer sans avertissement lorsque survient une panne électrique. AVANT de travailler sur l'équipement, pour prévenir des blessures potentielles, réglez toujours l'interrupteur de système de la génératrice à la position ARRÊT, retirez le fusible de déconnexion de l'alimentation de service du boîtier de déconnexion ET enlevez le fusible de 15 A.

⚠ **ATTENTION** L'installation d'un fusible de 15 A peut provoquer un démarrage du moteur en tout temps, sans avertissement, et entraîner des blessures mineures à modérées.



Prenez note que le fusible de 15 A a été retiré du tableau de commande pour le service.

- N'installez PAS ce fusible avant que les travaux de câblage ne soient terminés et inspectés.

Installation

Merci d'avoir acheté cet accessoire de groupe électrogène. Lorsque installé conformément aux directives qui suivent, vous pourrez compter sur ce dispositif de surveillance durant des années. Conservez votre preuve d'achat avec ce feuillet d'instructions et le manuel d'utilisation de votre génératrice après l'installation.

IMPORTANT : Les illustrations présentées dans ce document ne sont qu'à titre de référence et peuvent ne pas représenter l'appareil faisant l'objet de l'entretien. Votre installation sera toutefois semblable.

Description de l'équipement

Détection de tension d'alimentation de service – Le détecteur de tension est utilisé pour détecter la présence ou l'absence de tension d'alimentation de service CA. Ce détecteur peut être installé sur tout conducteur qui alimente en tension de service d'alimentation CA comme un chargeur de batterie, un circuit d'entrée de bloc de chauffage ou les fils d'alimentation de service CA d'un commutateur de transfert. Ceci enverra un signal à l'appareil de surveillance indiquant « Alimentation de service activée » et « Alimentation de service désactivée ».

Détection de tension de la génératrice – Le détecteur de tension sert à détecter la présence ou l'absence de tension à la génératrice sur le côté sortie du disjoncteur de la génératrice. Cet ensemble signalera une condition de « Générateur arrêté » à l'appareil de surveillance lorsqu'il n'y a PAS de tension CA à la génératrice ou au service.

Cet ensemble signalera qu'il y a une « Exercice » lorsqu'il y a une tension de service CA et une tension CA à la génératrice.

Cet ensemble signalera qu'il y a une « Exécution » lorsqu'il y a une tension CA à la génératrice et qu'il n'y a PAS de tension de service CA.

Débranchement de l'alimentation

Avant de procéder à l'entretien de la génératrice, toujours suivre les étapes suivantes.

1. Placer l'interrupteur de la génératrice en position **ARRÊT**.
2. Régler le disjoncteur principal de la génératrice à la position **ARRÊT**.
3. Retirer le fusible de la génératrice principale.
4. **De la tension de service est présente au tableau de commande de la génératrice.** Retirer les fusibles du commutateur de transfert pour déconnecter l'alimentation avant d'effectuer l'entretien du tableau de commande.
5. Débranchez le câble négatif de la batterie de la borne négative de la batterie marquée NEGATIF, NEG ou (-).

AVIS : Seuls les trous de faisceaux en place doivent être utilisés pour acheminer le faisceau du Infohub™ lorsque possible. À l'exception du trou pour le câble de l'antenne, il ne devrait pas être nécessaire de percer d'autres trous d'accès.

Perçage de trou pour le câble de l'antenne

1. En utilisant une mèche de 3/8 pouce, percer un trou dans le boîtier près de l'emplacement prévu pour l'appareil cellulaire de sorte que le câble de l'antenne atteigne l'appareil (A, Figure 2). Le trou doit être placé près du toit, mais pas trop près en raison des interférences produites lorsque le toit est complètement ouvert.

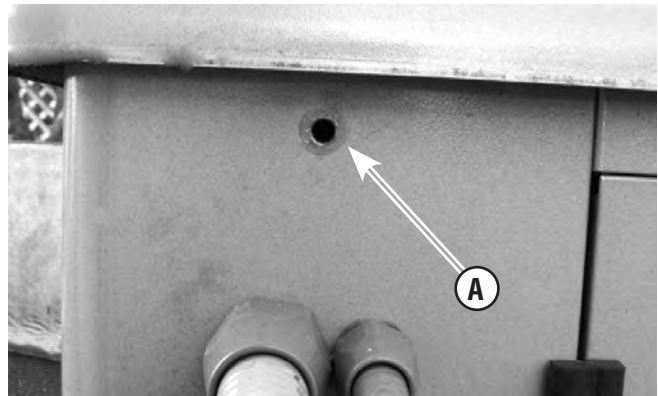


Figure 2

2. Après avoir percé le trou, retirez les ébarbures et les copeaux de métal du boîtier pour éviter la formation de rouille.
3. Appliquez une petite quantité d'inhibiteur de rouille à l'intérieur et à l'extérieur des rebords des trous et laissez sécher.

Montage de l'antenne au toit

1. Repérer l'œillet en caoutchouc (B, Figure 1) fourni dans l'ensemble.
 2. Coupez délicatement d'un côté vers le centre de l'œillet en caoutchouc. NE PAS couper en deux parties.
 3. Lorsque l'inhibiteur de rouille est sec dans le trou du câble de l'antenne, glissez l'œillet en caoutchouc (B, Figure 1) sur le câble de l'antenne, passer le câble de l'antenne par le trou et placer l'œillet en caoutchouc (B) dans le trou.
- 4A. Installer l'antenne magnétique (F, Figure 1) sur le dessus de la génératrice.
- 4B. Pour les appareils avec toit en plastique ou en aluminium, utiliser la rondelle (G, Figure 1) et l'adhésif fournis (H, Figure 1).
- Trouvez l'emplacement approprié pour le toit. Cet emplacement doit être près du trou de câble de l'antenne.
 - Retirer la pellicule de protection adhésive rouge de la rondelle (G, Figure 1) et appuyer fermement pour fixer le toit.
 - Placer l'antenne magnétique (F, Figure 1) sur la rondelle.

- À l'extérieur du boîtier, faire une boucle et fixer le câble de l'antenne avec une attache comme illustré (Figure 3) pour aider à empêcher l'eau de pénétrer dans l'appareil.



Figure 3

- Faites passer le câble de l'antenne vers l'emplacement de montage prévu de l'appareil cellulaire.

Installation de l'appareil cellulaire

Nettoyez la surface de montage pour l'appareil cellulaire avec un tampon imbibé d'alcool ou une autre solution de nettoyage. Enlevez la pellicule protectrice de la bande adhésive au dos de la carte, puis appuyez fermement sur l'unité en place. Connectez le câble de l'antenne à ce moment.

Installation des détecteurs

Avant d'installer ce détecteur, le courant d'alimentation CA doit être débranché (coupé) à tous les points de connexion.

AVIS Le détecteur est conçu pour détecter SEULEMENT une (1) phase/branche de la tension CA. Si le détecteur est trop proche d'une autre phase/branche, il peut capter la tension d'une autre phase et annuler le signal. Veiller à mettre le détecteur CA sur le côté opposé au conducteur et éloigné des autres phases.

Détection de tension d'alimentation de service de détecteurs de tension CA

- Fixer le détecteur de tension CA à un conducteur sous tension isolé qui fournit une tension de service normale. Les points de connexion typiques sont la source d'alimentation de service pour le chargeur de batterie, le chauffe-moteur, la détection d'alimentation de service provenant de l'ATS ou du centre de charge dans l'enceinte de la génératrice. Mettre le détecteur sur l'extérieur du conducteur. Fixer le détecteur avec du ruban électrique et attacher les câbles du détecteur avec un collier de serrage, au besoin.

NE PAS utiliser de collier de serrage directement sur le détecteur, ce qui risque d'endommager la carte du détecteur.

- Connecter le détecteur au connecteur de « service utilitaire » de faisceau cellulaire.

Détection de tension de la génératrice

- Fixer le détecteur de tension CA au conducteur isolé sous tension sur le côté SORTIE du disjoncteur de la ligne principale de la génératrice. Mettre le détecteur sur l'extérieur du conducteur. Fixer le détecteur avec du ruban électrique et attacher les câbles du détecteur avec un collier de serrage, au besoin.

NE PAS utiliser de collier de serrage directement sur le détecteur, ce qui risque d'endommager la carte du détecteur.

- Connecter le détecteur au faisceau cellulaire du connecteur de la « génératrice ».

Détection de défaillance

- Trouver le relais ou contact qui indique une défaillance de la génératrice. Consulter le manuel de la génératrice pour l'emplacement du relais de défaillance.
- Trouver les câbles bleu « Fault Active High » (F-AH) et jaune « Fault Active Low » (F-AL) sur le faisceau cellulaire.
- Déterminer si le signal de défaillance provenant de la génératrice passe à MASSE ou à + 12 V.

S'il s'agit de MASSE, couper et dénuder le câble jaune « Fault Active Low » (F-AL) et le connecter au contact de défaillance.

S'il s'agit de + 12 V, couper et dénuder le câble bleu « Fault Active High » (F-AH) et le connecter au contact de défaillance.

AVIS Un deuxième câble pourrait être nécessaire si le câble Fault Active Low (F-AL) n'est pas connecté à la masse ou si le câble Fault Active High (F-AH) n'est pas connecté à l'autre côté du contact de défaillance + 12 V.

- Connecter les crosses à anneau à la batterie.

- AVIS** concernant les génératrices Briggs and Stratton® avec un contrôleur GC1031 : connecter le fil bleu « Fault Active High » (F-AH) à la broche 6 « DIG O/P D » à l'arrière du contrôleur. Veiller à ce que la connexion à vis soit bien serrée sur le connecteur.

Fermer la génératrice et installer les fusibles

- Utiliser les attaches fournies pour organiser les faisceaux de câbles et pour fixer la longueur excessive de câbles.
- Installer toutes les composantes retirées.
- Brancher le câble négatif de la batterie à la borne négative de la batterie marquée NÉGATIF, NÉG, ou (-).
- Installer les fusibles dans le commutateur de transfert.
- Installer le fusible de la génératrice.
- Régler le disjoncteur de la génératrice à **MARCHE**.
- Régler le commutateur de la génératrice à **AUTO/Auxiliaire**.

Inscription et activation

L'accès au portail d'utilisateur InfoHub™ nécessite l'achat d'un abonnement. Vous devez inscrire et activer le système InfoHub™ sur www.fohubsp.com. Des guides d'utilisation et des vidéos éducatives sont offerts sur ce site.

Vous devrez lire et accepter le contrat de service de l'abonnement à InfoHub™ avant l'activation de l'abonnement mensuel, ainsi que les conditions générales d'utilisation et la politique de confidentialité avant l'accès au portail InfoHub™. Veuillez visiter le www.briggsinfohub.com pour consulter ces politiques.

Pour obtenir de l'aide relative à l'inscription et à l'activation, appeler l'équipe de soutien à la clientèle d'InfoHub™ au 1 833 463-6482.

Avant l'installation, inscrivez le ESN et le P/N du module dans les espaces ci-dessous. Ces renseignements sont requis pour correctement attribuer le module à l'équipement dans le portail d'utilisateur.

InfoHUB™

ESN :	
P/N :	

Équipement

Marque :	
Type d'équipement :	
Numéro de modèle :	
Numéro de série	

Exigences système minimales – Portail d'utilisateur

Navigateurs compatibles et versions
<ul style="list-style-type: none">• Chrome – Version 59.0+• Firefox – Version 54.0+• Safari – Version 10.0+• IE – Version 11.0+• Edge – Version 15.0+
Résolution d'affichage minimale
<ul style="list-style-type: none">• 1280 x 720
Configuration de l'ordinateur requise
<ul style="list-style-type: none">• Intel® Core™ i3 ou équivalent• 4 Go de RAM• Accès à Internet
Réglages spéciaux
<ul style="list-style-type: none">• L'activation des fenêtres surgissantes est requise pour les rapports.• L'adresse URL utilisée pour l'outil iFrame doit prendre en charge les iFrame.

DEL InfoHub™

Les témoins d'état à DEL (A, Figure 3) sur le côté du module InfoHub™ peuvent fournir des renseignements précieux sur le fonctionnement de l'appareil.



Figure 3

Si vous avez besoin d'une assistance technique, vous devrez peut-être fournir les renseignements sur l'état de la DEL au soutien technique (1 833 463-6482).

Dans des configurations normales, les témoins à DEL du système de localisation GPS et des communications s'activent selon le tableau ci-dessous.

État de la DEL	Vert (GPS)	Orange (communication)
ARRÊT*	GPS ARRÊTÉ	Modem ARRÊTÉ
Clignotement lent (1 par seconde)	Impossible d'acquérir le signal GPS.	Impossible d'acquérir le signal de communication.
Clignotement rapide (4 par seconde)	Tentative d'obtention du signal GPS.	Tentative d'obtention du signal de communication.
3 clignotements + 1 pause	Sans objet.	Autorisé, mais aucun accusé de réception entrant reçu.
Solide	Signal GPS acquis.	Signal de communication acquis.

*Dans des conditions de fonctionnement normales, l'alimentation de l'appareil est perdue si les témoins à DEL du GPS et des communications sont ARRÊTÉ. Les appareils sont configurables. La fonctionnalité de modem et les témoins d'état à DEL peuvent être désactivés. Si les DEL ne s'allument pas lorsque l'appareil est connecté à votre batterie, visiter le www.infohubsp.com ou communiquer avec le soutien technique pour vérifier la configuration.

Capacités du système de localisation GPS

Le système InfoHub est doté de fonctionnalités du système de localisation (GPS). La technologie GPS fournit des fonctionnalités de géolocalisation permettant de localiser l'emplacement de la personne ou de l'équipement. Elle offre

également des fonctionnalités de géopérage qui permettent de déclencher des réponses lorsque l'équipement entre ou quitte une zone précise. Celle-ci peut aussi être utilisée pour identifier l'emplacement de la personne relativement à une zone déterminée. Certains lois, règles et règlements fédéraux et provinciaux peuvent exiger d'informer les employés (ou d'autres personnes qui sont autorisées à utiliser l'équipement) que l'équipement contient le système InfoHub recueillant des renseignements sur leur emplacement ou l'emplacement de l'équipement.

Renseignements relatifs à la FCC pour l'utilisateur

CET ÉQUIPEMENT A ÉTÉ TESTÉ ET DÉCLARÉ CONFORME AUX LIMITES D'INTERFÉRENCES RELATIVES AUX APPAREILS NUMÉRIQUES DE CLASSE B DE LA SECTION 15 DU RÈGLEMENT DE LA FCC.

CES LIMITES SONT ÉLABORÉES DANS LE BUT DE FOURNIR UNE PROTECTION RAISONNABLE CONTRE LES INTERFÉRENCES NUISIBLES DANS UNE INSTALLATION RÉSIDENTIELLE. CET ÉQUIPEMENT GÉNÈRE, UTILISE ET ÉMET DES RADIOFRÉQUENCES ET PEUT CAUSER DES INTERFÉRENCES NUISIBLES AUX COMMUNICATIONS RADIO LORSQU'IL N'EST PAS INSTALLÉ ET UTILISÉ CONFORMÉMENT À CES DIRECTIVES. CÉPENDANT, NOUS NE POUVONS PAS VOUS GARANTIR QUE DES INTERFÉRENCES NE SE PRODUIRONT PAS DANS CERTAINES INSTALLATIONS. SI CET ÉQUIPEMENT CAUSE DES INTERFÉRENCES NUISIBLES À LA RÉCEPTION DE LA RADIO OU DE LA TÉLÉVISION, CE QUI PEUT ÊTRE DÉTERMINÉ EN ALLUMANT ET ÉTEIGNANT L'ÉQUIPEMENT, ESSAYEZ D'ÉLIMINER CES INTERFÉRENCES EN EFFECTUANT UNE OU PLUSIEURS DES MESURES SUIVANTES :

- RÉORIENTEZ OU DÉPLACEZ L'ANTENNE RÉCEPTRICE.
- AUGMENTEZ LA DISTANCE ENTRE L'ÉQUIPEMENT ET LE RÉCEPTEUR.
- NE BRANCHEZ PAS L'ÉQUIPEMENT SUR UNE PRISE DU MÊME CIRCUIT SUR LEQUEL EST BRANCHÉ LE RÉCEPTEUR.
- COMMUNIQUEZ AVEC LE CONCESSIONNAIRE OU UN TECHNICIEN SPÉCIALISTE DES RADIOS ET TÉLÉVISIONS POUR OBTENIR DE L'AIDE.

Renseignements d'IC pour l'utilisateur

CE DISPOSITIF EST CONFORME AU CAHIER DES CHARGES SUR LES NORMES RADIOÉLECTRIQUES (CNR) POUR LES APPAREILS RADIO EXEMPTS DE LICENCE. LE FONCTIONNEMENT EST ASSUJETTI AUX DEUX CONDITIONS SUIVANTES :

- CE DISPOSITIF POURRAIT NE PAS CAUSER D'INTERFÉRENCES; ET
- CE DISPOSITIF NE DOIT PAS GÉNÉRER D'INTERFÉRENCES, INCLUANT LES INTERFÉRENCES POUVANT CAUSER UN FONCTIONNEMENT NON DÉSIRÉ.

POLITIQUE DE GARANTIE DES PRODUITS BRIGGS & STRATTON

GARANTIE LIMITÉE

Briggs & Stratton garantit la réparation ou le remplacement gratuit, pendant la période de garantie spécifiée ci-dessous, de toute pièce présentant des vices de matériaux ou de fabrication. Les frais de transport du produit à réparer ou remplacer seront, dans le cadre de cette garantie, réglés par l'acheteur. Cette garantie court sur les périodes énoncées ci-dessous et est assujettie aux conditions énoncées ci-dessous. Pour trouver le distributeur autorisé le plus proche afin d'obtenir les services couverts par la garantie, veuillez consulter notre carte de localisation de distributeur sur [\[insert website address\]](#). L'acheteur doit contacter le distributeur autorisé, puis lui apporter le produit à des fins d'inspection et de test.

Il n'y a pas d'autre garantie expresse. Les garanties implicites, y compris celles de qualité marchande et d'adaptation à un emploi particulier, sont limitées à une année à partir de la date d'acquisition ou conformément à ce qui est prévu par la loi. La responsabilité pour les dommages consécutifs ou indirects est exclue dans la mesure où l'exclusion est prévue par la loi. Certains états ou pays ne permettent pas les limitations de durée de la garantie implicite. Certains états ou pays n'autorisent pas l'exclusion ou la limitation des dommages consécutifs ou indirects. Dans ce cas, la limitation ci-dessus ne s'applique pas à votre cas. La présente garantie vous offre des droits juridiques spécifiques et il se peut que vous ayez d'autres droits qui varient d'une juridiction à une autre, ou d'un pays à un autre.**

PÉRIODE DE GARANTIE

Élément	Usage privé	Usage professionnel
Accessoire/Outil/Équipement	12 mois	Aucun

** En Australie - Nos produits sont livrés avec des garanties qui ne peuvent pas être exclues d'après les droits de la consommation australiens. Vous pouvez obtenir un remplacement ou un remboursement en cas de défaillance majeure ou en compensation de toute perte ou de tout dommage survenu dans le cadre des conditions raisonnablement prévisibles d'utilisation du produit. Vous pouvez également bénéficier de la réparation ou du remplacement des produits si la qualité de ces derniers n'est pas acceptable et si le défaut n'entraîne pas de défaillance majeure. Pour trouver le distributeur autorisé le plus proche afin d'obtenir les services couverts par la garantie, veuillez consulter notre carte de localisation de distributeur sur [\[insérer l'adresse du site Web\]](#), composer le 1300 274 447, ou envoyer une demande par voie électronique à l'adresse salesenquires@briggsandstratton.com.au, Briggs & Stratton Australia Pty Ltd, 1 Moorebank Avenue, NSW, Australie, 2170.

La période de garantie commence à la date de l'achat par l'acheteur au détail ou commercial, initial. « Utilisation grand public » fait référence à un emploi dans une résidence individuelle par un particulier. « Utilisation commerciale » indique toutes les autres utilisations possibles, y compris commerciales, créatrices de revenus ou locatives. Une fois l'équipement utilisé à des fins commerciales, il est considéré comme un produit d'utilisation commerciale dans le cadre de cette garantie.

Afin d'assurer une couverture totale et rapide de la garantie, enregistrez votre produit sur le site Web indiqué ci-dessus ou sur www.onlineproductregistration.com.

Conservez votre reçu d'achat comme preuve. Si vous n'avez pas de preuve de la date de l'achat initial au moment de la demande d'un service en vertu de la garantie, la date de fabrication du produit sera utilisée pour déterminer la période de garantie. L'enregistrement du produit n'est pas requis pour obtenir un service en vertu de la garantie pour les produits Briggs & Stratton.

AU SUJET DE LA GARANTIE

Un service en vertu de la garantie n'est disponible que par l'intermédiaire des distributeurs autorisés [\[insert brand\]](#). Parfois, les demandes de réparations dans le cadre de la garantie peuvent ne pas être pertinentes. La présente garantie couvre uniquement les vices de matériaux ou de fabrication. Elle ne couvre pas les dommages causés par une utilisation inappropriée ou abusive, un entretien ou une réparation inapproprié, ou l'usure normale.

Utilisation inappropriée ou emploi abusif – L'emploi approprié comme il est prévu pour ce produit est décrit dans le mode d'emploi. L'utilisation du produit d'une façon non décrite dans le manuel d'utilisation ou l'emploi du produit après qu'il a été endommagé a pour effet d'annuler la garantie. Vous ne pourrez vous prévaloir de la garantie si le numéro de série du produit a été retiré, si le produit a été modifié d'une manière quelconque ou s'il présente des preuves d'utilisation abusive, telles que des marques de coups ou de corrosion par l'eau ou des produits chimiques.

Réparation ou entretien inapproprié – Ce produit doit être entretenu selon les procédures et les programmes d'entretien décrits dans le manuel de l'utilisateur. En outre, il doit être dépanné ou réparé en utilisant des pièces d'origine Briggs & Stratton ou des pièces équivalentes. Les dommages causés par un manque d'entretien ou l'utilisation de pièces n'étant pas d'origine, ne sont pas couverts par la garantie.

Usure normale – Comme tous les appareils mécaniques, votre machine est sujette à l'usure même en cas d'entretien approprié. Cette garantie ne couvre pas la réparation de pièces ou d'équipements usés par un usage normal. Les articles d'entretien et d'usure, tels que filtres, courroies, lames et plaquettes de freins (les plaquettes de frein moteur sont couvertes) ne sont pas couverts par la garantie, uniquement en raison de leur caractéristique d'usure, à moins que la cause ne soit due à des vices de matériaux ou de fabrication.

Autres exclusions – Cette garantie ne couvre pas les dégâts dus à des accidents, des abus, des modifications, des altérations ou un entretien incorrect, ni les détériorations provoquées par le gel ou par une agression chimique. Les pièces ou accessoires rattachés ne faisant pas partie du conditionnement d'origine du produit ne sont également pas couverts. Cette garantie ne comporte pas les moteurs ou équipement de démonstration, usagés, d'occasion ou remis à neuf. Cette garantie ne couvre pas les détériorations provoquées par des catastrophes naturelles ou autres cas de force majeure dépassant le contrôle des fabricants.